

TABLE OF CONTENTS

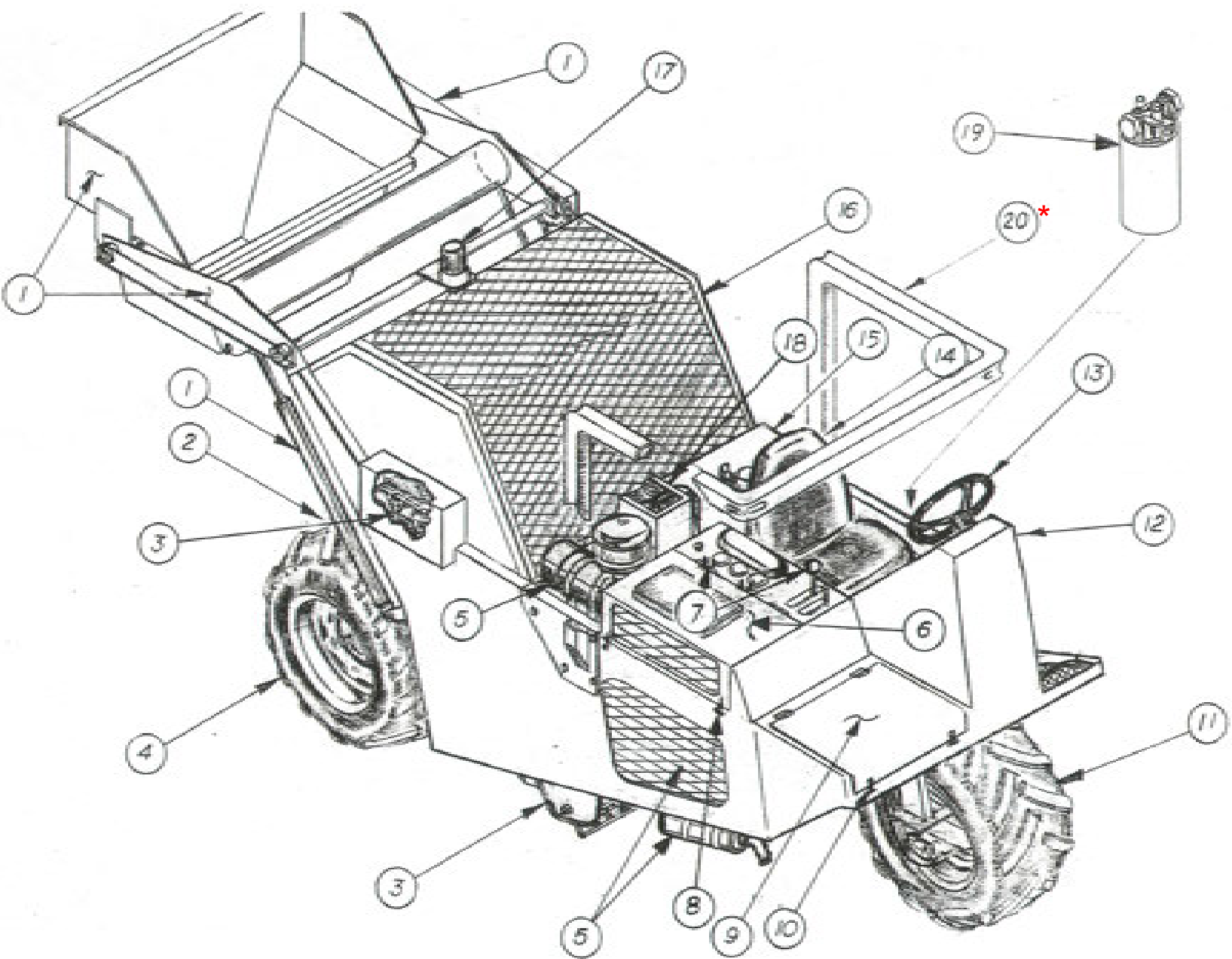
Table of Contents	1
Overall View	2-3
Engine/ Pump Components.....	4-5
Screen System	6-7
Hopper System.....	8-9
Steering Components	10-11
Operators Controls	12-13
Fuel System.....	14-15
Groomer Assembly	16-17
P280300 Hydraulic Diagram 3000	18-19
Electrical Diagram	20

OVERALL VIEW - 3000

REF NO.	PART NO.	DESCRIPTION	QTY
1	PAGE 8/9	HOPPER SYSTEM	
2	005093	TANK, HYD ASSY, 3000	1
	P297220	GAUGE: OIL SIGHT (RA)	1
3	PAGE 6/7	SCREEN COMPONENTS	
4	P354200	MTR: WHL, WHI HB 1857	2/MACH
	002646	WHEEL ASSY-LH (used right side)	1
	002959	WHEEL ASSY-RH (used left side)	2
		<u>Each Wheel Assy Includes:</u>	
	P763000	TIRE: SD	1
	002647	RIM (10 X 15)	1
		<u>See Also: Steering Page E</u>	
5	PAGE 4/5	ENGINE/PUMP COMPONENTS	
6	004636	SHIELD, ENG. COVER	1
	P999000	BOX: OWNERS MANUAL	1
7	PAGE 12/13	OPERATOR CONTROLS	
8	003384	LATCH, FLEX-DRAW (Style R)	2
9	002713	GUARD, STEERING COMPARTMENT	1
10	002814	LATCH, FLEX, DRAW (Style F)	2
11	PAGE 10/11	STEERING COMPONENTS	
12	PAGE 12/13	OPERATOR CONTROLS	
13	P768500	STEERING WHEEL (RA)	1
	P768501	STEERING WHEEL NUT	1
	P768510	STEERING COLUMN: C/L 204-1002	1
	P352300	MTR: PS, C/L 241-1034	1
14	005261	SEAT: 3000	1
15	PAGE 14/15	FUEL SYSTEM	
16	003372	GUARD, CONVEYOR/OSC	1
17	P312600	LIGHT: STROBE (RB)	1
18	003086	BRKT, AIR CLNR/BATT BOX	1
	003382	COVER, BATT BOX (Not Shown)	1
	003096	PAD, BATT	1
	P002400	BATTERY: EXI 26/R60	1
	P002608	BATTERY CABLE: 4 GA 08"	1
	P002631	BATTERY CABLE: 1 GA 31"	1
	P002648	BATTERY CABLE: 1 GA 48"	1
19	P371900	FILTER: HYD FA3 HEAD	1
	P297170	GAUGE: IND LP CI-20	1
	P371820	FILTER: HYD ELMT	1
20*	003684	ROLL BAR ASSY, ROPS	1

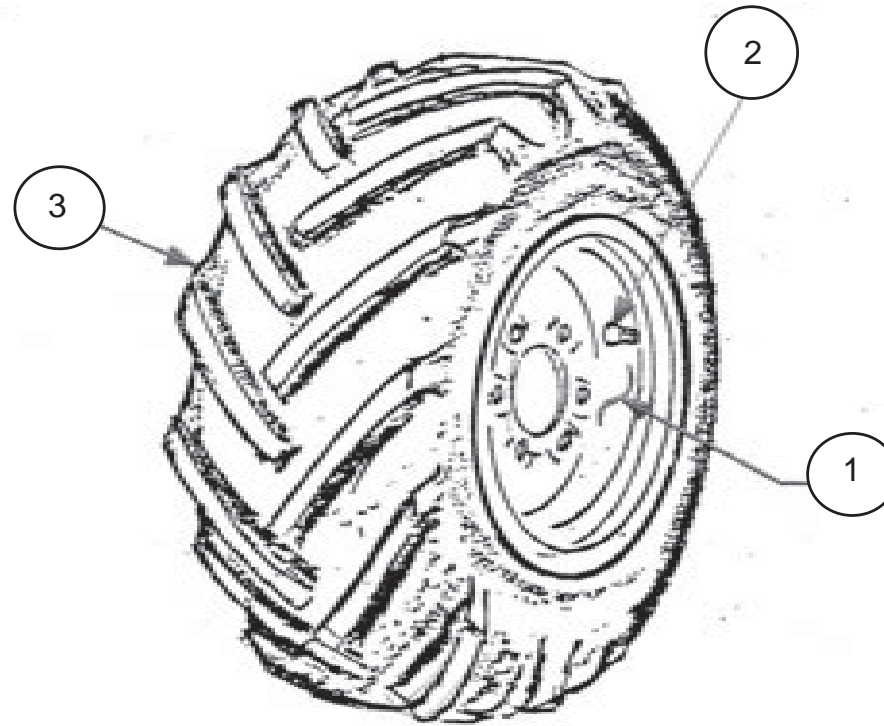
* 71.300015 OPTIONAL ROPS SUN SHADE CANOPY

OVERALL VIEW - 3000

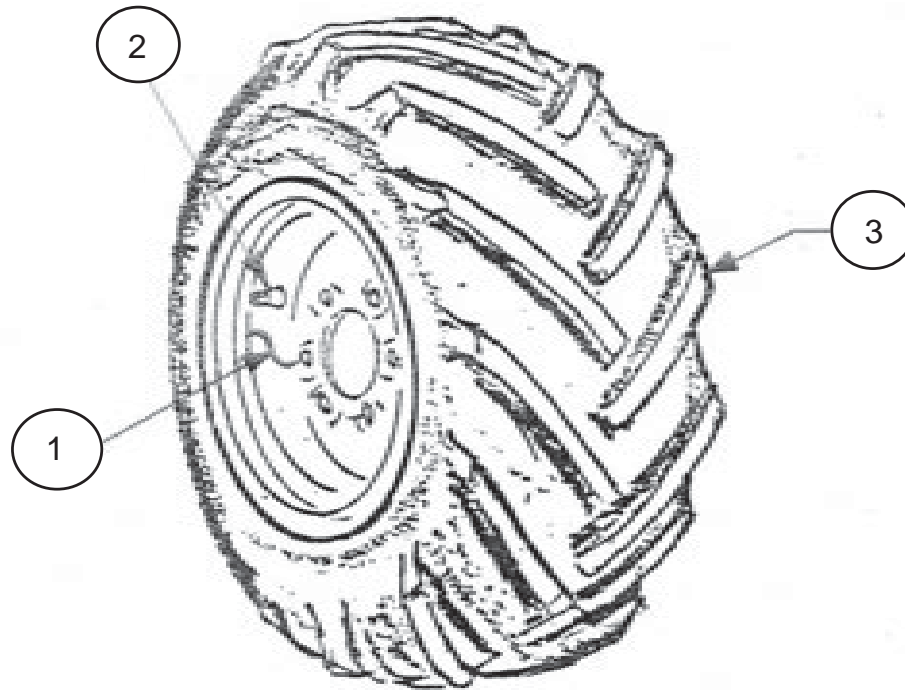


A





ITEM	PART NUMBER	DESCRIPTION	002646 WHEEL ASSY: RIGHT REAR		REV.
1	71.P750700	RIM: PIONEER #106809	SCALE: —	APPROVED BY:	DRAWING BY
2	71.P763001	TUBE: INNER 3000	DATE:		REVISED
3	71.P763000	TIRE: 29 X 12.5 - 15 NHS 8PR	<i>CHERRINGTON CORPORATION</i>		
					DRAWING NUMBER



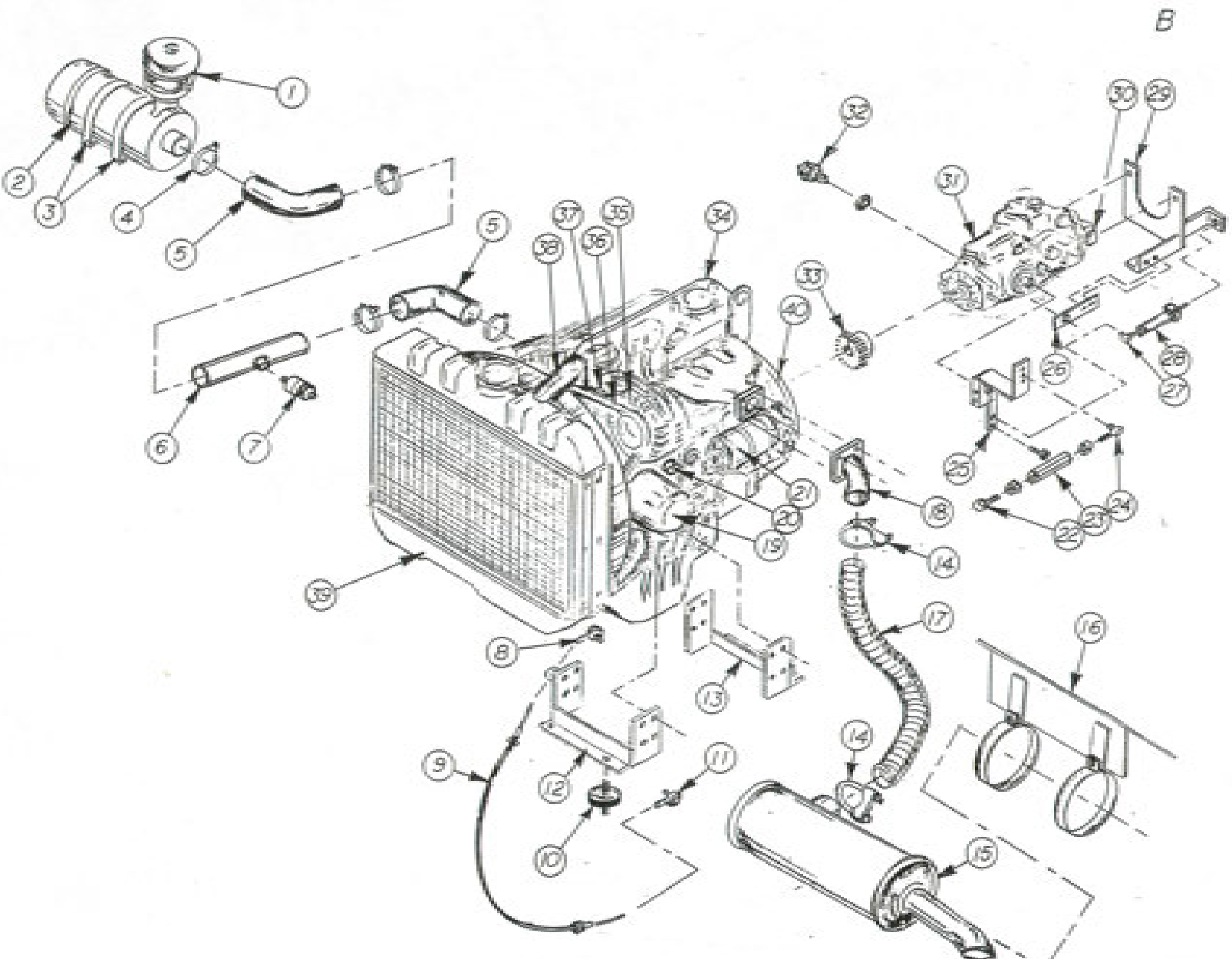
ITEM	PART NUMBER	DESCRIPTION	002959 WHEEL ASSEMBLY: LEFT REAR / FRONT			REV.
1	P750700	RIM: PIONEER #106809	SCALE:	APPROVED BY:	DRAWING BY:	
2	P763001	TUBE: INNER 3000	DATE:		REVISION:	
3	P763000	TIRE: 29 X 12.5 - 15 NHS 8 PR	<i>CHERRINGTON CORPORATION</i>			
						DRAWING NUMBER:

ENGINE/PUMP COMPONENTS

REF NO.	PART NO.	DESCRIPTION	QTY
1	P570300	PRE-CLNR: DON #H002042	1
2	P001620	AIR CLNR: DON #FWG042503 (Includes P371380)	1
	P371380	FILTER: AIR, ELMT SD	1
3	P133110	MTG BAND: A/C SD	2
4	P128728	CLAMP: HOSE, SIZE 28	4
5	P269450	HOSE: DAYCO #70924 (ELBOW)	2
6	003344	TUBE, AIR INTAKE WELD	1
7	P297160	GAUGE: IND A/C DON #RAX002351	1
8	P126330	BALL JOINT: 10-32F 5/16M	1
9	P115860	CABLE: PUSH-PULL 60"	1
10	P133020	MT: RUBBER 1/2", 3/8-16 NC	4
11	P126320	BALL JOINT, 10-32F 1/4M	1
12	003226	MOUNT, ENGINE, FRONT	1
13	003223	MOUNT, ENGINE, REAR	1
14	P128920	CLAMP-U: 1-5/8"	2
15	002892	MUFFLER W/TAILOUT	1
16	002885	BRACKET, MUFFLER	1
17 *	002889	FLEX TUBE, 1-1/2 X 24 UPDATED P/N: 71.P279110	1
18	003359	EXHAUST ADAPTER	1
19	P371540	FILTER: ENG OIL KUBOTA	1
20	P372100	SENDER: ENG OIL PRES	1
21	P770300	STARTER: KUB	1
22	P126370	BALL JOINT: M W/STUD 3/8-24L	1
23	003326	LINKAGE ROD, TRANSMISSION	1
24	P126371	BALL JOINT: M W/STUD 3/8-24R	1
25	003356	LEVER, TRANS. CONTROL SHAFT	1
26	003352	BRKT, NEUTRAL SAFETY SWITCH	1
27	P126360	BALL JOINT: F W/STUD 5/16-24R	1
28	P125100	CENTERING DEVICE: HB 165072320	1
	P126810	BUSHING ADAPTER: CD	1
29	004537	BRKT, CENTERING DEVICE/NEUTRAL SAFETY	1
30	P555500	PUMP: GEAR PNB11+2.6DSC36	1
31	P556300	PUMP: TRAN EA/C #70144-RCM	1
32	P298160	SWITCH: NEUTRAL SAFETY	1
33	P370610	CPLG HUB: KUB	1
34	P370600	ENG: KUBOTA D1005E (Includes 19, 21, 33, 35, 36, 38, 39, 40)	1
35	P001830	ALTERNATOR: KUB	1
36	P064000	BELT: FAN/ALT, KUB	1
37	P372700	SENDER: WATER TEMP	1
38	P269210	HOSE: RAD, UPPER	1
	P269200	HOSE: RAD, LOWER	1
	P269400	HOSE: WATER PUMP, LOWER	1
	P269410	HOSE: WATER PUMP, UPPER	1
39	P594000	RADIATOR: KUB	1
40	003405P	F/W HOUSINT/CPLG KIT, SUPER 5 SERIES	1
	P272705	CPLG FLANGE: F/W, SUPER 5 SERIES	1

*NOT SHOWN 71.P115848 CABLE: PUSH / PULL 48" TRANSMISSION SHIFT

ENGINE/PUMP COMPONENTS



SCREEN SYSTEM

REF NO.	PART NO.	DESCRIPTION	QTY
1	003669	FLIGHT BLADE 34" STEEL	14
2	002593	FLIGHT MTG. ANGLE, 34"	14
3	003266	CHAIN, #620 CONV 14 CLEAT	2
4	P351700	MTR: OSC, C/L 101-1009	1
5	003297	SPROCKET, D5030 X 1" BORE	1
6	003298	CHAIN, #50-2 OSC.	1
7	003294	SPROCKET, D50B18 1-7/16 BORE	1
8	002845	KEY, 3/8 X 1.875	2
9	P652021	50-B-21HT 1-7/16" BORE	1
10	003299	CHAIN, #50 CONVEYOR DRIVE	1
11	P652024	50-B-24HT 1" BORE	1
12	P351200	MTR: CONV, C/L 101-1014	1
13	000271M	WEAR STRIP, CONVEYOR	4
14	P003110	BEARING: S/M #MSF-23	2
15	000257W	SPROCKET, 620 12T 1-7/16 BORE	2
16	003268	SHAFT, REAR CONVEYOR	1
	003267	SHAFT ASSY, REAR CONVEYOR (Includes 14, 15, 16, & (2) 000328M, KEY, CONV. SHAFT)	1
17	003281	BRKT, BEARING, CONVEYOR ADJ.	1
18	003271	BRKT, CONVEYOR MOTOR	1
19	003591	CONVEYOR SUPPORT, SD	1
20	003283	BEARING 1-7/16 TAK MILLED	2
21	003285	BEARING, NP-32R3C MILLED	2
22	P003130	BEARING: S/M #SFT-32R3C	2
23	003393	SHAFT ASSY, OSC SUB	1
	003394	SHAFT ASSY, OSC (Includes 20, 21, 22, &23)	1
24	P098810	HEX BOLT: 1/2" X 2-1/2" GR.5 FULL	2
25	003680	SCREEN, 1/2" OPEN	1
	003814	SCREEN, 1" OPEN, SD	1
	003681	SCREEN, 5/8" OPEN	1
	005250	SCREEN, 3/8" WOVEN (optional)	1
26	004346	SCREEN FRAME WELD, SD	1
27	002584	SPACER, DIGGER CYL	2
28	003103	BRKT, DIGGER CYL (Rear)	2
29	002585	BRKT, DIGGER CYL (Front)	2
30	P126820	BUSHING: RUBBER	4
31	003210	CYL, DIGGER, SD	2
32	003588	CONVEYOR HOLD DOWN ASSY, LH	1
	003587	CONVEYOR HOLD DOWN ASSY, RH (not shown)	1
33*	002573	DIGGER POINT, SD	1
34	P015110	BEARING: FAF TCJT 1-7/16 (RA)	2
35	002564	SHAFT, FRONT CONVEYOR	1
	002565	SHAFT ASSY, FRONT CONVEYOR (Includes 15, 35, & (2) 000328M KEY, CONVEYOR SHAFT)	1

*OPTIONAL SOLID DIGGER POINT P/N 71.005363

SCREEN SYSTEM

MOUNTING HARDWARE ITEMS

#13 WEAR STRIP 71.000271M (QTY. 4)

71.P103504 SOCKET HD CAP SCREW 5/16-18 X 1 (QTY. 8)
71.P150500 HEX NUT 5/16-18 GR5 (QTY. 8)
71.P851105 LOCK WASHER 5/16 (QTY. 8)

#33 DIGGER POINT / CUTTING EDGE (QTY. 1)

71.002573 SLOTTED STYLE
71.005363 SOLID STYLE (OPTIONAL)

71.P100605 HEX BOLT 3/8-16 X 1-1/4 GR. 5 (QTY. 8)
71.P851106 LOCK WASHER 3/8 (QTY. 8)
71.P150600 HEX NUT 3/8-16 GR. 5 (QTY. 8)

#1 FLIGHT BLADE 71.003669 (QTY. 14)

#2 FLIGHT ANGLE 71.002593 (QTY. 14)

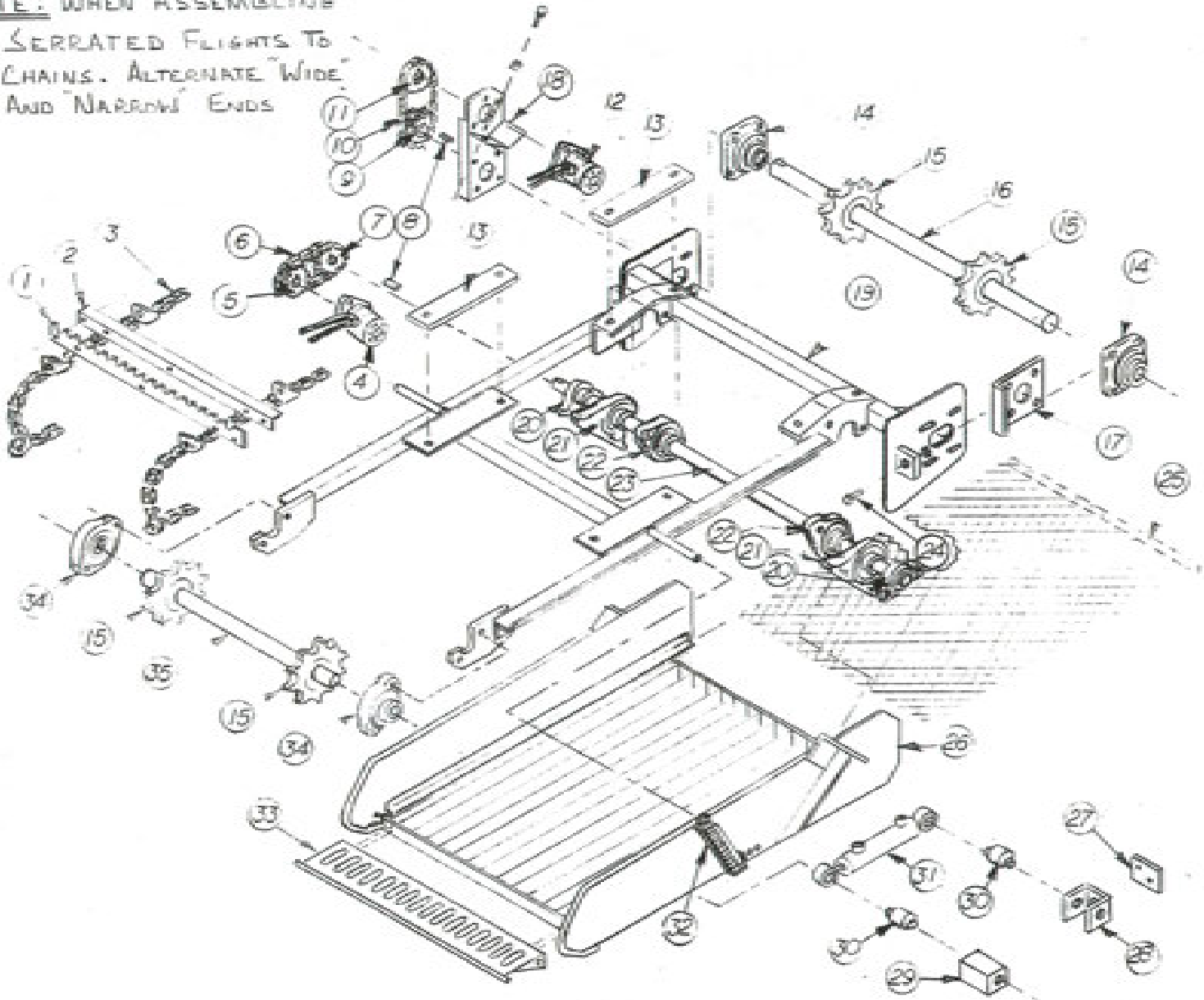
** QTY. REQUIRED PER FLIGHT ASSEMBLY

71.P100604 HEX BOLT 3/8-16 X 1 GR 5 (QTY. 3)
71.P100605 HEX BOLT 3/8-16 X 1-1/4 GR 5 (QTY. 2)
71.P851106 LOCK WASHER 3/8 (QTY. 5)
71.P155450 TOP LOCK HEX NUT 3/8-16 GR. 5 (QTY. 5)

#12 CONVEYOR MOTOR MOUNTING HARDWARE:

71.P100604 HEX BOLT 3/8-16 X 1 GR 5 (QTY 4)
71.P850106 FLAT WASHER 3/8 (QTY 4)
71.P851106 LOCK WASHER 3/8 (QTY 4)

NOTE: WHEN ASSEMBLING
SERRATED FLIGHTS TO
CHAINS. ALTERNATE "WIDE"
AND "NARROW" ENDS



HOPPER SYSTEM

REF NO.	PART NO.	DESCRIPTION	QTY
1	002859	CYLINDER, HOIST	2
2	P118010	CLEVIS PIN CLIP	6
3	P120850	CLEVIS PIN: 1"	3
4	004880	CYLINDER, HOPPER 3000	1
5	002523	PIN, ROLLOVER CYLINDER	1
6	002511	PIN, BOOM PIVOT-LG	1
7	003023	CRANK, HOPPER SD	1
8	003129	GUARD, ROLLOVER CHAIN	1
9	002659	TURNBUCKLE ASSY	2
10	002658	CHAIN, ROLLOVER	2
11	002516	PIN, BOOM/PIVOT/SPROCKET	1
12	003030	BOOM, WELD, SD	1
13	002512	PIN, BOOM PIVOT, SHORT	2
14	002534	HOPPER	1
15	002676	WEAR STRIP, HOPPER	2
16	P630200	CONNECTING LINK: #60	4

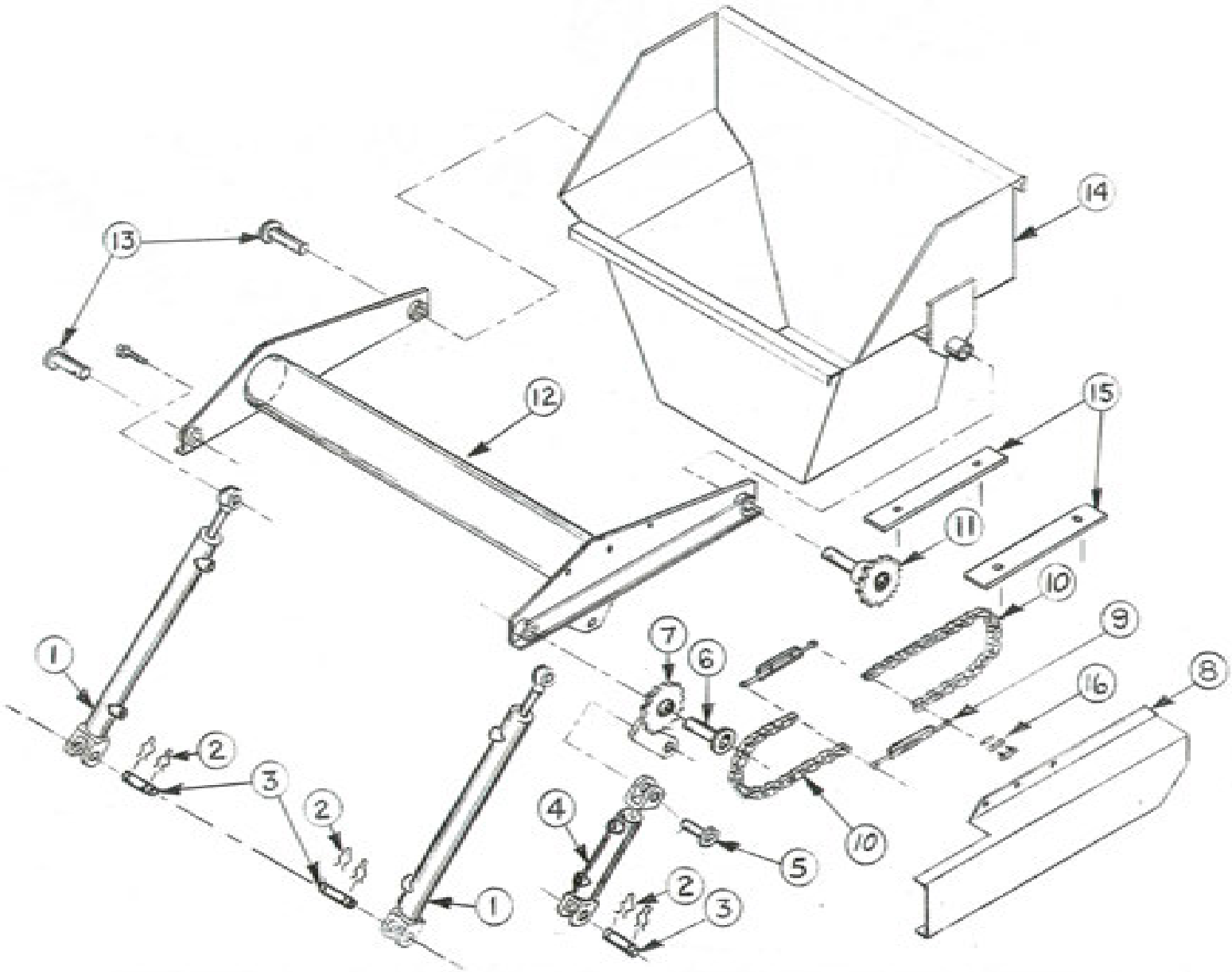
Additional reference numbers:

P298100 Hoist Lockout Switch - MOUNTED ON LEFT CYLINDER

P298155 Hopper Switch (on/off) - MOUNTED ON RIGHT SIDE HOPPER BOOM

HOPPER SYSTEM

D

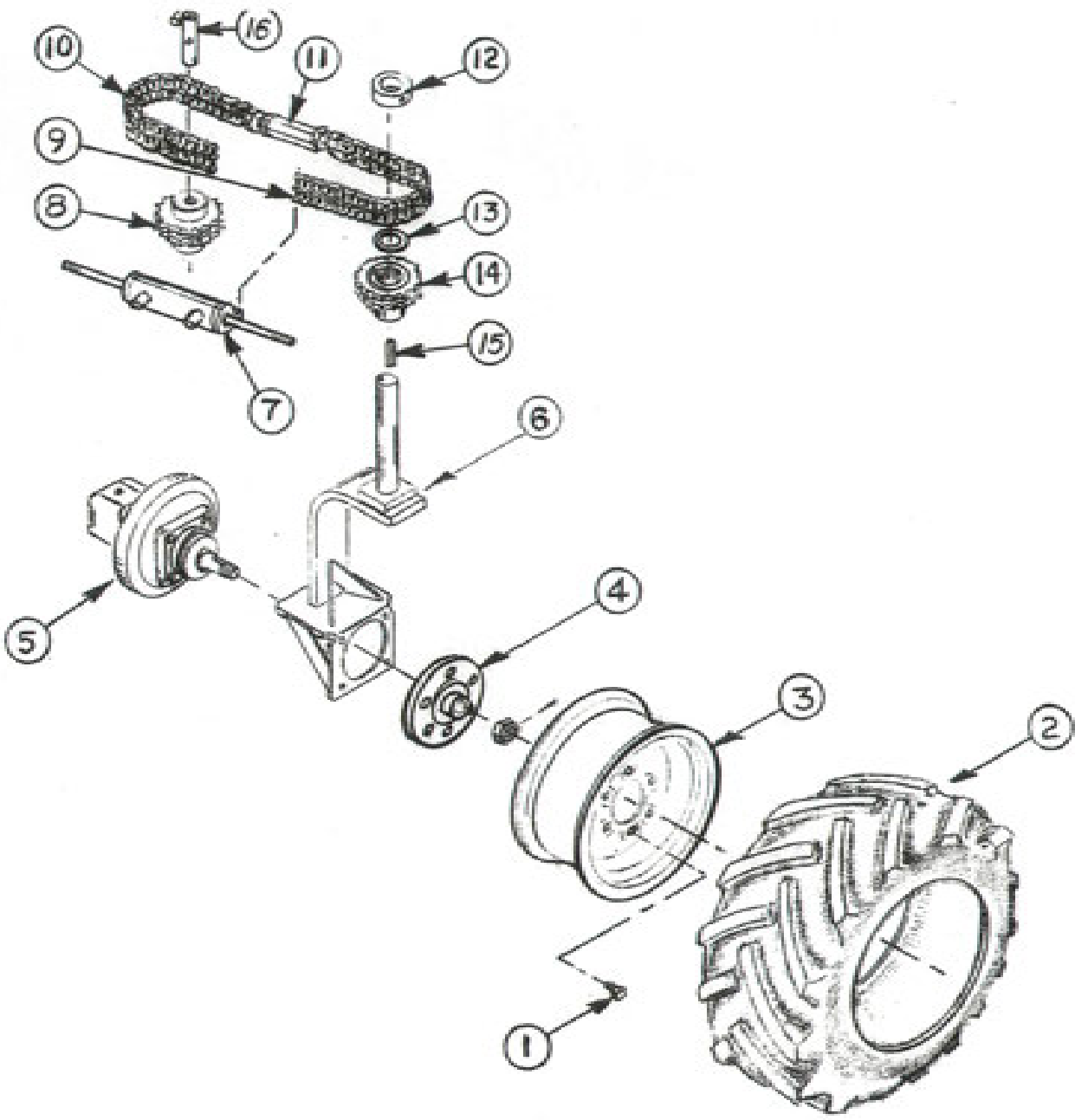


STEERING COMPONENTS

REF NO.	PART NO.	DESCRIPTION	QTY
1	P768100	WHEEL NUT: 9/16-18	18/MACH
2	P763000	TIRE: SD	3/MACH
3	002647	RIM (10 X 15)	3/MACH
	002959	WHEEL ASSY (29 X 12.5-15) R (Includes 2 & 3, see overall view)	2/MACH
4	005334	WHEEL HUB, 6 STUD	3/MACH
5	P355500	MTR: WHL/BRK, WHI HB1844	1
6	004308	FORK, FRONT SD	1
7	003107	CYL, STEERING, (2491)	1
8	002588	SPROCKET, STEERING IDLER	1
9	002831	CHAIN, STEERING, 16SB	1
10	002864	CHAIN, STEERING, 15SB	1
11	002827	TURNBUCKLE ASSY, STEERING	1
12	000013M	COLLAR, FORK 2"	1
13	000006M	WASHER, FORK	1
14	002587	SPROCKET, STEERING DRIVE	1
15	002845	KEY, 3/8 X 1.875	1
16	003025	PIN, STEERING IDLER	1

STEERING COMPONENTS

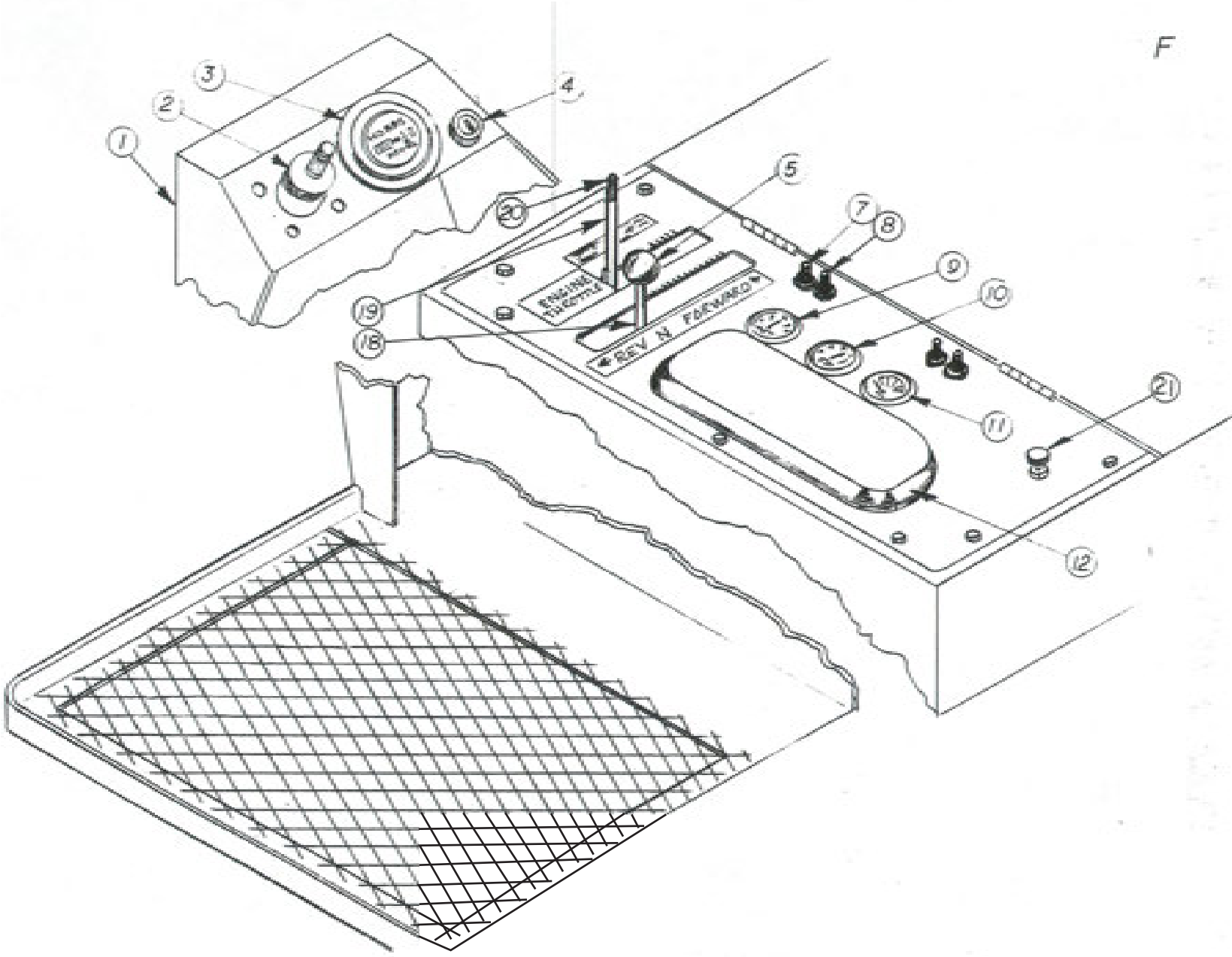
E



OPERATORS CONTROLS

REF NO.	PART NO.	DESCRIPTION	QTY
1	002651	MOTOR, POWER STEERING, 1034 (not shown)	1
2	P768510	STEERING COLUMN: C/L 204-1002	1
3	P297140	GAUGE: HOURMETER	1
4	P298120	SWITCH: IGN (KUBOTA) – (Includes P307000)	1
	P307000	KEY SET: IGN (KUBOTA)	
5	P308100	KNOB: 1-3/8" X 1/2-13	1
7	P298175	SWITCH: TOGGLE DPDT	3
8	P298180	SWITCH: TOGGLE DPDT DETENT	1
9	P297290	GAUGE: WATER TEMP	1
10	P297210	GAUGE: OIL PRESSURE	1
11	P297280	GAUGE: VOLTMETER	1
12	P001500	ARMREST: RH	1
18	003468	LEVER, TRANSMISSION	1
19	003331	LEVER, THROTTLE	1
20	P115940	CAP: PLASTISOL: .463 X 1.5	1
21	P294300	VALVE: NEEDLE NVG	1

OPERATORS CONTROLS

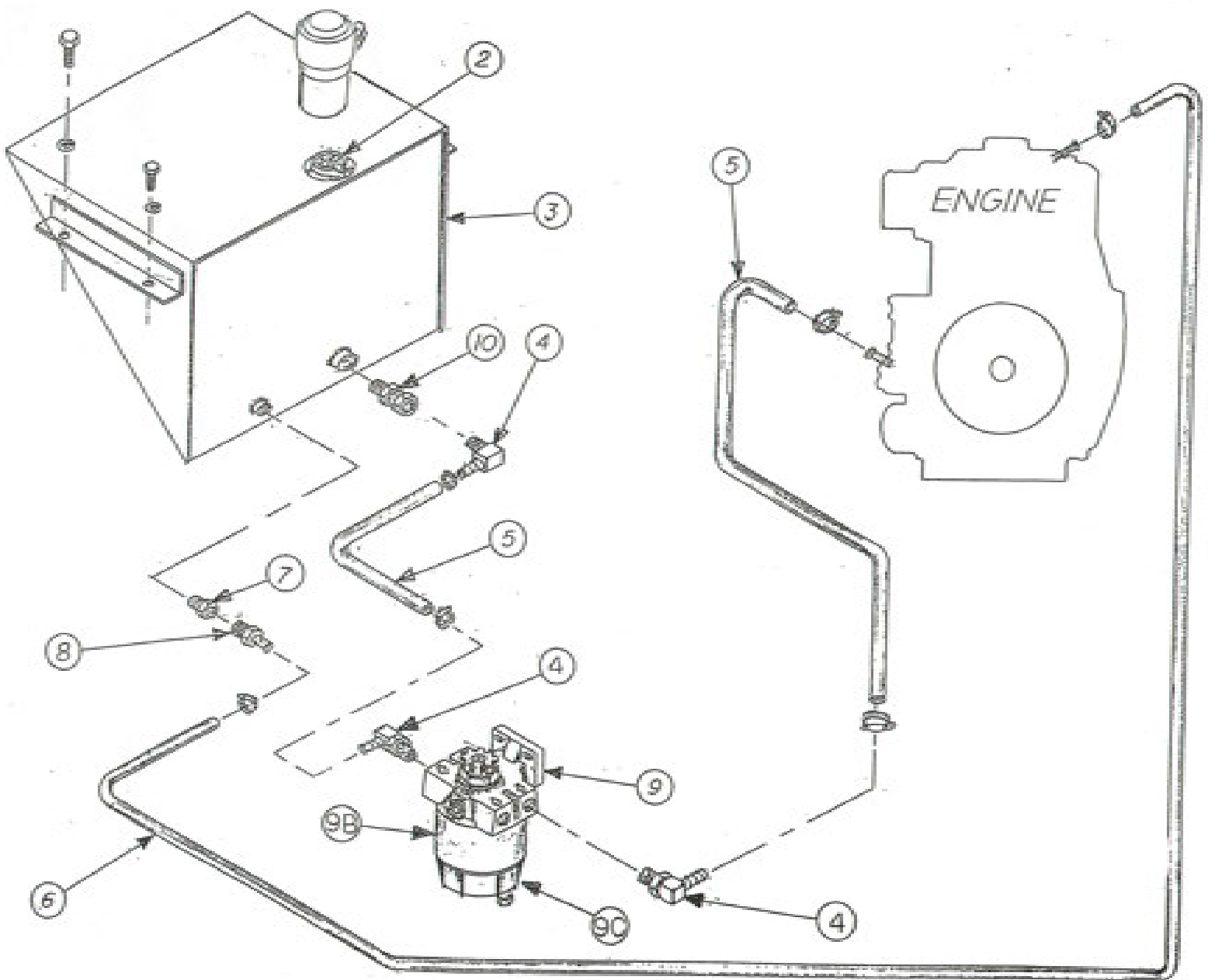


FUEL SYSTEM

<u>REF NO.</u>	<u>PART NO.</u>	<u>DESCRIPTION</u>	<u>QTY</u>
2	P297110	GAUGE: FUEL LEVEL	1
3	005084	TANK, FUEL, ASSY 3000	1
4	P267140	FITTING: 4MP 5FP BRASS ADAPTER	3
5	R99000703	HOSE: FUEL LINE, 5/16" ID (SPECIFY LENGTH WHEN ORDERING)	
6	R99000701	HOSE: FUEL LINE, 3/16" ID (SPECIFY LENGTH WHEN ORDERING)	
7	P267310	FITTING: 4MP 2FP REDUCER	1
8	P267120	FITTING: 2MP 3FP BRASS ADAPTER	1
9	P371660	FILTER: FUEL/SEP ASSY RACOR	1
9B	P371630	FILTER: FUEL, ELMT RACOR	1
9C	P371200	FILTER BOWL W/PLUG RACOR	1
10	P267815	FITTING: 4MP 4FPX ADAPTER	1

FUEL SYSTEM

G

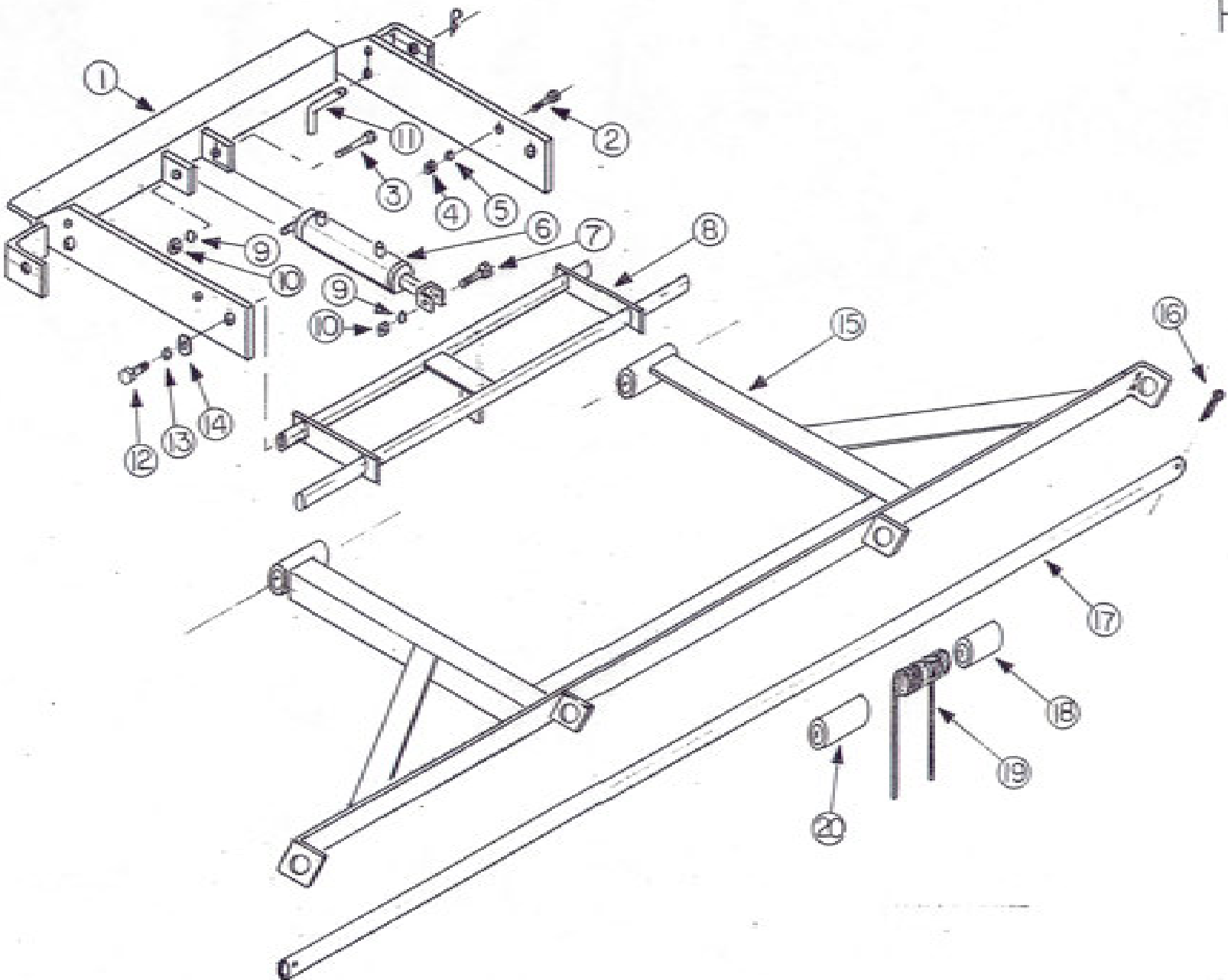


GROOMER ASSY

REF NO.	PART NO.	DESCRIPTION	QTY
1	004318	BRACKET, GROOMER MTG	1
2	P100606	BOLT: 3/8-16 NC X 1-1/2"	4
3	P100814	BOLT: 1/2-13 NC X 3-1/2"	1
4	P155450	NUT: 3/8" TOP-LOCK	4
5	P851106	WASHER: LOCK 3/8"	4
6*	P256200	CYL: 1-1/2 B X 4 S REPLACED WITH 71.P259150	1
7	P100807	HEX BOLT: 1/2" X 1-3/4"	1
8	004334	LIFT, GROOMER	1
9	P851108	WASHER: LOCK 1/2"	2
10	P155850	NUT: 1/2" TOP-LOCK	2
11	P121200	BENT HITCH PIN: 3/4" X 3-1/2"	2
12	P101004	BOLT: 5/8-11 NC X 1	2
13	P851110	WASHER: LOCK 5/8"	2
14	P850110	WASHER: FLAT ZINC 5/8"	2
15	004323	GROOMER WELD	1
16	P116308	COTTER PIN: 3/16" X 2"	2
17	004333	PIPE, SPRING MT	1
18	004177	SPACER, GROOMER, SM	2
19	004206	SPRING, GROOMER	15
20	004176	SPACER, GROOMER, LG	12

GROOMER ASSY

H

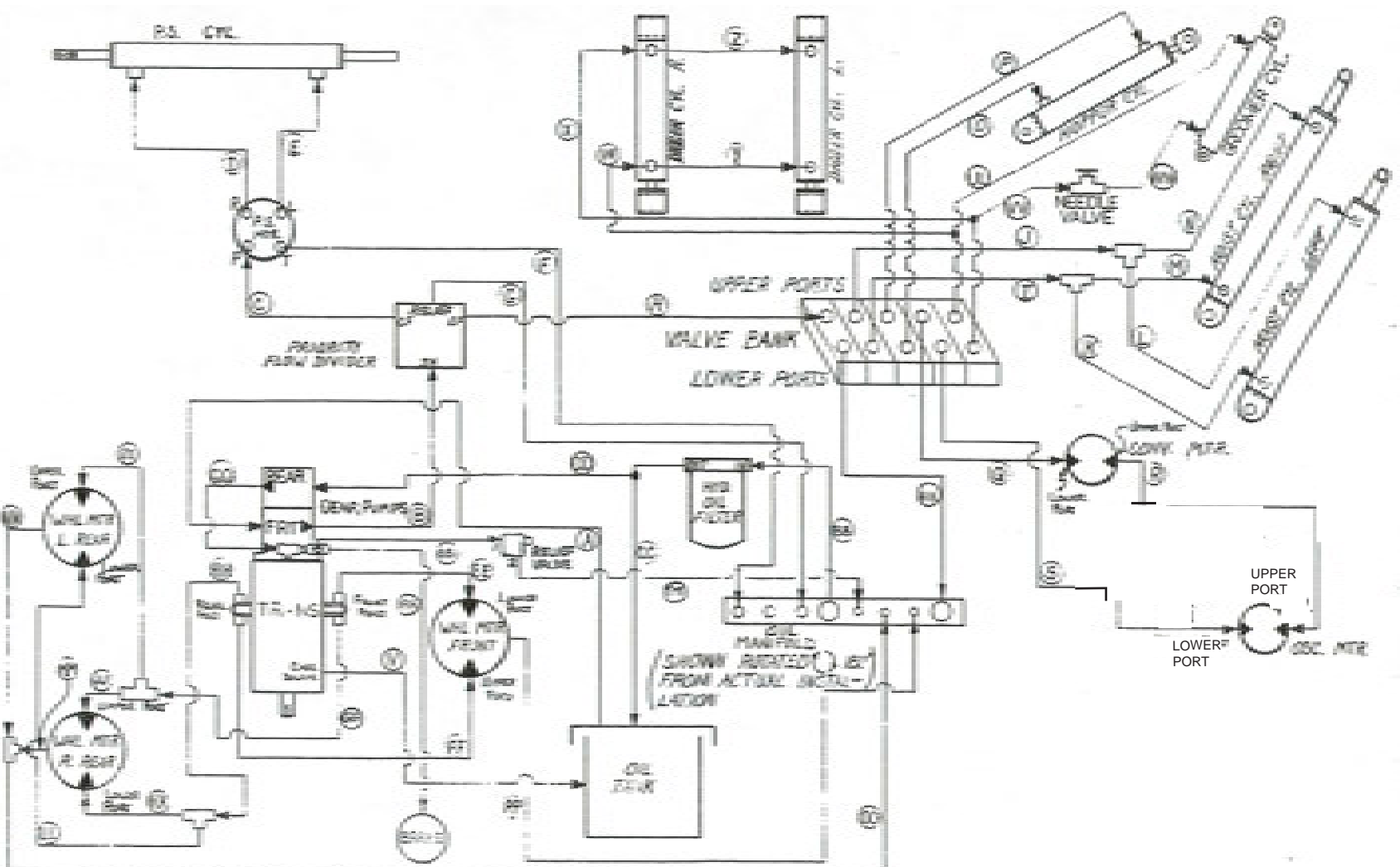


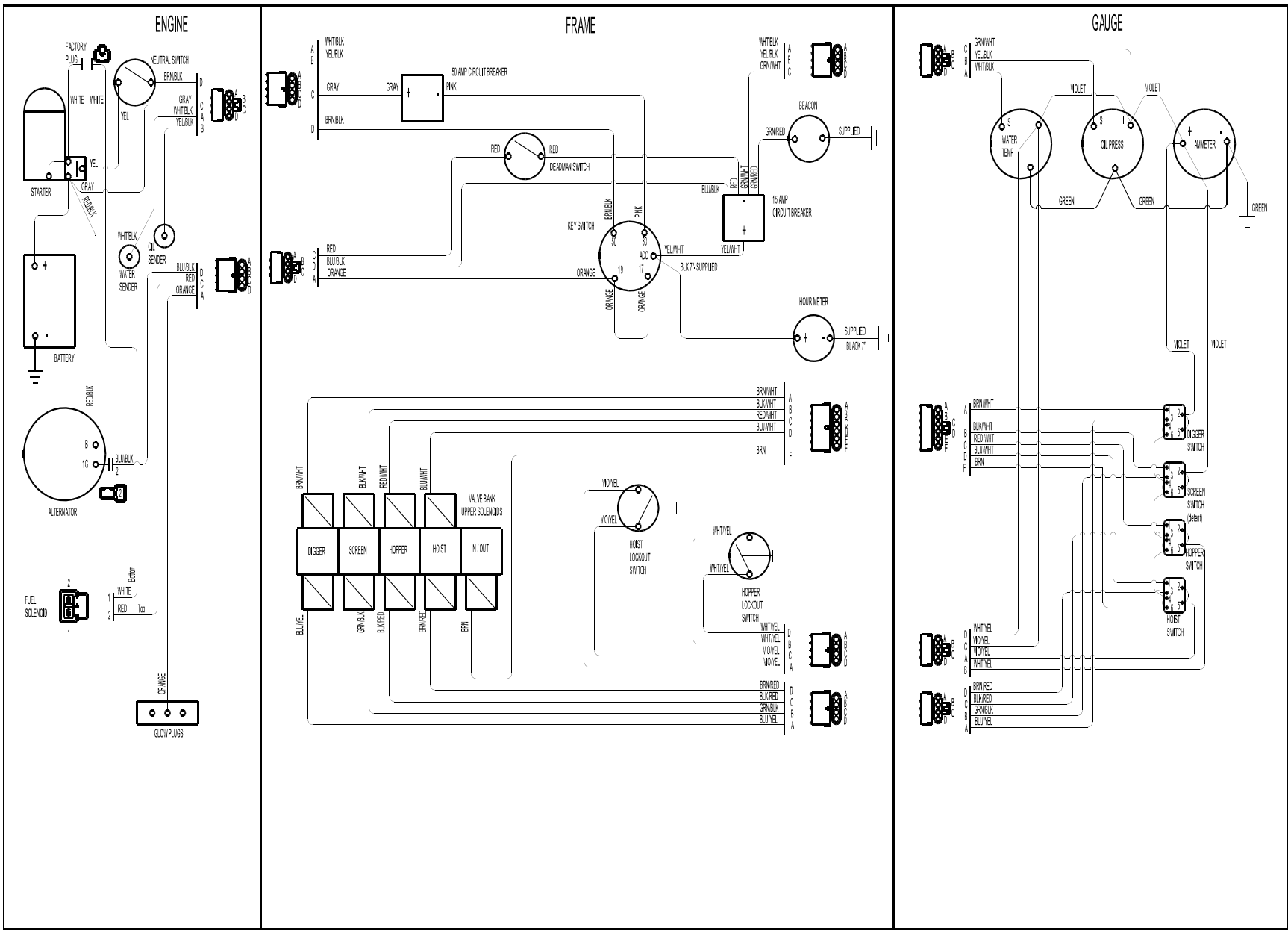
P280300 HYDRAULIC DIAGRAM 3000

COMPONENT DESCRIPTION

A: 20MJ 20MP90, HOSE P289059, 16MJ 12MB45
B: 12MJ 10MB, HOSE P286939, 12MJ 12MP90
C: 6MJ 6MP90, HOSE P283073, 6MJ 6MB45
D: 6MJ 6MB45, HOSE P283037, 6MJ 6MP45
E: 6MJ 6MB45, HOSE P283052, 6MJ 6MP90
F: 6MJ 6MB45, HOSE P283073, 6MJ 6MP90
G: 6MJ 6MP90, HOSE P283021, 6MJ 6MP
H: 8MJ 12MP90, P284927, 8MJ 10MB
I: 8MJ 8MB45, HOSE P284062, 8MJ 8MJ 8MJ
J: 8MJ MB, 8MJ 8FJX45, HOSE P284062, 8MJ 8MJ 8MJ
K: HOSE P283920, 6MJ 8MP90
L: HOSE P283939, 6MJ 8MP90
M: HOSE P283859, 6MJ 8MP90
N: HOSE P283079, 6MJ 8MP90
O: 6MJ 8MB45 R.035, HOSE P283102, 6MJ 4MP90
P: 6MJ 8MB, 6MJ 6FJX45, HOSE P283109, 6MJ 4MP90
Q: 8MJ 8MB, 8MJ 8FJX45, HOSE P284091, 8MJ 10MB
R: 8MJ 10MB45, HOSE P284420, 8MJ 10MB
S: 8MJ 8MB45, HOSE P284474, 8MJ 10MB
V: 6MJ 6MB45, HOSE P283090, 6MJ 6MP90
W: 8MJ 8MB, 8MJ 8FJX45, 8MJ 8FJX 8MJ, HOSE P284486, 8MJ 8MP 8MJ
X: 8MJ 8MB45, 8MJ 8FJX 8MJ, HOSE P284486, 8MJ 8MP 8MJ
Y: HOSE P283859, 6MJ 8MP90
Z: HOSE P283045, 6MJ 8MP90
AA: 8MJ 10MB90, HOSE P284042, 8MJ 12MP90
BB: 12MJ 12MP90, HOSE P286034, 12MJ 16MB90
CC: 12MJ 16MB90, 12MJ 12FJX 12MJ, HOSE P288082, 16MJ 16MP90
DD: 12FJ 8MJ, HOSE P284932, 8MJ 8MB90
EE: 10MJ 12MB90, 10MJ 10FJX, 10MJ 10FJX 10MJ, HOSE P284995, 8MJ 10MB
FF: 10MJ 12MB90, 10MJ 10MJ 10FJX, HOSE P284480, 8MJ 10MB90
GG: HOSE P284462, 8MJ 8MJ 8MJ
HH: HOSE P284058, 8MJ 8MJ 8MJ
II: HOSE P284013, 8MJ 10MB
JJ: HOSE P284039, 8MJ 10MB45
KK: HOSE P284038, 8MJ 10MB45
LL: HOSE P284013, 8MJ 10MB
MM: 4MJ 4MB90, HOSE P282018, 4MJ 4MJ 4MJ
NN: 4MJ 4MB90, HOSE P282042
OO: HOSE P282076, 4MJ 4MP90, 4MJ 4FJX90
PP: 4MJ 4MB45, HOSE P282078, 4MJ 4MP90, 4MJ 4FJX90
QQ: 6MJ 6MB, HOSE P283018, 6MJ 6MJ 6FJX, 6MJ 8MB
RR: 6MJ 6FJX 6MJ 6MJ 6FJX90, HOSE P282107, 4MJ 4FJX90, 4MJ 4MB LONG
SS: HOSE P283022, 6MJ 6MB90
TT: 6MJ 6MB45, HOSE P283027, 6MJ 4MP
UU: 8FJ 4MJ, HOSE P282926, 4MJ 4MP90
VV: 8FJ 4MJ, HOSE P282927, 4MJ 4MP90
WW: 4MJ 4MP90, HOSE P282119, 4MJ 4MP90

P280300 HYDRAULIC DIAGRAM 3000





ELECTRICAL DIAGRAM