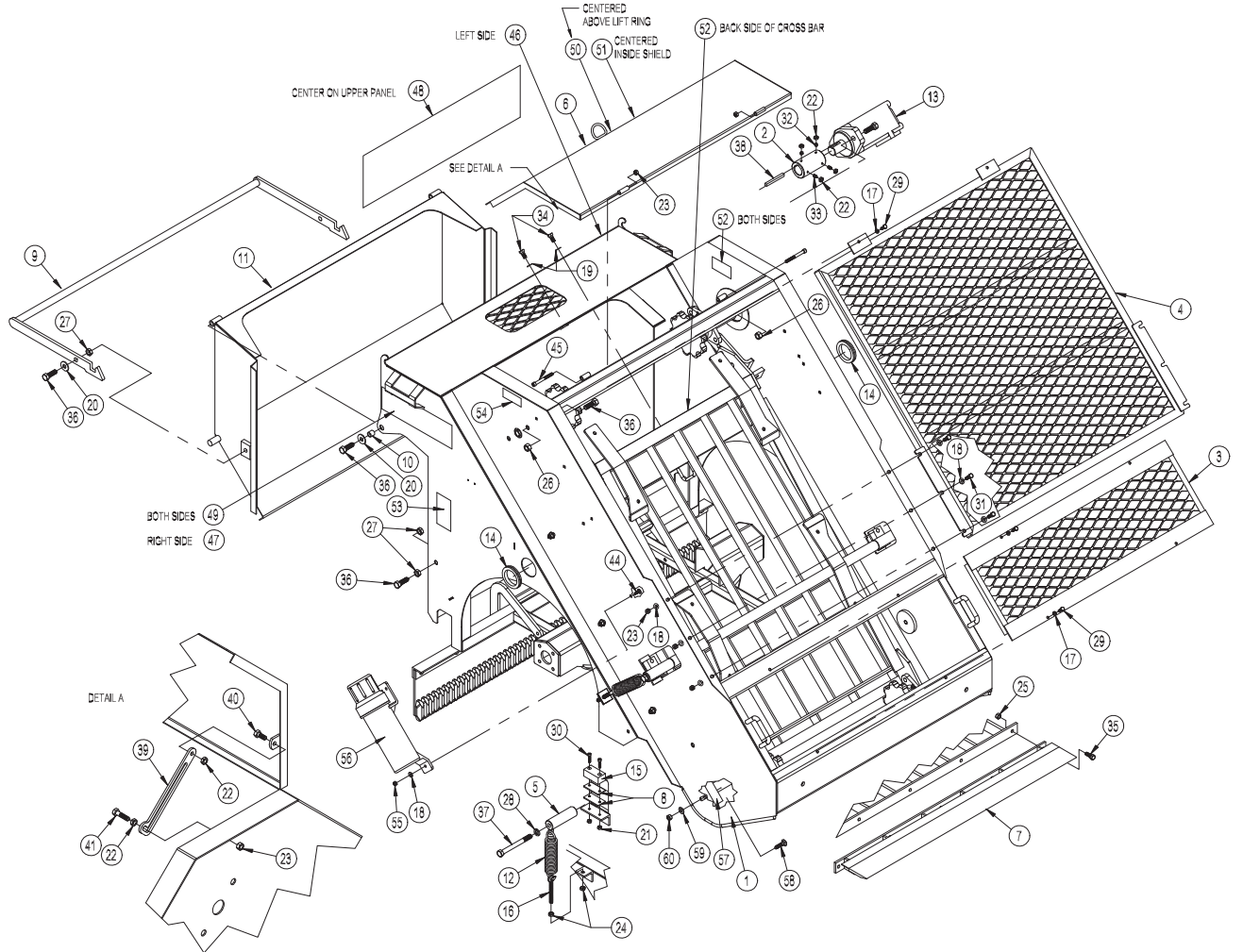


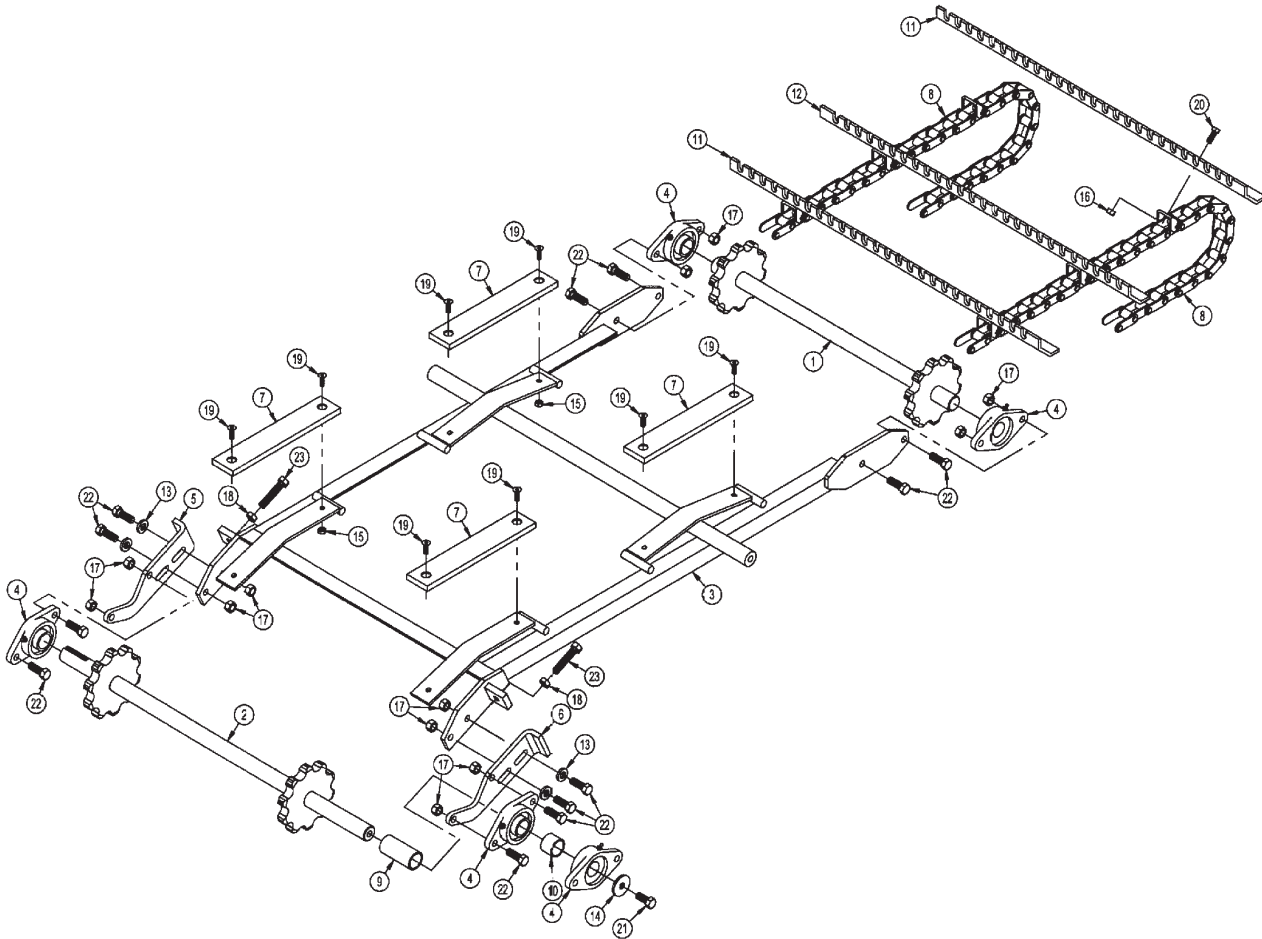
GENERAL ASSEMBLY



GENERAL ASSEMBLY

ITEM	QTY	PART NO.	DESCRIPTION	ITEM	QTY	PART NO.	DESCRIPTION
1	1	M30173	MAIN FRAME WELDMENT	52	3	P975107	DECAL: DANGER SHIELD MISSING
2	1	M30022	CONVEYOR SHAFT COUPLER	53	3	P970102	DECAL: WARNING OPERATOR
3	1	M30047	LOWER FRONT SHIELD	54	2	P977910	DECAL: DANGER KEEP CLEAR
4	1	950002	UPPER FRONT SHIELD	55	3	P150400	1/4" HEX NUT
5	2	M30075	CONVEYOR HOLD DOWN	56	1	P136000	MANUAL TUBE
6	1	M30070	REAR SHIELD	57	2	M30178	SCREEN GUIDE
7	1	M30172	DIGGER POINT	58	8	P104606	3/8" X 1-1/2" CARRIAGE BOLT
8	4	M30079	BUMPER SPACER	59	8	P850106	3/8" FLAT WASHER
9	1	M30080	HOPPER DOOR HANDLE	60	8	P150600	3/8" HEX NUT
10	2	M30081	LATCH PIVOT BUSHING				
11	1	M30082	HOPPER WELDMENT				
12	2	P601500	EXTENSION SPRING				
13	1	P350700	HYD MOTOR CHAR-LYNN 2000, 104-1026				
14	2	P133060	RUBBER GROMMET				
15	2	P605000	BUMPER PAD				
16	2	P135100	3/8" EYE BOLT				
17	8	P851104	1/4" LOCK WASHER				
18	13	P850104	1/4" FLAT WASHER				
19	2	P850105	5/16" FLAT WASHER				
20	4	P850107	7/16" FLAT WASHER				
21	4	P158003	1/4" NYLOCK NUT				
22	6	P155300	5/16" JAM NUT				
23	9	P155350	5/16" TOP LOCK NUT				
24	8	P155400	3/8" JAM NUT				
25	5	P155450	3/8" TOP LOCK NUT				
26	4	P155850	1/2" TOP LOCK NUT				
27	6	P157200	1/2" JAM NUT				
28	2	P851108	1/2" LOCK WASHER				
29	8	P100403	1/4" X 3/4" HEX BOLT				
30	4	P110910	1/4" X 1" SOCKET HD CAP SCREW				
31	6	P100504	5/16" X 1" HEX BOLT				
32	2	P108508	5/16" X 1/2" SET SCREW				
33	2	P108512	5/16" X 3/4" SET SCREW				
34	2	P100603	3/8" X 3/4" HEX BOLT				
35	5	P100604	3/8" X 1" HEX BOLT				
36	10	P100806	1/2" X 1-1/2" HEX BOLT				
37	2	P100820	1/2" X 5" HEX BOLT				
38	1	M5000-9	5/16" X 3" SQUARE KEY				
39	1	M30139	HOOD LOCK				
40	1	P100503	5/16" X 3/4" HEX BOLT				
41	1	P100505	5/16" X 1-1/4" HEX BOLT				
42	1	M30184	1/2" SCREEN				
43	1	M30185	3/4" SCREEN				
44	3	P104403	1/4" X 3/4" CARRIAGE BOLT				
45	2	P110512	5/16" X 3" SOCKET HD CAP SCREW				
46	1	P970001	DECAL: CHERRINGTON LEFT SIDE				
47	1	P970002	DECAL: CHERRINGTON RIGHT SIDE				
48	1	P970003	DECAL: CHERRINGTON REAR				
49	2	P979501	DECAL: 950				
50	1	P970300	DECAL: DANGER ROTATING PARTS				
51	1	P977900	DECAL: WARNING GUARDS IN PLACE				

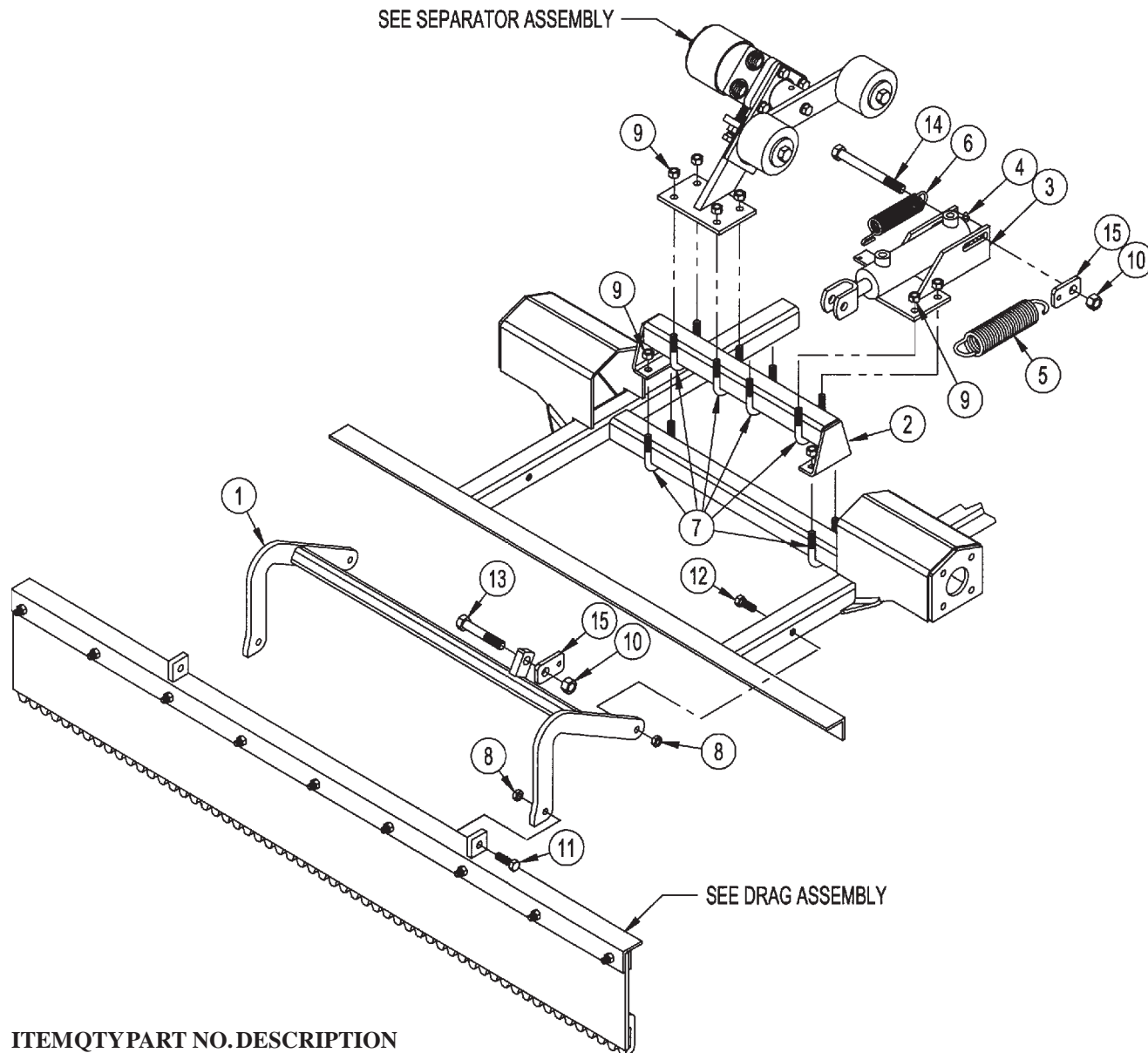
CONVEYOR ASSEMBLY



ITEM QTY PART NO. DESCRIPTION

ITEM	QTY	PART NO.	DESCRIPTION
1	1	M30015	FRONT CONVEYOR SHAFT
2	1	M30016	REAR CONVEYOR SHAFT
3	1	M30006	CONVEYOR SUPPORT WELDMENT
4	5	M30073	1-1/4" MODIFIED FLANGE BEARING
5	1	M30007	CONVEYOR ADJUSTMENT BRACKET L
6	1	M30008	CONVEYOR ADJUSTMENT BRACKET R
7	4	M30086	WEAR STRIP
8	2	M30189	CONVEYOR CHAIN WELDMENT
9	1	M30088	3.219 LG CONVEYOR SHAFT SPACER
10	1	M30089	1.125 SHT CONVEYOR SHAFT SPACER
11	9	M30092	FLIGHT BLADE RIGHT HAND
12	9	M30093	FLIGHT BLADE LEFT HAND
13	4	P852608	1/2" HARD WASHER
14	1	M5009-5	3/16" X 1/2" X 1-3/4" WASHER
15	8	P155350	5/16" TOP LOCK NUT
16	36	P155450	3/8" TOP LOCK NUT
17	12	P155850	1/2" TOP LOCK NUT
18	2	P157200	1/2" JAM NUT
19	8	P103504	5/16-18 X 1.00 FLAT HD CAP SCREW
20	36	P100604	3/8" X 1" HEX BOLT
21	1	P102805	1/2" X 1-1/4" FINE THD HEX BOLT
22	12	P100806	1/2" X 1-1/2" HEX BOLT
23	2	P098810	1/2" X 2-1/2" FULL THD HEX BOLT

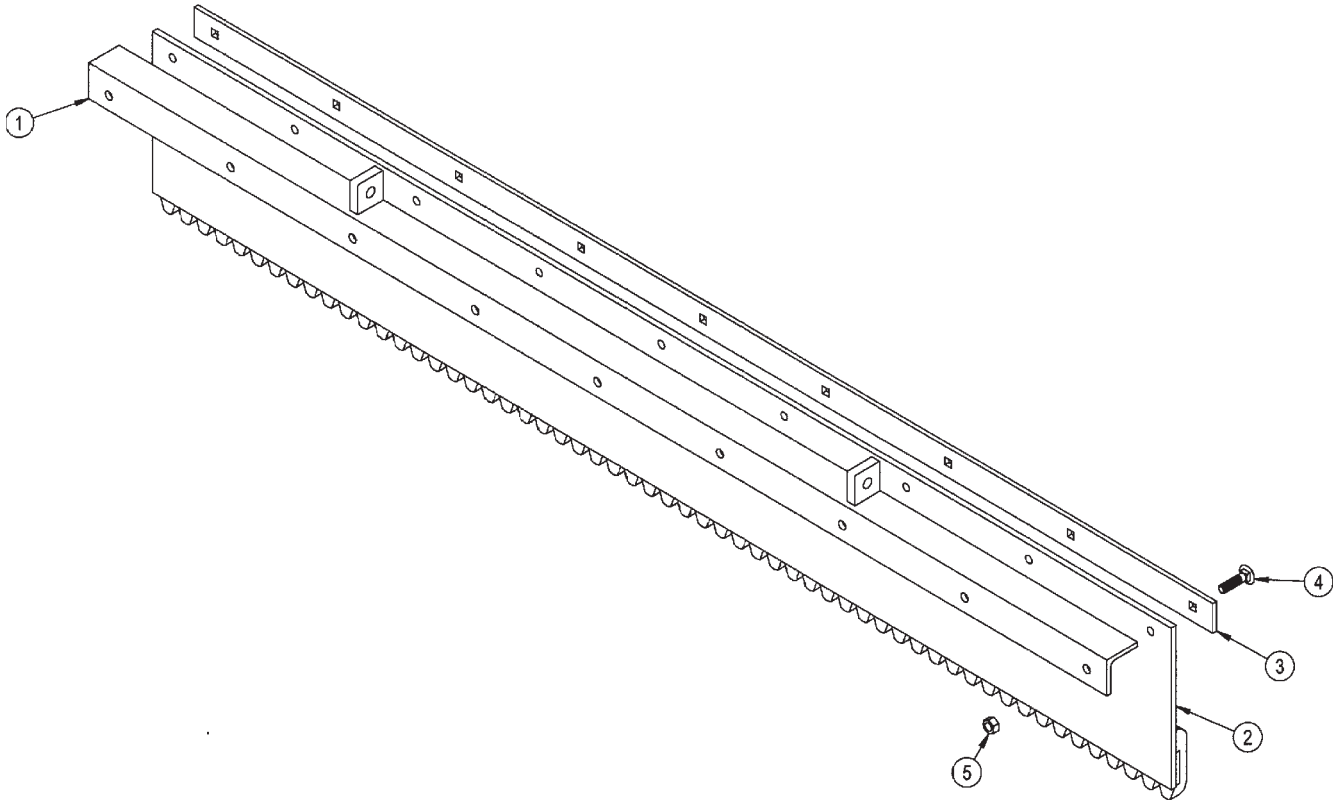
GROOMER & SEPARATOR ASSEMBLY



ITEM QTY PART NO. DESCRIPTION

1	1	M30067	LIFT FRAME
2	1	M30110	CONVEYOR RISER BRACKET
3	1	M30023	REAR CYLINDER MOUNT
4	1	P256200	HYDRAULIC CYLINDER 1-1/2" X 4"
		P256201	SEAL KIT
5	1	P601500	EXTENSION SPRING
6	1	P604700	EXTENSION SPRING
7	6	P127204	U-BOLT 3/8" X 1-1/2" X 2-1/4"
8	4	P155400	3/8" JAM NUT
9	12	P155450	3/8" TOP LOCK NUT
10	2	P155850	1/2" TOP LOCK NUT
11	2	P100605	3/8" X 1-1/4" HEX BOLT
12	2	P100609	3/8" X 2-1/4" HEX BOLT
13	1	P100812	1/2" X 3" HEX BOLT
14	1	P100820	1/2" X 5" HEX BOLT
15	2	M30147	SPRING HOLDER

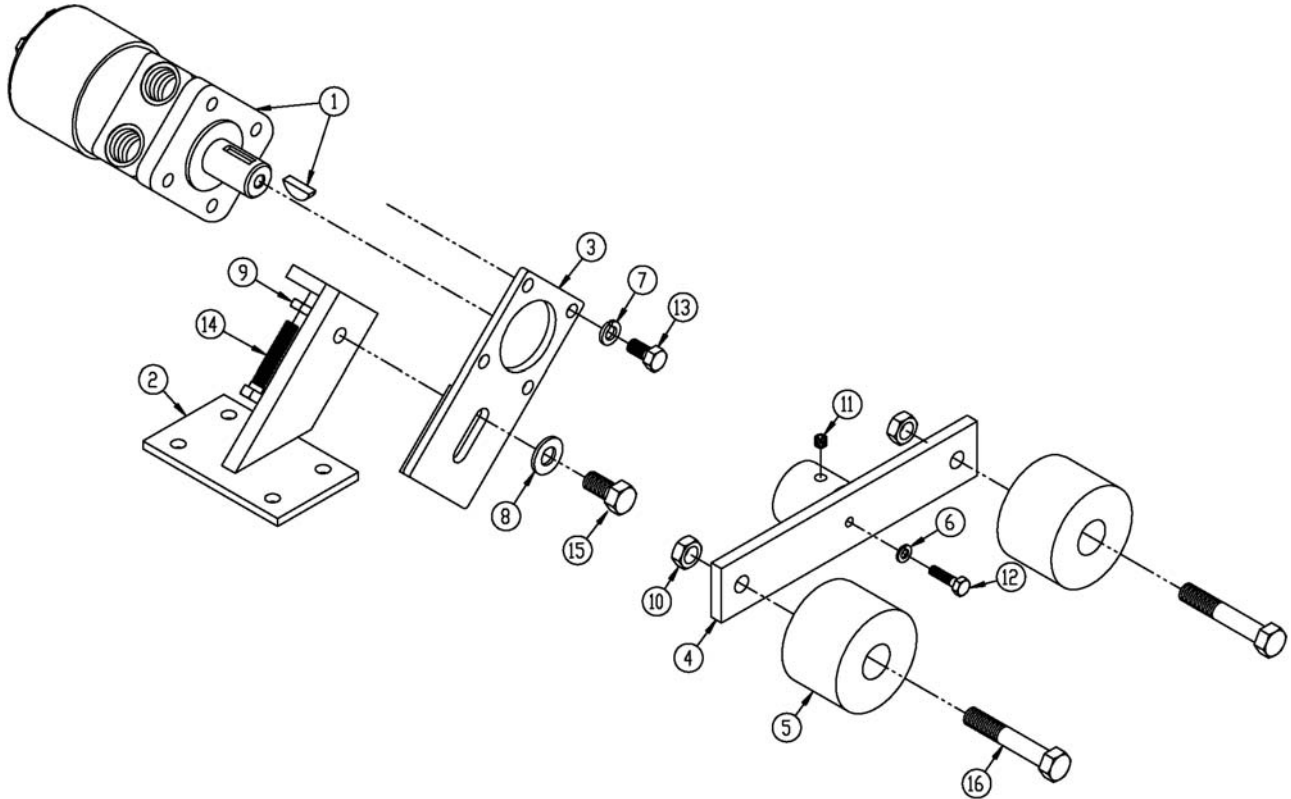
GROOMER BAR ASSEMBLY



ITEM QTY PART NO. DESCRIPTION

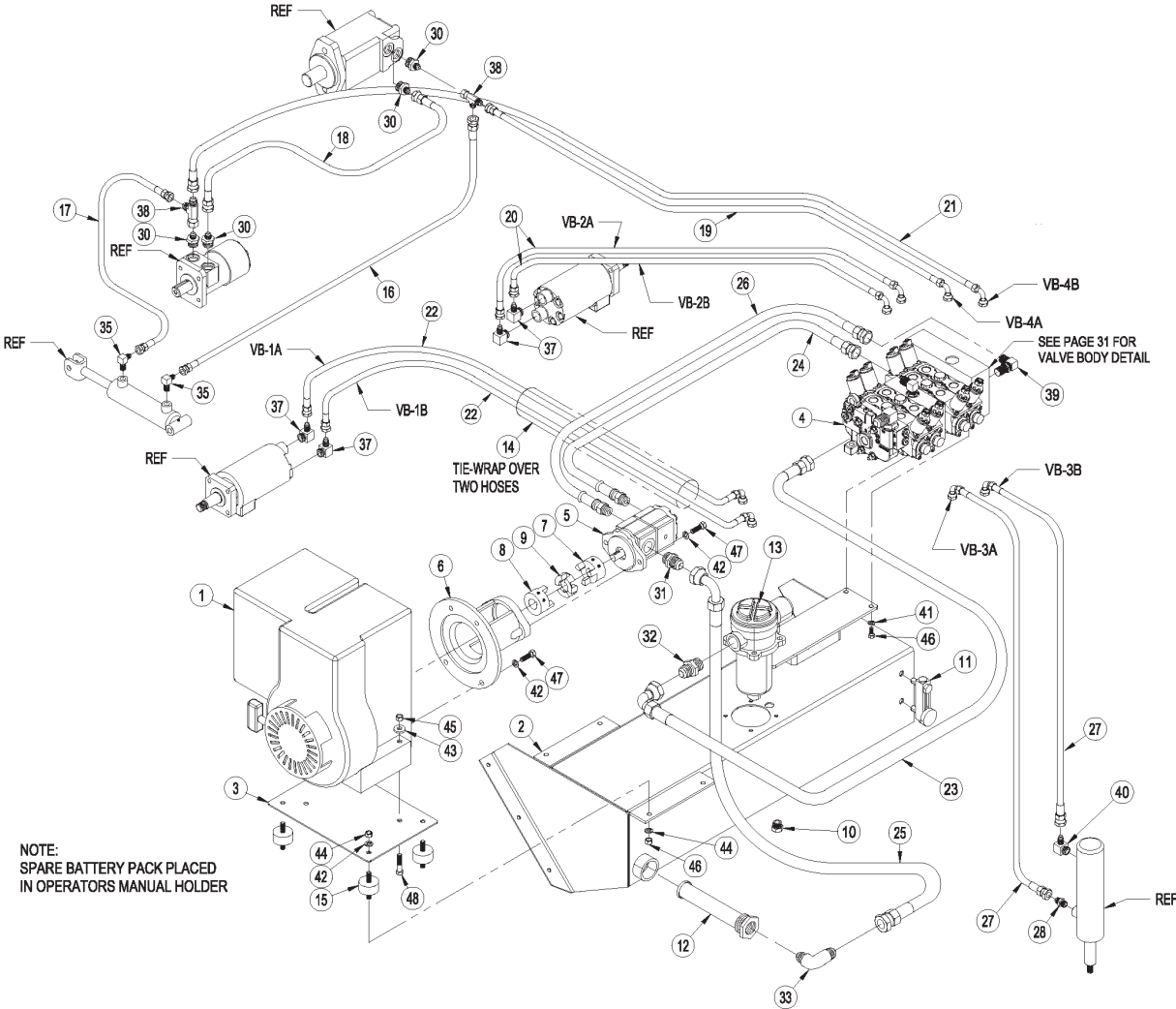
ITEM	QTY	PART NO.	DESCRIPTION
		M30182	GROOMER BAR ASSEMBLY (Includes Items 1-5)
1	1	M30181	DRAG COMB MOUNT
2	1	M30183	SNOW COMB
3	1	M30180	DRAG COMB STRAP
4	9	P104505	5/16" X 1-1/4" CARRIAGE BOLT
5	9	P155350	5/16" TOP LOCK NUT

SEPARATOR ASSEMBLY



ITEM	QTY	PART#	DESCRIPTION
1	1	P350500	PARKER MOTOR TC0130FS100AAA
		P350501	SEAL KIT
2	1	M30018	SEPARATOR MOUNT
3	1	M30019	SEPARATOR MOTOR MOUNT
4	1	M30020	SEPARATOR ARM
5	2	P761100	SNUGULATOR 2500BD1X
6	1	P851104	1/4" LOCK WASHER
7	4	P851106	3/8" LOCK WASHER
8	1	P852608	1/2" HARD WASHER
9	1	P155400	3/8" JAM NUT
10	2	P157200	1/2" JAM NUT
11	1	P108505	5/16" X 5/16" SET SCREW
12	1	P100404	1/4" X 1" HEX BOLT
13	4	P100603	3/8" X 3/4" HEX BOLT
14	1	P098608	3/8" X 2" FULL THD HEX BOLT
15	1	P100804	1/2" X 1" HEX BOLT
16	2	P100812	1/2" X 3" HEX BOLT

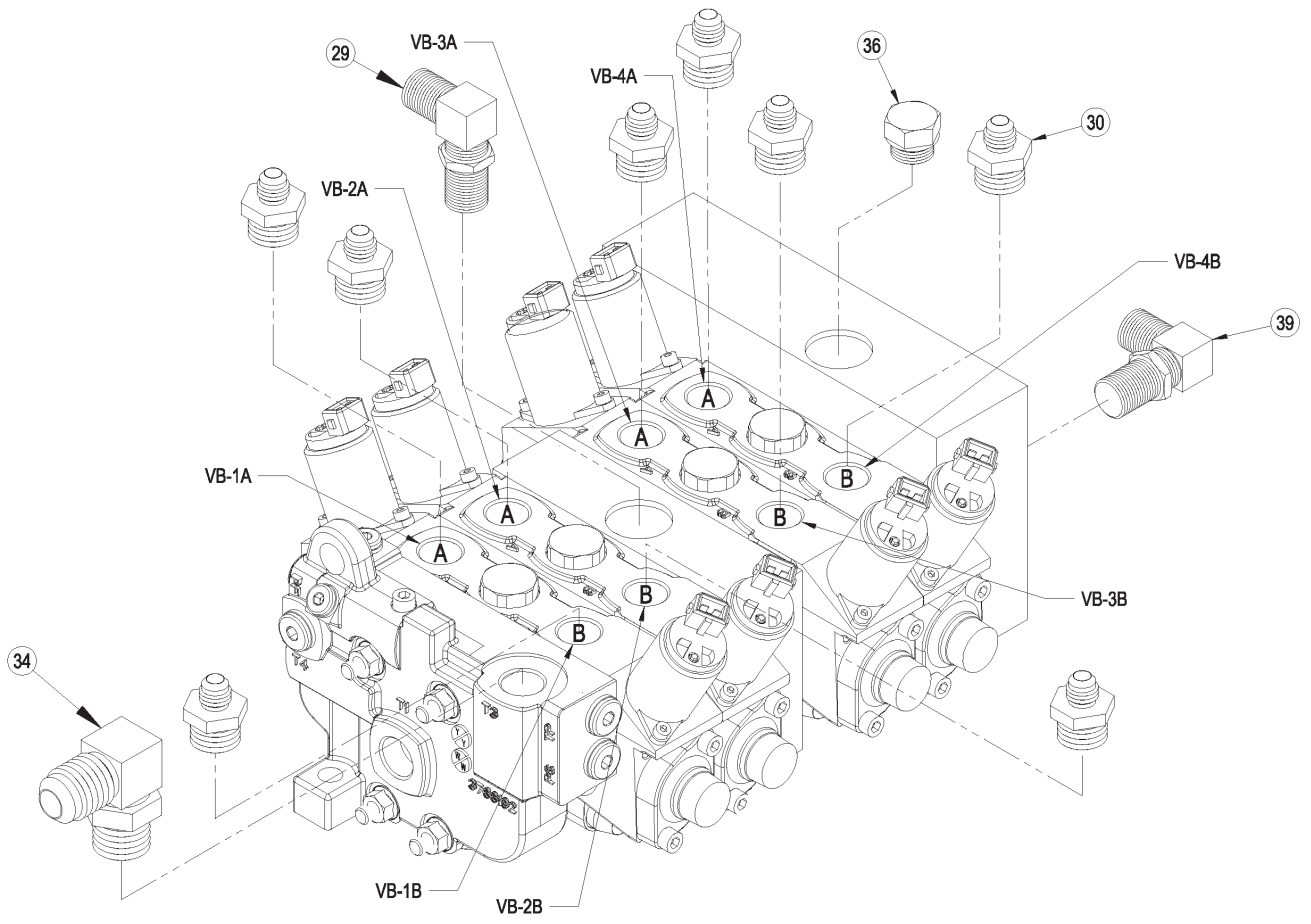
HYDRAULIC ASSEMBLY



NOTE:
SPARE BATTERY PACK PLACED
IN OPERATORS MANUAL HOLDER

See part number reference on page 32.

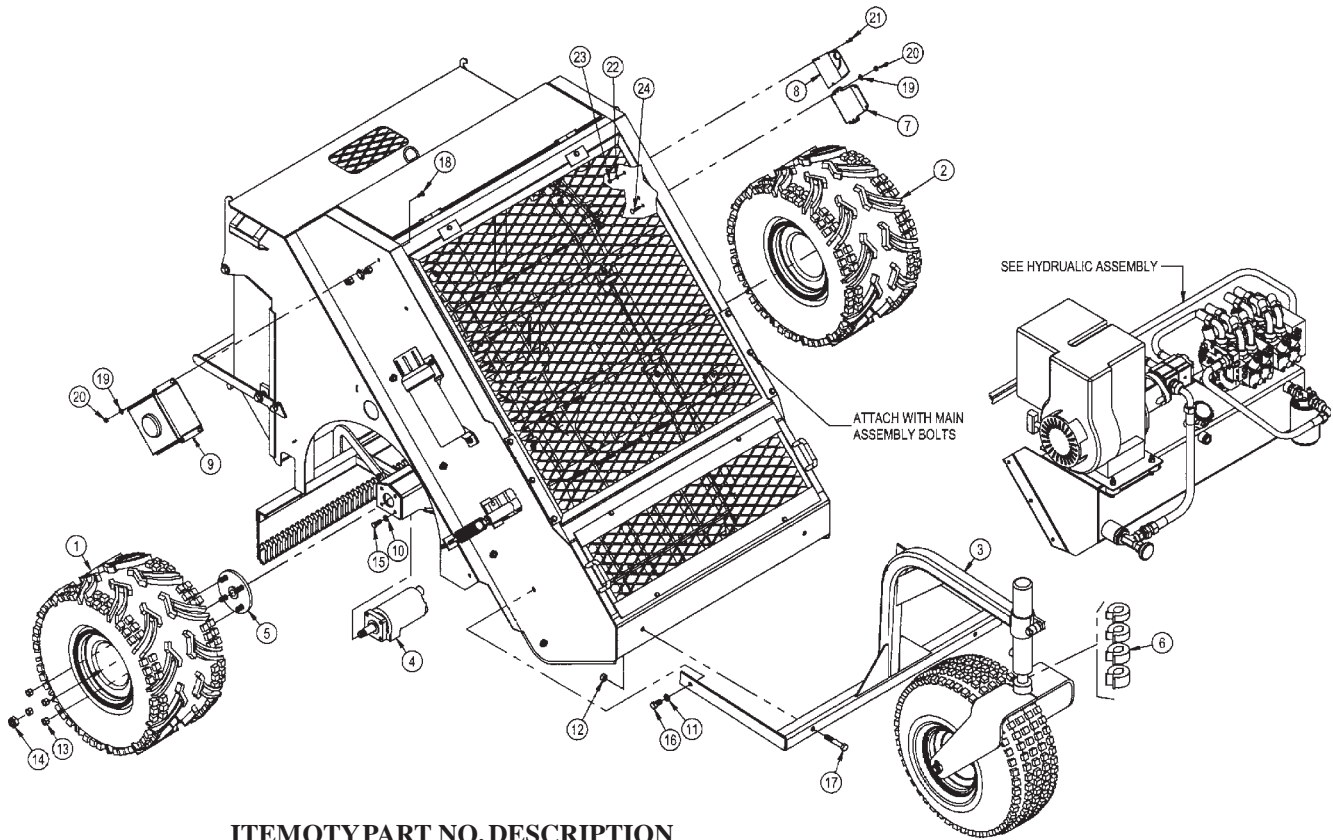
HYDRAULIC ASSEMBLY



HYDRAULIC ASSEMBLY

<u>ITEM</u>	<u>QTY</u>	<u>PART NO.</u>	<u>DESCRIPTION</u>
1	1	P370900	11 HP HONDA MOTOR
2	1	950006	950 HYDRAULIC RESEVIOR
3	1	950009	ENGINE MOUNT PLATE
4	1	P375005	VALVE: 4 SECTION PARKER P70
		<i>P375006</i>	<i>SOLENOID & COIL KIT #393000K286 (12 VOLT)</i>
		<i>P375007</i>	<i>SOLENOID & COIL KIT #393000K287 (24 VOLT)</i>
5	1	P359100	PUMP: GEAR, PARKER TANDEM (950)
6	1	P361100	ADAPTER: PUMP MOTOR
7	1	P360100	COUPLING: DRIVE, PM90 5/8" X 5/32"
8	1	P360115	COUPLING: DRIVE, PM90 1" X 1/4"
9	1	P360110	COUPLING, INSERT
10	1	P275200	#8 O-RING PORT
11	1	P297305	SIGHT LEVEL - TEMP GAGE
12	1	P610500	TANK STRAINER: (950) S15-100
13	1	P371840	MPT100 FILTER
14	2.5 ft	R99000105	SLEEVING: #24 - CORDURA (950)
15	4	P133030	RUBBER MOUNT:7/8" 8180-3035 COURSE THREAD
16	1	P244160	HOSE: 4D6 X 16" 4FJX 6FJX (950)
17	1	P246251	HOSE: 4D6 X 50" 4FJX 6FJX
18	1	P248042	HOSE: 6D6 X 42" 6FJX 6FJX
19	1	P248041	HOSE: 6D6 X 41" 6FJX 6FJX90
20	2	P248070	HOSE: 6D6 X 70" 6FJX 6FJX90
21	1	P248066	HOSE: 6D6 X 66" 6FJX 6FJX90
22	2	P248088	HOSE: 6D6 X 88" 6FJX 6FJX90
23	1	P255994	HOSE: 12D6 X 24" 12FJX 12FJX90
24	1	P251024	HOSE: 8D6 X 24" 8MB 8FJX
25	1	P255971	HOSE: 3/4"SUCTION X 21" 12FJX 12FJX90
26	1	P251636	HOSE: 8D6 X 36" 8MB 8FJX
27	2	P246241	HOSE: 4D6 X 41" 6FJX 6FJX90
28	1	P276101	FITTING: 6MJ 6MB
29	1	P261010	FITTING: 8MJ 8MB90 ELBOW
30	12	P276215	FITTING: 6MJ 10MB
31	1	P276450	FITTING: 12MJ 12MB
32	1	P277100	FITTING: 12MJ 16MB
33	1	P268850	FITTING: 16MP 12MJ90 ELBOW
34	1	P276470	FITTING: 12MJ 10MB 90° ELBOW
35	2	P261410	FITTING: 4MJ 4MP90
36	1	P270920	PLUG: 10 MB
37	4	P261530	FITTING: 6MJ 8MB90
38	2	P265550	FITTING: 6FJX 6MJ 6MJ TEE
39	1	P261610	FITTING: 8MJ 10MB90
40	1	P261350	FITTING: 6MJ 6MB90
41	4	P851105	WASHER: LOCK 5/16"
42	14	P851106	WASHER: LOCK 3/8"
43	4	P850806	WASHER: FLAT 3/8" SAE GR8
44	8	P150600	HEX NUT: 3/8" PLATED
45	4	P155450	NUT: 3/8" TOP-LOCK
46	4	P100503	HEX BOLT:5/16" X 3/4"GR.5Z
47	8	P100605	HEX BOLT:3/8" X 1 1/4"GR5Z
48	4	P100607	HEX BOLT:3/8" X 1 3/4"GR5Z

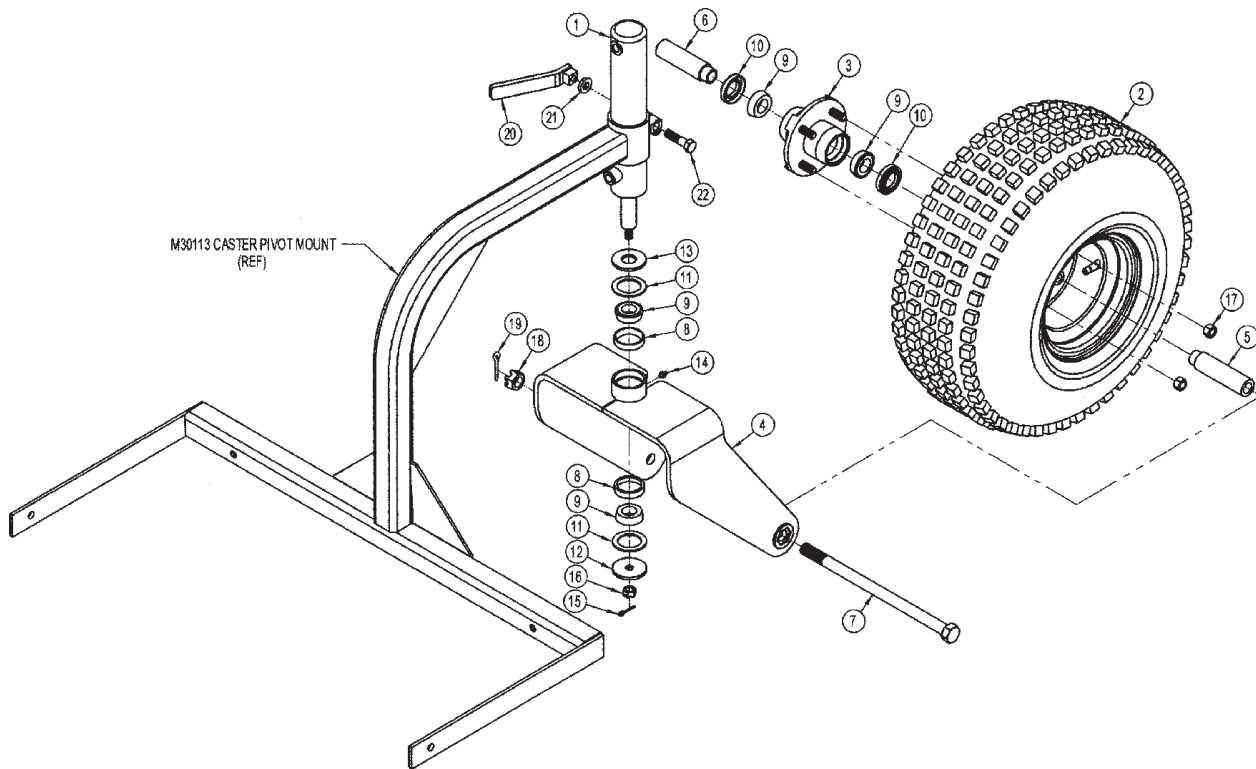
DRIVE ASSEMBLY



ITEM QTY PART NO. DESCRIPTION

ITEM	QTY	PART NO.	DESCRIPTION
1	1	M30140	WHEEL AND TIRE ASSEMBLY RIGHT
2	1	M30141	WHEEL AND TIRE ASSEMBLY LEFT
3	1	M30113	CASTER PIVOT MOUNT
4	2	P350800	PARKER MOTOR (TE0295FR250AAA)
5	2	P758000	4 BOLT HUB
6	1	P781000	STROKE CONTROL SET (7/8", 1", 1-1/4", 1-1/2")
7	1	P296802	REMOTE CONTROL RECEIVER
8	1	P296805	CONTROLLER: HIGH COUNTRY DVC5-K
9	1	P296803	E-STOP JUNCTION BOX
10	8	P851106	3/8" LOCK WASHER
11	2	P851108	1/2" LOCK WASHER
12	2	P155850	1/2" TOP LOCK NUT
13	8	P756165	1/2-20 WHEEL NUT
14	2	P157120	3/4" TOP LOCK NUT
15	8	P100604	3/8" X 1" HEX BOLT
16	2	P100804	1/2" X 1" HEX BOLT
17	2	P100812	1/2" X 3" HEX BOLT
18	4	P104403	1/4" X 3/4" CARRIAGE BOLT
19	6	P850104	1/4" FLAT WASHER
20	6	P158003	1/4" NYLOCK NUT
21	2	P111109	#10-24 HEX HEAD MACHINE SCREW
22	2	P852160	#10 FLAT WASHER
23	2	P158100	#10-24 HEX NUT
24	2	P104405	1/4" X 1-1/4" CARRIAGE BOLT
24	1	P296801	WIRING HARNESS (NOT SHOWN)

FRONT CASTER WHEEL ASSEMBLY



ITEM QTY PART NO. DESCRIPTION

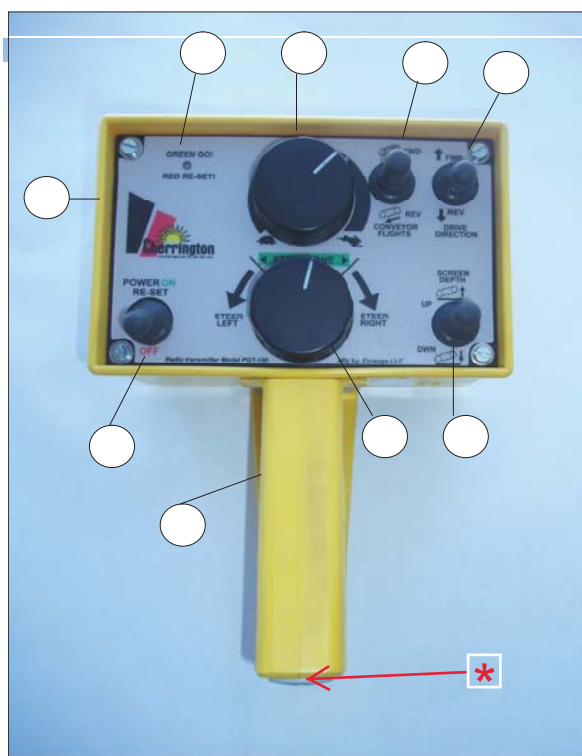
ITEM	QTY	PART NO.	DESCRIPTION
1	1	P257610	HYDRAULIC CYLINDER
2	1	005360	WHEEL ASSY: KNOBBY 22 X 11-8
3	1	P756161	WHEEL HUB WITH STUDS
4	1	M30121	950 CASTER WELDMENT
5	1	M30114	AXLE SPACER LONG
6	1	M30119	AXLE SPACER SHORT
7	1	M30120	AXLE BOLT 13-1/2"
8	2	P762100	1" BEARING CUP
9	4	P762200	1" BEARING CONE
10	2	P756163	GREASE SEAL
11	2	P852300	FELT WASHER
12	1	M5462	2-1/4" OD X 17/32" ID WASHER
13	1	M5464	2-1/4" OD X 1" ID WASHER
14	1	P620200	1/4-28 STR GREASE FITTING
15	1	P116204	1/8" X 1" COTTER PIN
16	1	P158006	1/2" SLOTTED HEX NUT
17	4	P756165	1/2-20 WHEEL NUT
18	1	P158000	3/4 SLOTTED HEX NUT
19	1	P116256	5/32" X 1-1/2" COTTER PIN
20	1	M6415	CASTER WHEEL
21	1	P852608	1/2" HARD WASHER
22	1	P102808	1/2" X 2" FINE THREAD HEX BOLT

ENRANGE REMOTE CONTROL: USED ON EARLY CBC MDL 950

ENRANGE HANDHELD REMOTE AND RECEIVER ARE OBSOLETE REPAIR PARTS AND SERVICES ARE UNSUPPORTED.

IF CONTROL SYSTEM HAS FAILED: REQUIRES COMPLETE SYSTEM UPDATE. UPDATE WITH COMPLETE CERVIS CONTROL PACKAGE P/N 71.P296842

ENRANGE (YELLOW) HANDHELD REMOTE



* ONLY REPLACEMENT ITEMS AVAILABLE

71.P002020 BATTERY CAP ONLY

71.P280952 BATTERY CAP AND BATTERY TUBE ASSY.

CERVIS (BLACK) HANDHELD REMOTE

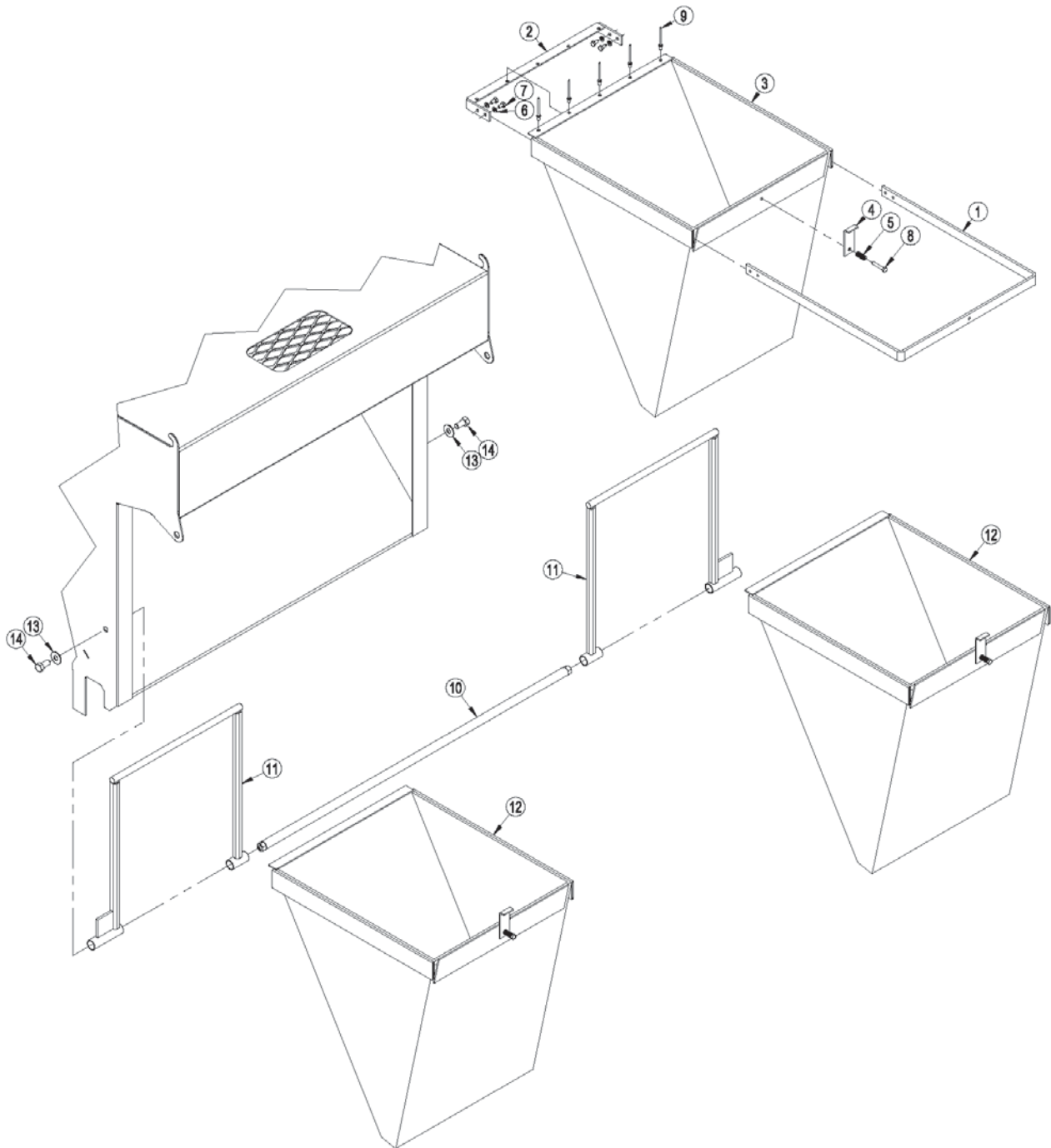


CERVIS (BLACK) HANDHELD REMOTE
CURRENT REMOTE USED ON CBC 950



OPTIONAL COLLECTION BAG ASSEMBLY

A collection bag assembly is available as an add-on option to your Model 950.



OPTIONAL COLLECTION BAG ASSEMBLY

<u>Item</u>	<u>Qty</u>	<u>Part ID</u>	<u>Description</u>
1	1	M30157	BAGGER TOP HOLDER
2	1	M30158	TOP HOLDER BRACKET
3	1	M30159	COLLECTION BAG
4	1	M30161	BAG LATCH
5	1	P601050	SPRING: COMPRESSION, .48 OD X 1"
6	4	P851104	WASHER: LOCK, 1/4"
7	4	P100402	BOLT: HEX, 1/4" X 1/2"
8	1	P100406	BOLT: HEX, 1/4" X 1 1/2"
9	5	P126272	POP RIVET: LARGE FLANGE, 1/8" X 3/8"
10	1	M30156	BAGGER CROSS BAR
11	2	M30155	BAGGER MOUNT
12	2	M30162	COLLECTION BAG ASSEMBLY
13	2	P850107	WASHER: FLAT, 7/16"
14	2	P100804	BOLT: HEX, 1/2" X 1"