



*Model 700/800*

*A ~ Series*

*Beachcleaner/Sandsifter*

*Serial Numbers*

*PT73B001 - PT7C000*

*Parts requirements are subject to change without notice and parts may be substituted by Glenmac/Harley Enterprises*

*Please refer to the latest parts price book for current parts pricing, or call (800) 437-9779, Fax (701) 251-9259, E-mail [customer\\_service@glenmac.com](mailto:customer_service@glenmac.com)*

# DECALS

**WARNING**

DO NOT ALLOW ANYONE TO OPERATE BEACH CLEANER WHO HAS NOT BEEN PROPERLY TRAINED IN ITS SAFE OPERATION AND HAS NOT READ AND UNDERSTOOD THE OPERATOR'S MANUAL.

BEFORE ATTACHING, CHECK TRACTOR'S 3PT. LIFT CAPACITY, OR ATV'S HITCH CAPACITY, TO ENSURE ITS ABILITY TO SAFELY HANDLE THE WEIGHT.

DO NOT OPERATE WITHOUT GUARDS/SHIELDS IN PLACE AND IN GOOD WORKING ORDER.

STOP ALL MOVING PARTS INCLUDING TRACTOR OR ATV'S ENGINE, AND ENGINE ON BEACH CLEANER (IF EQUIPPED), BEFORE CLEANING, UNPLUGGING, ADJUSTING, AND/OR PERFORMING MAINTENANCE.

KEEP BYSTANDERS 10 FEET FROM POWER RAKE WHEN IN OPERATION.

FAILURE TO FOLLOW THE ABOVE SAFETY SUGGESTIONS AND THOSE IN THE OPERATOR'S MANUAL CAN RESULT IN SERIOUS INJURY OR DEATH.

P970101

#6 P970101



**! DANGER**

**KEEP CLEAR OF MOVING CONVEYOR**

Failure to do this may result in entanglement leading to serious injury or death.

#1 P977910

**! CAUTION**

**DON'T BE CARELESS**

Prevent personal injury.  
Shut down engine before any service.

#2 P977920



**CAUTION**

**SURFACE MAY BE HOT**

#3 P977925

**! DANGER**

**SHIELD MISSING**

DO NOT OPERATE - PUT SHIELD ON

18869-B

#5 P975107

**WARNING**



**KEEP GUARDS IN PLACE**

Removal may result in loss of finger and/or other body parts.

#4 P977900



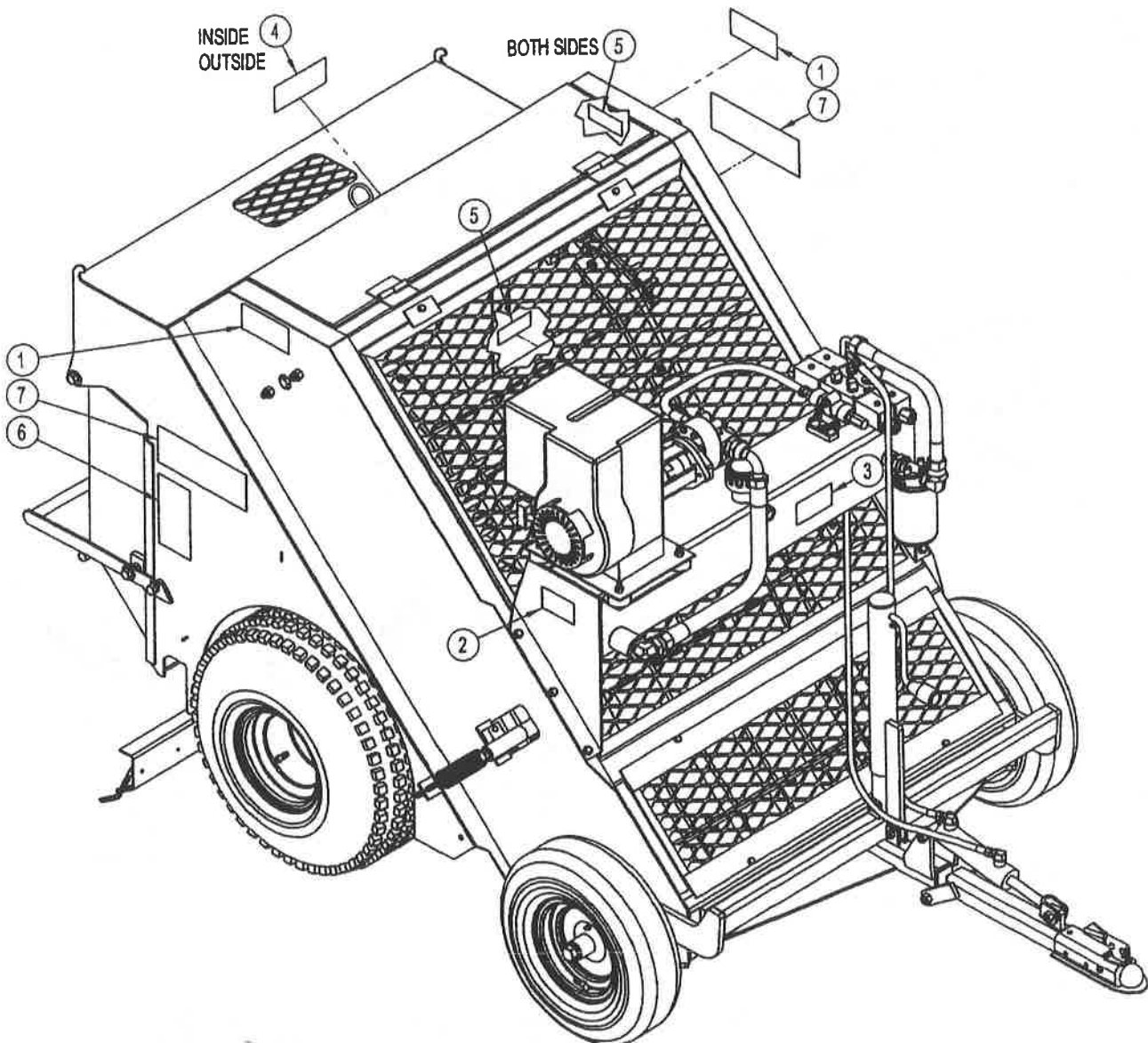
**! DANGER**

Stay at least 9 feet (3m) away from operating equipment.  
Flying objects and rotating parts can cause injury or death.  
Stop engine before cleaning or servicing.  
Keep all guards in place.

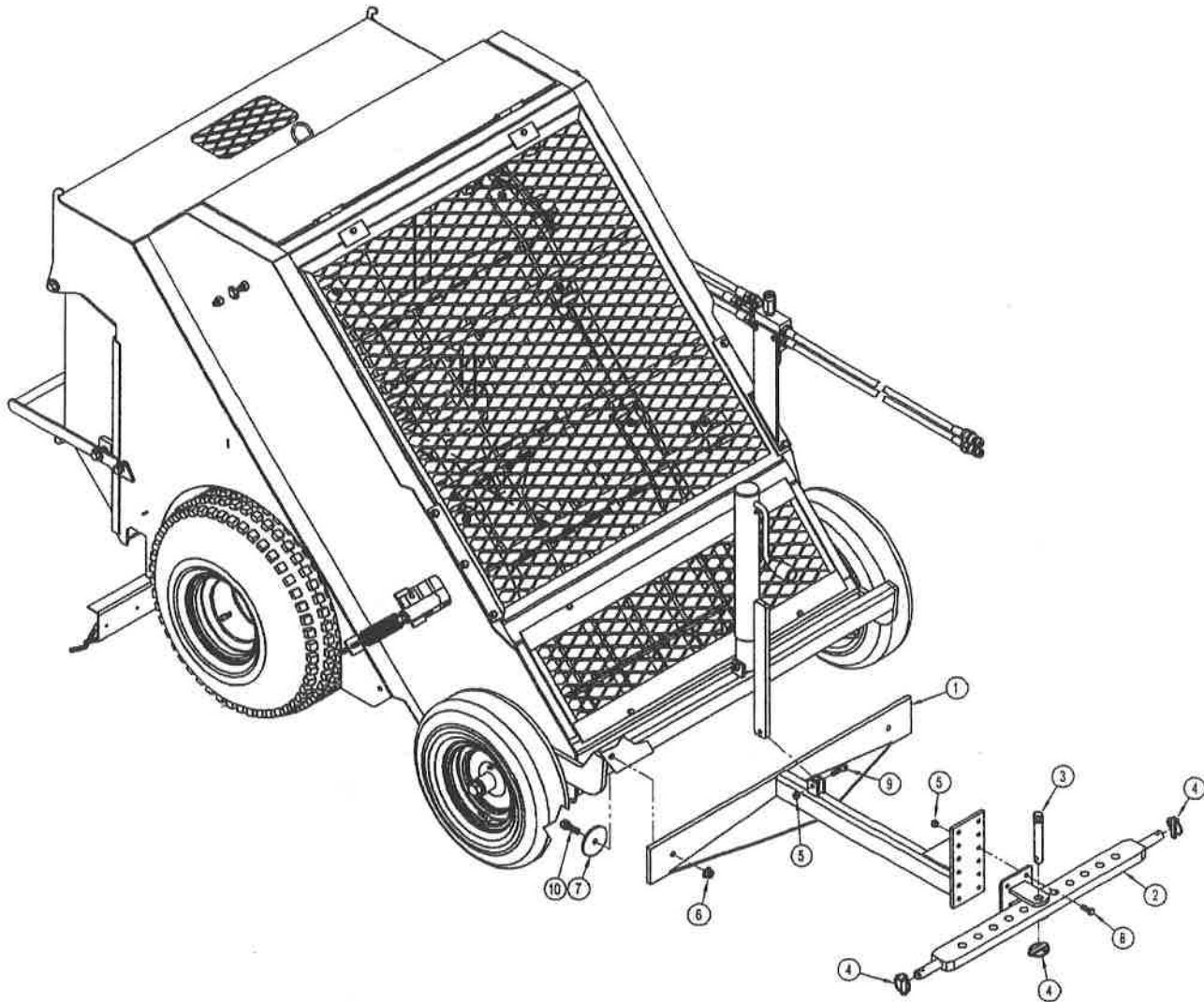
P970251

#7 P970251

# DECALS



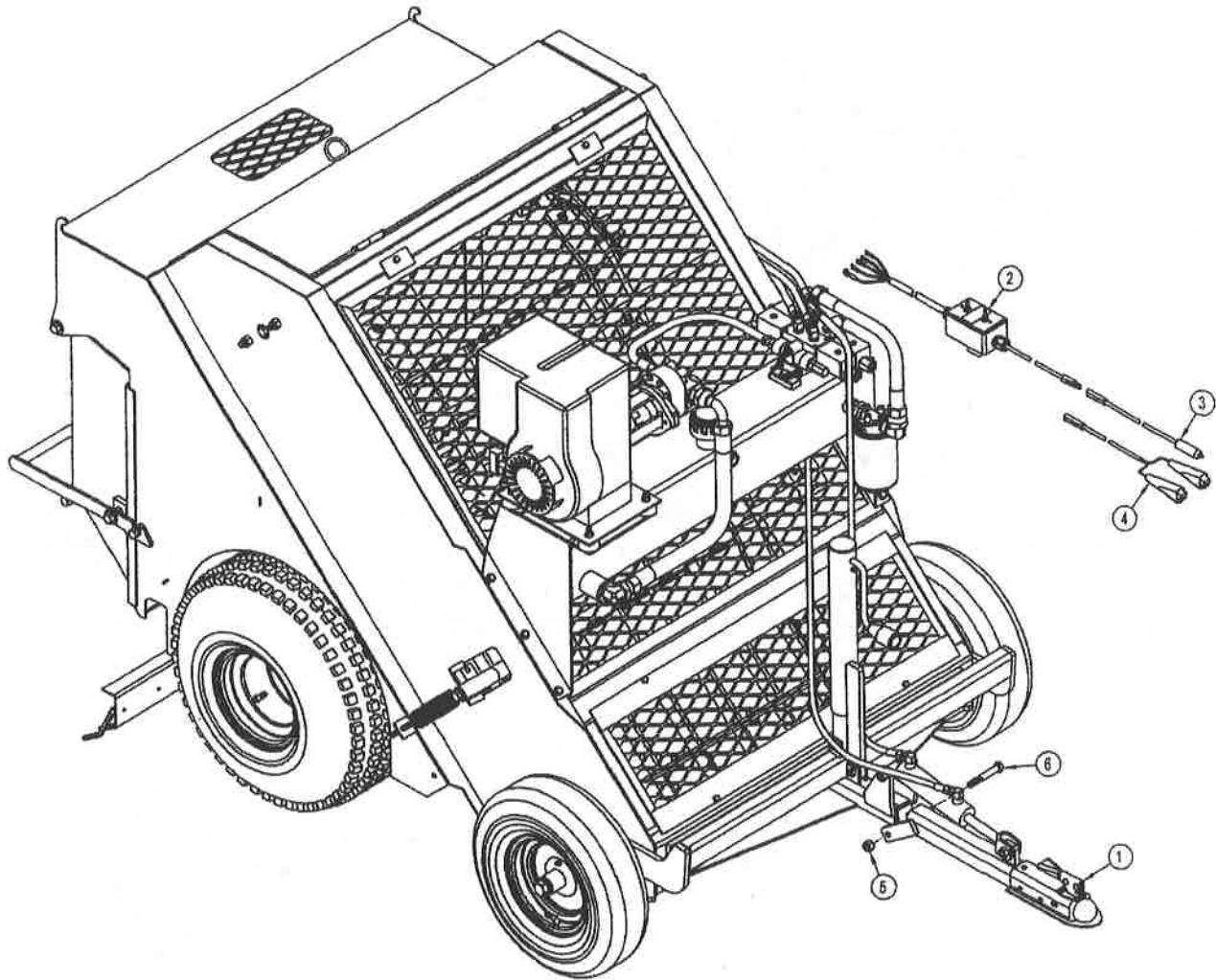
# ASSEMBLY 700



**ITEM QTY PART NO. DESCRIPTION**

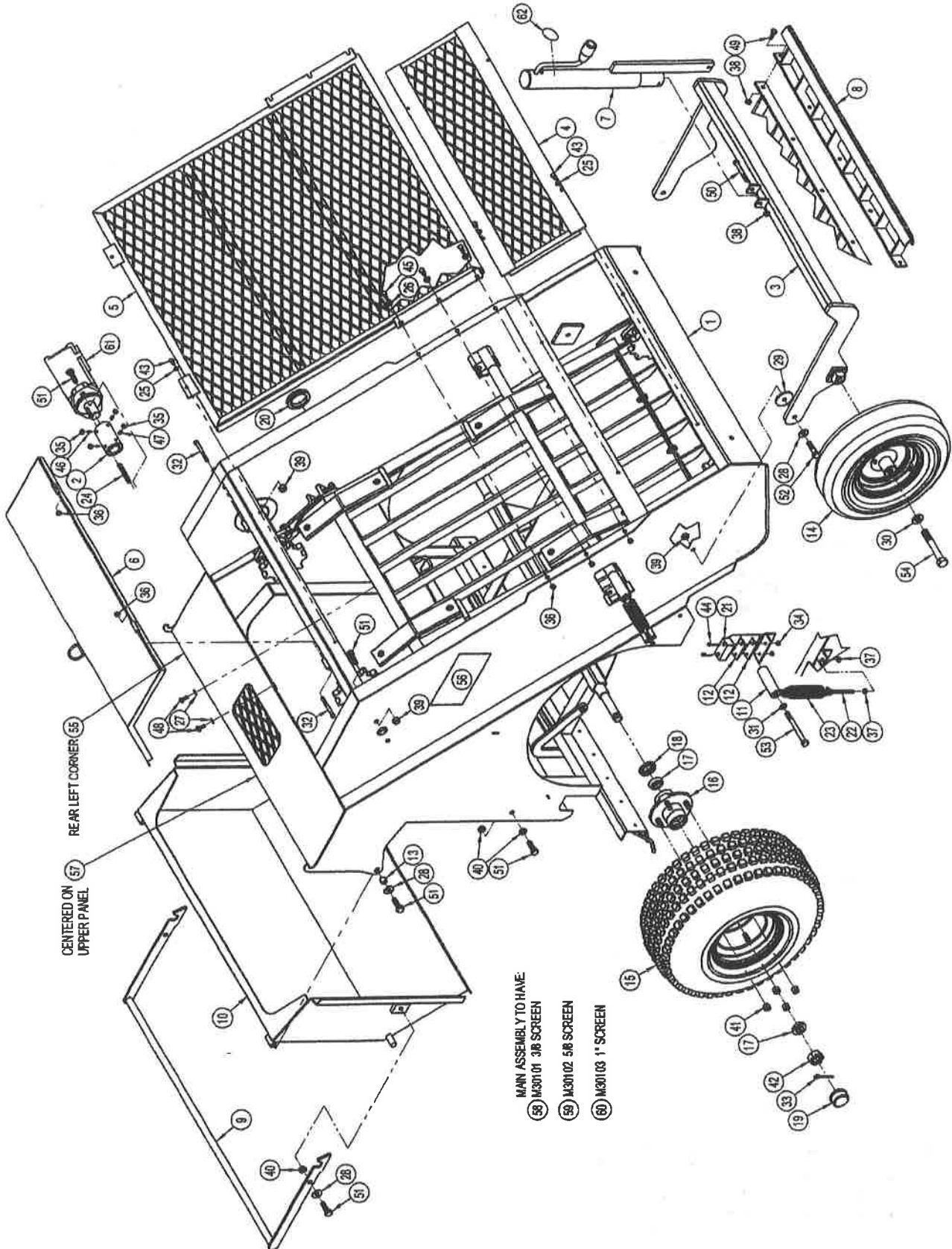
1	1	M30028	700 HITCH TONGUE
2	1	P465000	3 POINT CROSS BAR
3	1	P120210	3/4" X 3-78" CLEVIS PIN
4	3	P126207	7/16" LYNCH PIN
5	5	P155450	3/8" TOP LOCK NUT
6	2	P155851	1/2" SERRATED FLANGENUT
7	2	M6223	3/16" X 1/2" X 3" WASHER
8	4	P100604	3/8" X 1" HEX BOLT
9	1	P100606	3/8" X 1-1/2" HEX BOLT
10	2	P100806	1/2" X 1-1/2" HEX BOLT

# ASSEMBLY 800



ITEM	QTY	PART NO.	DESCRIPTION
1	1	M30026	1-7/8" BALL HITCH PIVOT TONGUE
2	1	M30061	800 SWITCH ASSEMBLY
3	1	M60091	POWER PIGTAIL
4	1	M6726	CABLE ASSEMBLY
5	1	P155850	1/2" TOP LOCK NUT
6	1	P100814	1/2" X 3-1/2" HEX BOLT

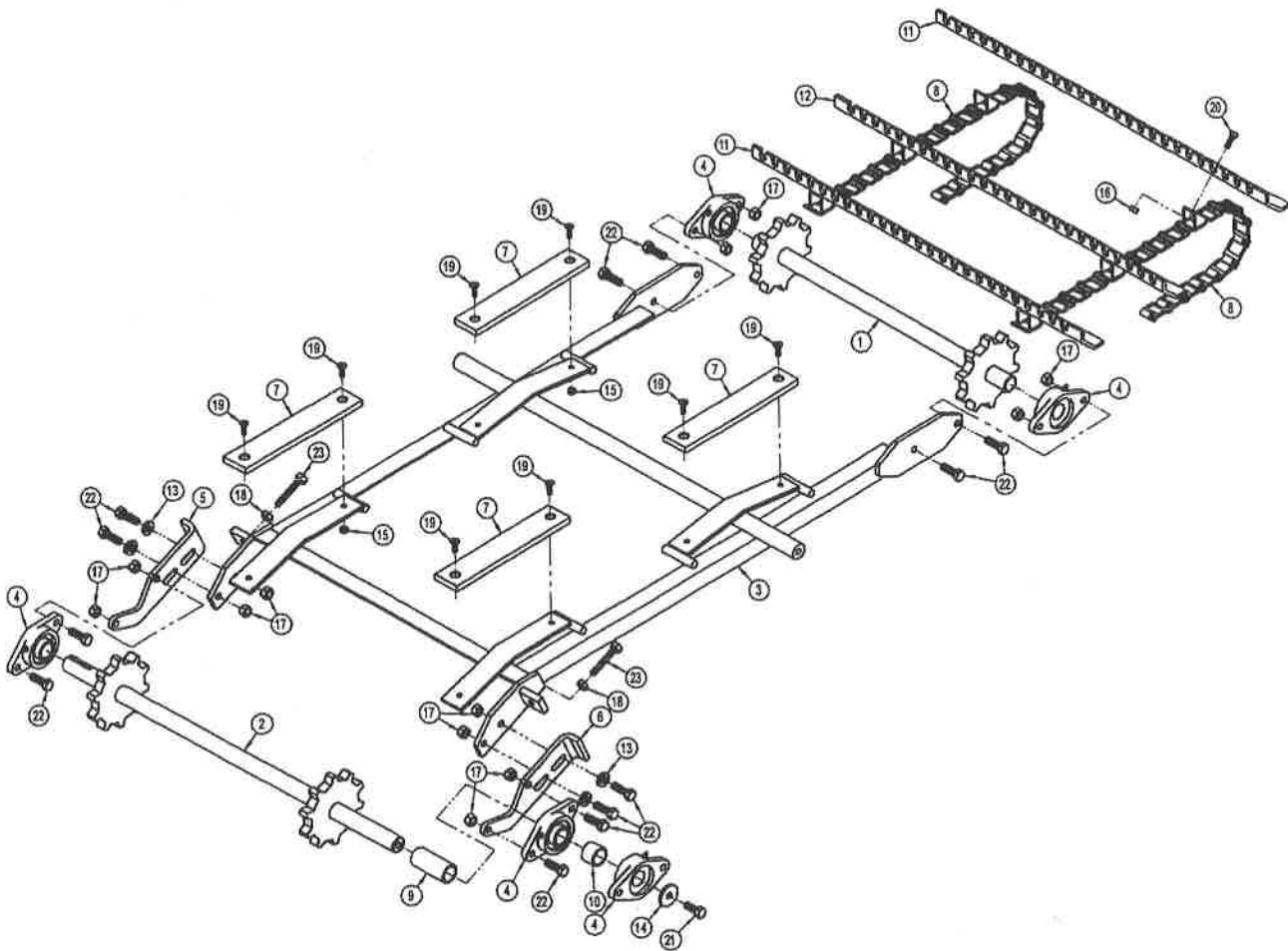
# GENERAL ASSEMBLY



# GENERAL ASSEMBLY

ITEM	QTY	PART NO.	DESCRIPTION	ITEM	QTY	PART NO.	DESCRIPTION
1	1	M30003	MAIN FRAME	51	10	P100806	1/2" X 1-1/2" HEX BOLT
2	1	M30022	CONVEYOR SHAFT COUPLER	52	2	P100808	1/2" X 2" HEX BOLT
3	1	M30031	GAUGE WHEEL MOUNT	53	2	P100820	1/2" X 5" HEX BOLT
4	1	M30047	LOWER FRONT SHIELD	54	2	P101220	3/4" X 5" HEX BOLT
5	1	M30048	UPPER FRONT SHIELD	55	1	P977311	DECAL: SMALL SUN
6	1	M30070	REAR SHIELD	56	2	P977200	DECAL: HARLEY MAN/BEACH CLEANER
7	1	M30066	HITCH JACK				
8	1	M30078	DIGGER POINT	57	1	P977100	DECAL: CHERRINGTON BEACH CLEANER
9	1	M30080	HOPPER DOOR HANDLE				
10	1	M30082	HOPPER WELDMENT	58	1	M30101	3/8" SCREEN
11	2	M30075	CONVEYOR HOLD DOWN	59	1	M30102	5/8" SCREEN
12	4	M30079	BUMPER SPACER	60	1	M30103	1" SCREEN
13	2	M30081	LATCH PIVOT BUSHING	61	1	P350700	HYD MOTOR CHAR-LYNN 2000, 104-1026
14	2	P770100	GAUGE WHEEL AND TIRE				
		P756151	WHEEL BEARING KIT			P350701	SEAL KIT
15	2	P770500	REAR WHEEL AND TIRE	62	1	P977930	DECAL: DIGGER POINT
16	2	M30133	WHEEL HUB ASSY	63	2	M30132	REAR HUB SPINDLE
17	4	P762200	1" BEARING CONE	64	8	P100605	3/8" X 1-1/4" HEX BOLT
18	2	P756163	GREASE SEAL	65	1	P100503	5/16" X 3/4" HEX BOLT
19	2	P756166	DUST CAP	66	1	P100505	5/16" X 1-1/4" HEX BOLT
20	1	P133060	GROMMET	67	1	M80139	HOOD LOCK
21	2	P605000	BUMPER PAD				
22	2	P135100	3/8" EYE BOLT				
23	2	P601500	EXTENSION SPRING				
24	1	M5000-9	5/16" X 3" SQUARE KEY				
25	6	P851104	1/4" LOCK WASHER				
26	6	P850104	1/4" FLAT WASHER				
27	2	P850105	5/16" FLAT WASHER				
28	6	P850107	7/16" FLAT WASHER				
29	2	M5462	3/16" X 1/2" ID X 2-1/4" OD WASHER				
30	2	P850812	3/4" SAE WASHER				
31	2	P851108	1/2" LOCK WASHER				
32	2	P110512	5/16" X 3" SOCKET HD CAP SCREW				
33	2	P116306	3/16" X 1-1/2" COTTER PIN				
34	4	P158003	1/4" NYLOCK NUT				
35	6	P155300	5/16" JAM NUT				
36	9	P155350	5/16" TOP LOCK NUT				
37	4	P155400	3/8" JAM NUT				
38	14	P155450	3/8" TOP LOCK NUT				
39	6	P155850	1/2" TOP LOCK NUT				
40	6	P157200	1/2" JAM NUT				
41	8	P756165	1/2-20 WHEEL NUT				
42	2	P156402	1" -14 SLOTTED HEX NUT				
43	6	P100403	1/4" x 3/4" HEX BOLT				
44	4	P110912	1/4" X 1-1/4" SOCKET HEAD CAP SCREW				
45	6	P100504	5/16" X 1" HEX BOLT				
46	2	P108508	5/16" X 1/2" SET SCREW				
47	2	P108512	5/16" X 3/4" SET SCREW				
48	2	P100603	3/8" X 3/4" HEX BOLT				
49	5	P100604	3/8" X 1" HEX BOLT				
50	1	P100612	3/8" X 3" HEX BOLT				

# CONVEYOR ASSEMBLY

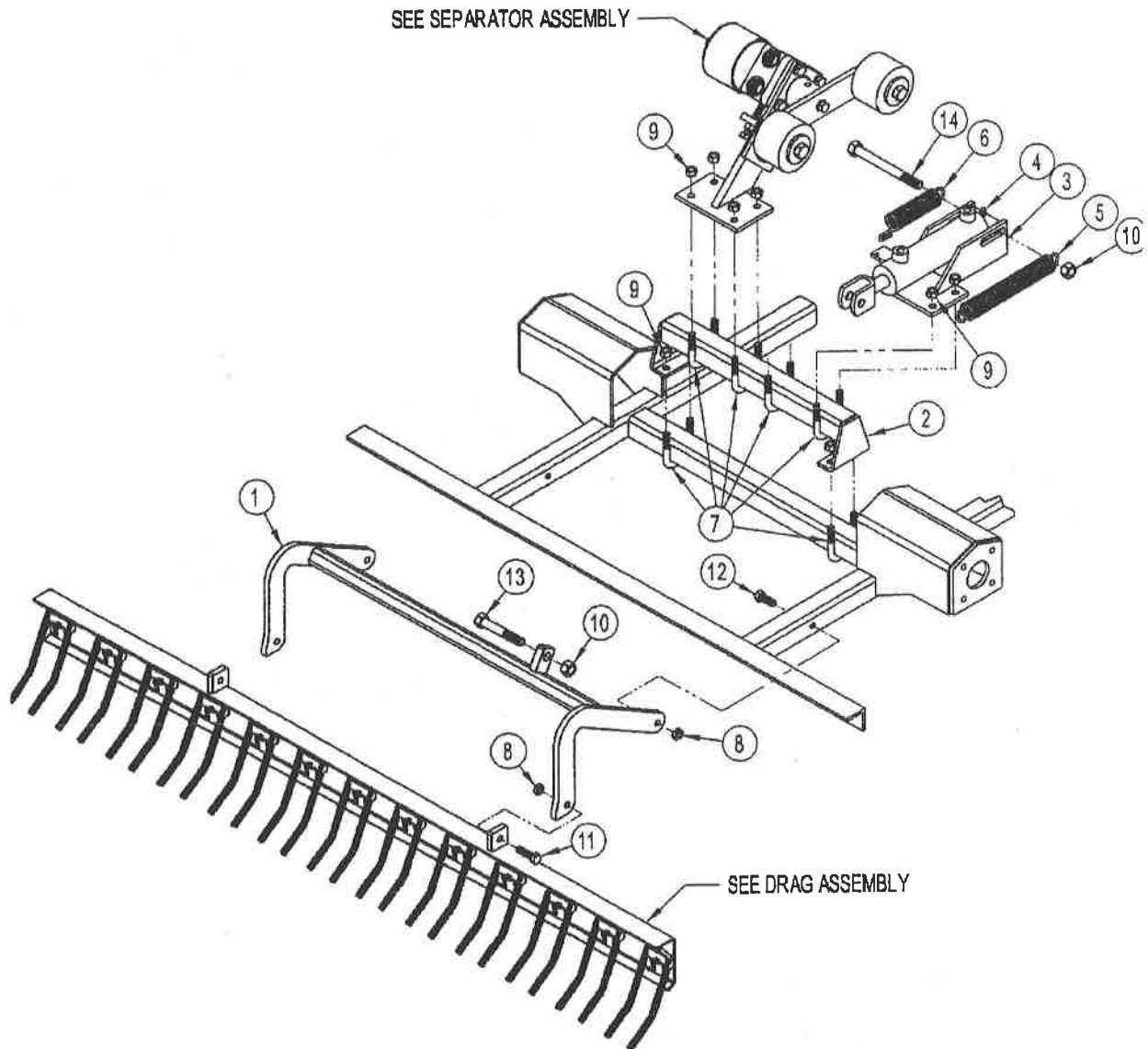


## ITEM QTY PART NO. DESCRIPTION

ITEM	QTY	PART NO.	DESCRIPTION
1	1	M30015	FRONT CONVEYOR SHAFT
2	1	M30016	REAR CONVEYOR SHAFT
3	1	M30006	CONVEYOR SUPPORT WELDMENT
4	5	M30073	1-1/4" MODIFIED FLANGE BEARING
5	1	M30007	CONVEYOR ADJUSTMENT BRACKET L
6	1	M30008	CONVEYOR ADJUSTMENT BRACKET R
7	4	M30086	WEAR STRIP
8	2	M30094	CONVEYOR CHAIN WELDMENT
9	1	M30088	3.219 LG CONVEYOR SHAFT SPACER
10	1	M30089	1.125 LG CONVEYOR SHAFT SPACER
11	6	M30092	FLIGHT BLADE RIGHT HAND
12	6	M30093	FLIGHT BLADE LEFT HAND
13	4	P852608	1/2" HARD WASHER
14	1	M5009-5	3/16" X 1/2" X 1-3/4" WASHER
15	8	P155350	5/16" TOP LOCK NUT
16	24	P155450	3/8" TOP LOCK NUT
17	12	P155850	1/2" TOP LOCK NUT
18	2	P157200	1/2" JAM NUT
19	8	P103504	5/16-18 X 1.00 FLAT HD CAP SCREW
20	24	P100604	3/8" X 1" HEX BOLT
21	1	P102805	1/2" X 1-1/4" FINE THD HEX BOLT
22	12	P100806	1/2" X 1-1/2" HEX BOLT
23	2	P098810	1/2" X 2-1/2" FULL THD HEX BOLT

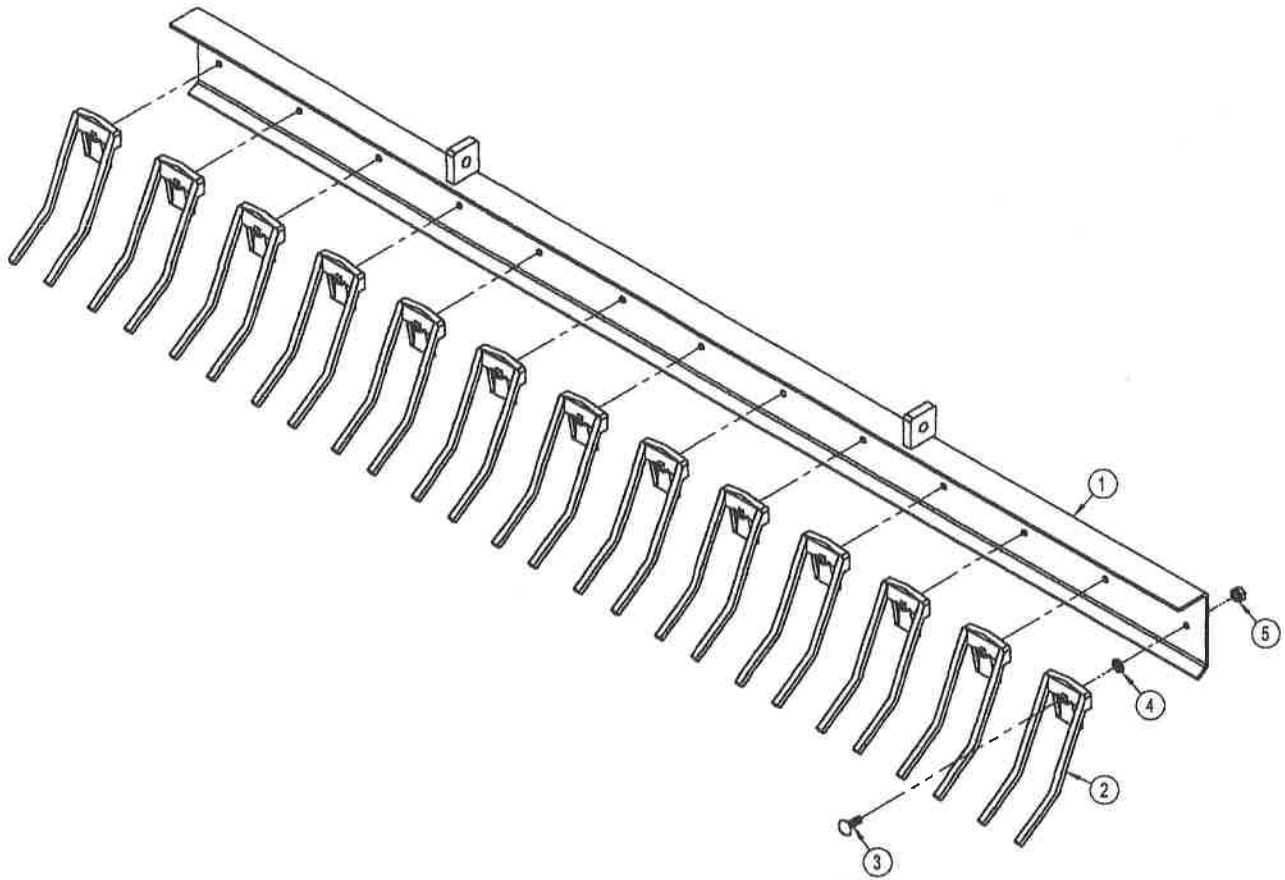


# GROOMER & SEPARATOR ASSEMBLY



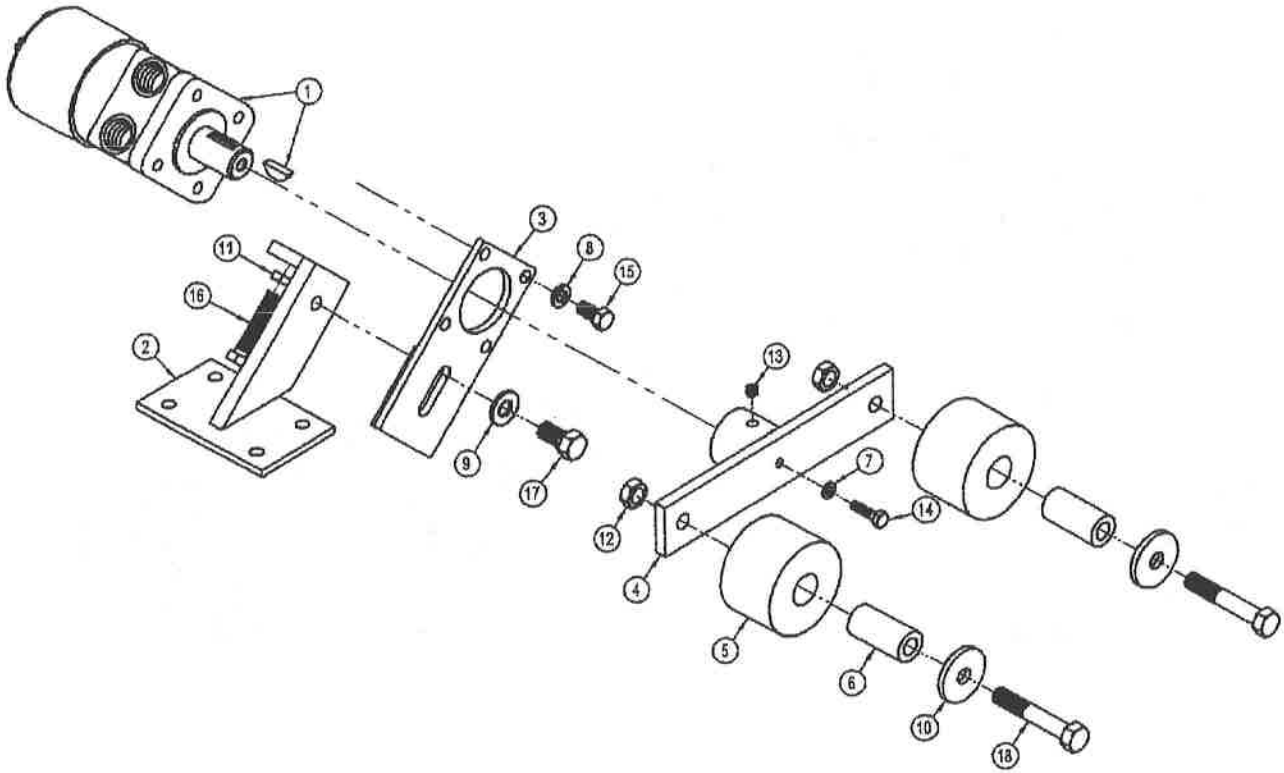
ITEM	QTY	PART NO.	DESCRIPTION
1	1	M30067	LIFT FRAME
2	1	M30110	CONVEYOR RISER BRACKET
3	1	M30023	REAR CYLINDER MOUNT
4	1	P256200	HYDRAULIC CYLINDER 1-1/2" X 4"
		P256201	SEAL KIT
5	1	P601150	EXTENSION SPRING
6	1	P604700	EXTENSION SPRING
7	6	P127204	U-BOLT 3/8" X 1-1/2" X 2-1/4"
8	4	P155400	3/8" JAM NUT
9	12	P155450	3/8" TOP LOCK NUT
10	2	P155850	1/2" TOP LOCK NUT
11	2	P100605	3/8" X 1-1/4" HEX BOLT
12	2	P100609	3/8" X 2-1/4" HEX BOLT
13	1	P100812	1/2" X 3" HEX BOLT
14	1	P100820	1/2" X 5" HEX BOLT

# GROOMER BAR ASSEMBLY



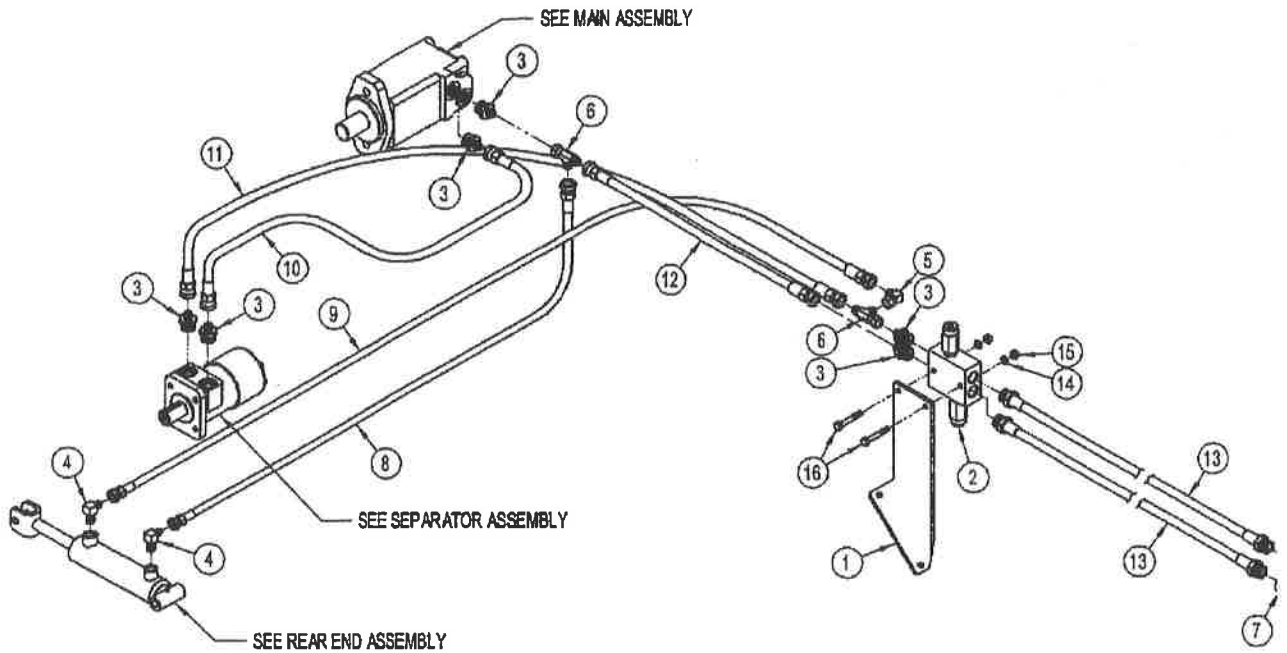
ITEM	QTY	PART NO.	DESCRIPTION
1	1	M30068	DRAGMOUNT
2	13	P703500	NYLONTINE
3	13	P104403	1/4" X 3/4" CARRIAGE BOLT
4	13	P851204	1/4" EXTERNAL STAR WASHER
5	13	P158003	1/4" ELASTIC LOCK NUT

# SEPARATOR ASSEMBLY



ITEM	QTY	PART NO.	DESCRIPTION
1	1	P350600	DAN FOSS HYD MOTOR.DH160 151-2045
		P350601	SEAL KIT
2	1	M30018	SEPARATOR MOUNT
3	1	M30019	SEPARATOR MOTOR MOUNT
4	1	M30019	SEPARATOR ARM
5	2	M30083	SEPARATOR ROLLER
6	2	M30084	SEPARATOR SLEEVE
7	1	P851104	1/4" LOCK WASHER
8	4	P851106	3/8" LOCK WASHER
9	1	P852608	1/2" HARD WASHER
10	2	M5009-5	3/16" X 1-1/2" X 1-3/4" WASHER
11	1	P155400	3/8" JAM NUT
12	2	P157200	1/2" JAM NUT
13	1	P108505	5/16" X 5/16" SET SCREW
14	1	P100404	1/4" X 1.00 HEX BOLT
15	4	P100603	3/8" X 3/4" HEX BOLT
16	1	P098608	3/8" X 2.00 FULL THD HEX BOLT
17	1	P100804	1/2" X 1.00 HEX BOLT
18	2	P100812	1/2" X 3.00 HEX BOLT

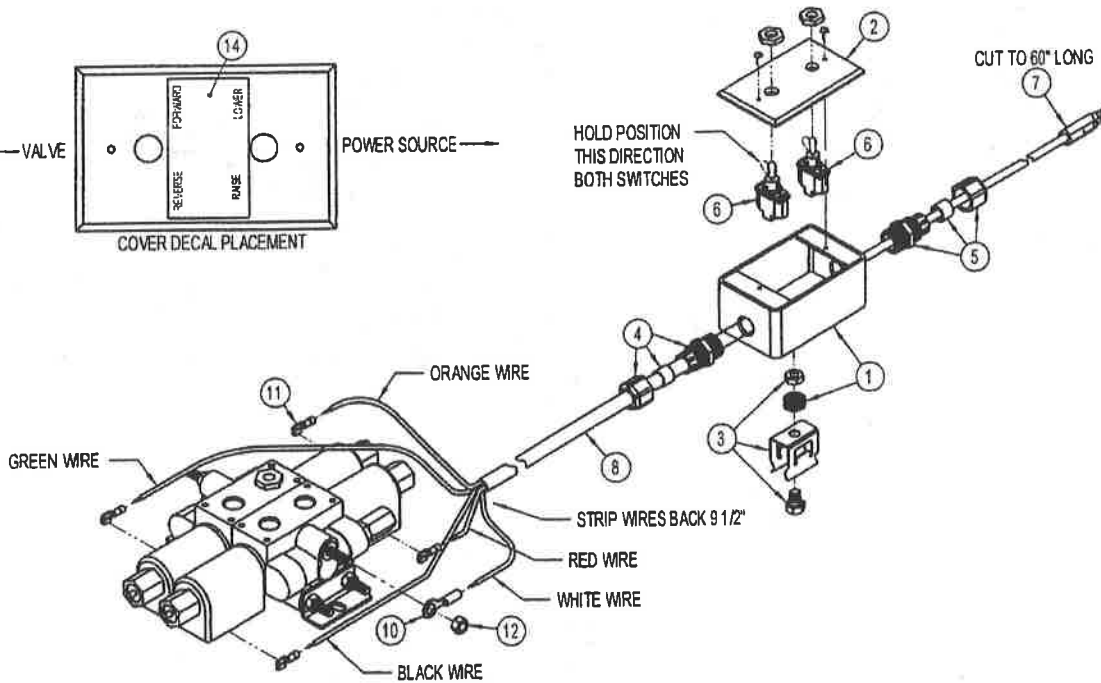
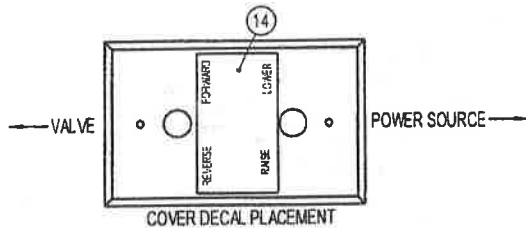
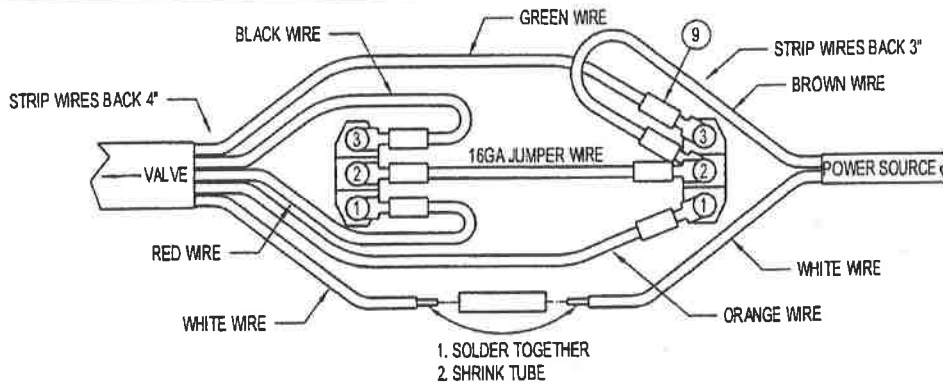
# 700 HYDRAULIC ASSEMBLY



## ITEM QTY PART NO. DESCRIPTION

ITEM	QTY	PART NO.	DESCRIPTION
1	1	M30072	VALVE BRACKET
2	1	P293200	CROSSOVER RELIEF VALVE (CRV10-22H-10T-NC-25/15)
3	6	P276215	ADAPTER 10MB-6MJ
4	2	P261410	ELBOW 4MP-4MJ90 DEGREES
5	1	P261510	ELBOW 6FJX-6MJ90 DEGREES
6	2	P265550	TEE 6FJX-6MJ-6MJ
7	2	P272661	MALE COUPLER
8	1	P245050	1/4" HOSE 4FJX-6FJX 50"
9	1	P245068	1/4" HOSE 4FJX-6FJX 68"
10	1	P248042	3/8" HOSE 6FJX-6FJX 42"
11	1	P248060	3/8" HOSE 6FJX-6FJX 60"
12	1	P248036	3/8" HOSE 6FJX-6FJX 36"
13	2	P248080	3/8" HOSE 10MB-10MB 80"
14	2	P851105	5/16" LOCK WASHER
15	2	P150500	5/16" HEX NUT
16	2	P100508	5/16" X 2" HEX BOLT

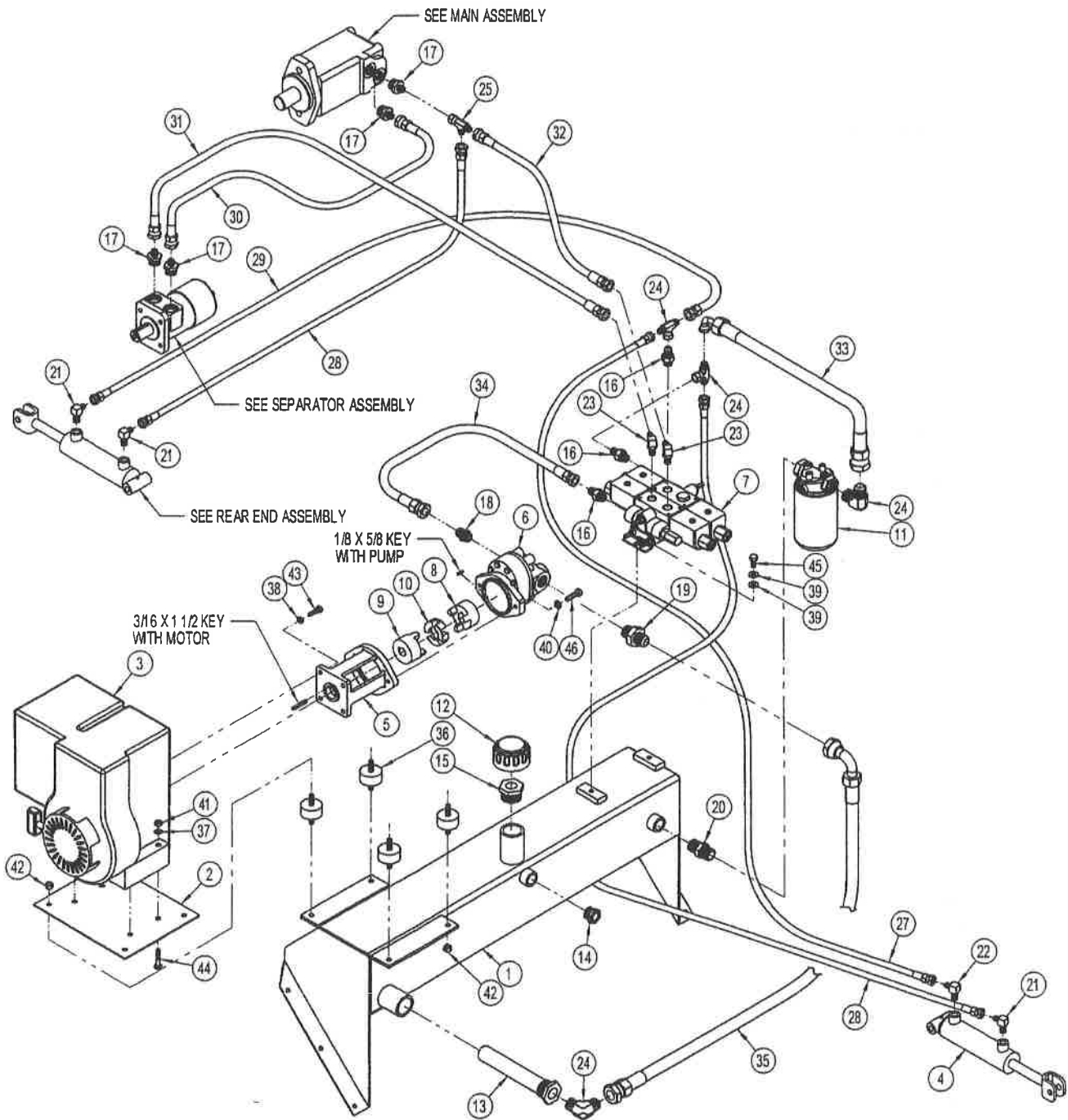
# 800 WIRING DIAGRAM



## ITEM QTY PART NO. DESCRIPTION

ITEM	QTY	PART NO.	DESCRIPTION
1	1	M30064	CONTROL BOX
2	1	M30065	CONTROL BOX COVER
3	1	P296200	CONTROL BOX CLAMP
4	1	P296700	CABLE GRIP LARGE
5	1	P296600	CABLE GRIP SMALL
6	2	P296900	TOGGLE SWITCH (MOM-OFF-ON)
7	1	P295016	MALE BETTS CABLE 8 FT
8	1	R99000080	16GA 5 CONDUCTOR CABLE 156"
9	7	P295045	#6 RING TERMINAL
10	1	P295069	5/16" RING TERMINAL
11	4	P295070	1/4" FEMALE SPADE TERMINAL
12	1	REF	5/16" HEX NUT
13	1	R99000015	16 GA JUMPER WIRE 3"
14	1	P977985	COVER DECAL

# 800 HYDRAULIC ASSEMBLY



# 800 HYDRAULIC ASSEMBLY

**ITEM QTY PART NO. DESCRIPTION**

1	1	M30062	HYDRAULIC RESERVOIR
2	1	M30059	ENGINE MOUNT PLATE
3	1	P370100	6.5 HORSE POWER HONDA ENGINE
4	1	P256200	HYDRAULIC CYLINDER 1-1/2" X 4"
		P256201	SEAL KIT
5	1	P351100	PUMP MOUNT
6	1	P351200	GEAR PUMP
7	1	P293100	2 SPOOL SOLENOID VALVE
		P293101	SOLENOID COIL
8	1	P360100	5/8" DRIVE COUPLING
9	1	P360105	3/4" DRIVE COUPLING
10	1	P360110	COUPLING INSERT
11	1	P610200	FLOW EZY FILTER
		P371850	FILTER ELEMENT
12	1	P610100	FILLER CAP
13	1	P610300	TANK STRAINER
14	1	P610400	LEVEL SIGHT PLUG
15	1	P267390	REDUCER BUSHING 20MP-12FP
16	3	P276101	ADAPTER 6MB-6MJ
17	4	P276215	ADAPTER 10MB-6MJ
18	1	P276200	ADAPTER 10MB-10MJ
19	1	P277100	ADAPTER 16MB-12MJ3
20	1	P271500	3/4" HEX NIPPLE 12MP-12MP
21	3	P261410	ELBOW 4MP-4MJ90 DEGREES
22	1	M30063	ELBOW W/ORFICE
23	2	P261350	ELBOW 6MB-6MJ90 DEGREES
24	2	P276490	ELBOW 12MP-12MJ90 DEGREES
25	2	P265450	TEE 6MJ-6MJ-6FJX
26	1	P265550	TEE 6FJX-6MJ-6MJ
27	1	P245045	1/4" HOSE 4FJX-6FJX (45")
28	2	P245050	1/4" HOSE 4FJX-6FJX (50")
29	1	P245068	1/4" HOSE 4FJX-6FJX (68")
30	1	P248042	3/8" HOSE 6FJX-6FJX (42")
31	1	P248060	3/8" HOSE 6FJX-6FJX (60")
32	1	P248036	3/8" HOSE 6FJX-6FJX (36")
33	1	P250719	1/2" HOSE 12FJX-6FJX90 DEGREES (19")
34	1	P251128	1/2" HOSE 10FJX-6FJX (28")
35	1	P255971	3/4" SUCTION HOSE 12FJX-12FJX90 DEGREES
36	4	P133030	RUBBER MOUNT
37	4	P850104	1/4" FLAT WASHER
38	4	P851105	5/16" LOCK WASHER
39	4	P850105	5/16" FLAT WASHER
40	2	P851106	3/8" LOCK WASHER
41	4	P155350	5/16" TOP LOCK NUT
42	8	P155450	3/8" TOP LOCK NUT
43	4	P102504	5/16" X 1" FINE THD HEX BOLT
44	4	P100506	5/16" X 1-1/2" HEX BOLT
45	2	P100603	3/8" X 3/4" HEX BOLT
46	2	P100605	3/8" X 1-1/4" HEX BOLT

