

D1005-E4B-KEA-1

Update Date: 07/02/2017, Printing Date: 13/04/2017

**ILLUSTRATED PARTS LIST  
LISTA DE PIEZAS  
LISTE DES PIECES**

**KUBOTA**

MODEL  
MODELO **D1005-E4B-KEA-1**  
MODELE

**DIESEL ENGINE  
MOTOR DIESEL  
MOTEUR DIESEL**

---

**Kubota**

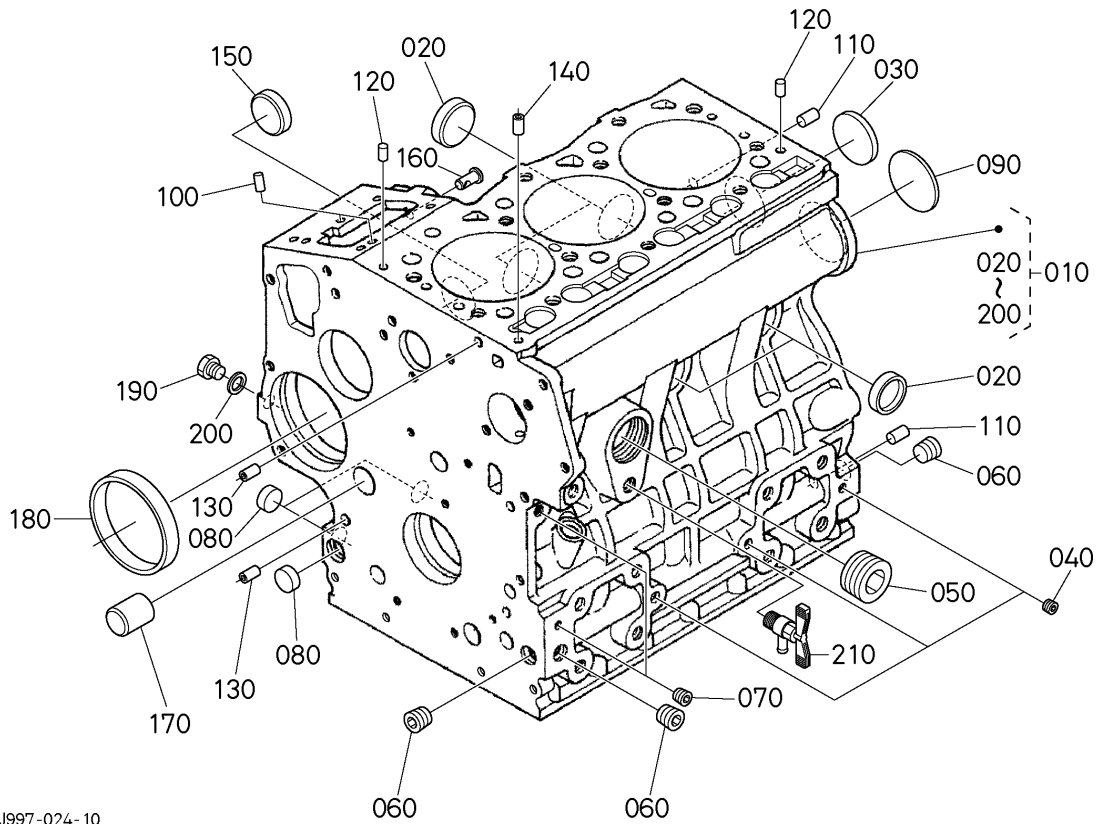
97898-81850  
MAY  
MAYO 2013  
MAI

D1005-E4B-KEA-1

Update Date: 07/02/2017, Printing Date: 13/04/2017

D1005-E4B-KEA-1 -> ENGINE -> 000100 CRANKCASE ## D1005-E4B-KEA-1

Update Date: 07/02/2017, Printing Date: 13/04/2017



D1005-E4B-KEA-1 -> ENGINE -> 000100 CRANKCASE ## D1005-E4B-KEA-1

Update Date: 07/02/2017, Printing Date: 13/04/2017

Interchangeable =, Not Interchangeable NI, New for Old >>, Old for New <<

No	Part Number	Part Name	Qty	RoundUp	IC	S/N	Remarks	Kg
010	1G036-01040	COMP.CRANKCASE	1					31.0
020	15451-96270	CAP,SEALING	4					0.01
030	15221-03490	CAP,SEALING	1					0.02
040	15261-96010	PLUG	3					0.002
050	16683-96020	PLUG	1					0.088
060	16241-96010	PLUG	3					0.007
070	15521-96020	PLUG	2					0.003
080	17391-96160	PLUG,EXPANSION	3					0.003
090	16271-96160	PLUG,EXPANSION	1					0.025
100	05012-00508	PIN,STRAIGHT	2					0.001
110	05012-00814	PIN,STRAIGHT	2					0.006
120	05012-00610	PIN,STRAIGHT	2					0.003
130	15231-33960	PIN,PIPE	2					0.001

D1005-E4B-KEA-1 -> ENGINE -> 000100 CRANKCASE ## D1005-E4B-KEA-1

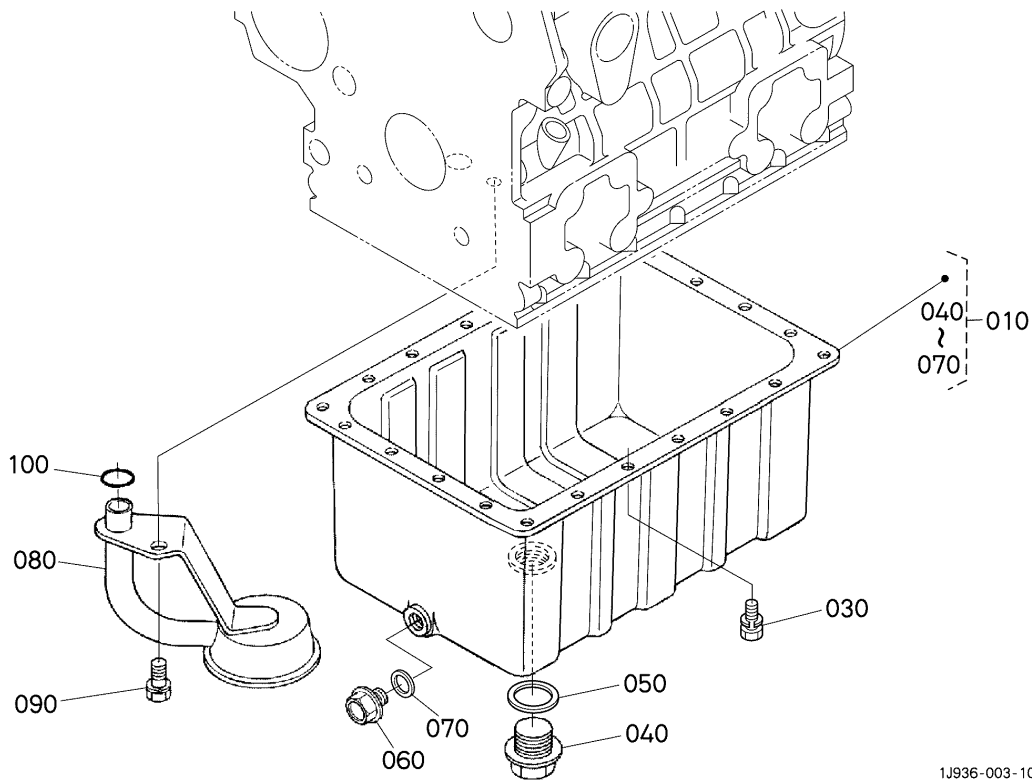
Update Date: 07/02/2017, Printing Date: 13/04/2017

Interchangeable =, Not Interchangeable NI, New for Old >>, Old for New <<

No	Part Number	Part Name	Qty	RoundUp	IC	S/N	Remarks	Kg
140	16241-33650	PIN,PIPE	1					0.002
150	16241-96262	PLUG,FUEL CAMSHAFT	1					0.007
160	16261-56280	PIN(START SPRING)	1					0.004
170	16282-96010	PLUG	1					0.09
180	16271-55350	BUSHING (GEAR,GOBERNOR)	1					0.06
190	1G896-33610	PLUG	1					0.008
200	15021-33660	PACKING	1					0.001
210	16871-73020	COCK,ASSY(DRAIN)	1					0.034

D1005-E4B-KEA-1 -> ENGINE -> 000200 OIL PAN ## D1005-E4B-KEA-1

Update Date: 07/02/2017, Printing Date: 13/04/2017



1J936-003-10

D1005-E4B-KEA-1 -> ENGINE -> 000200 OIL PAN ## D1005-E4B-KEA-1

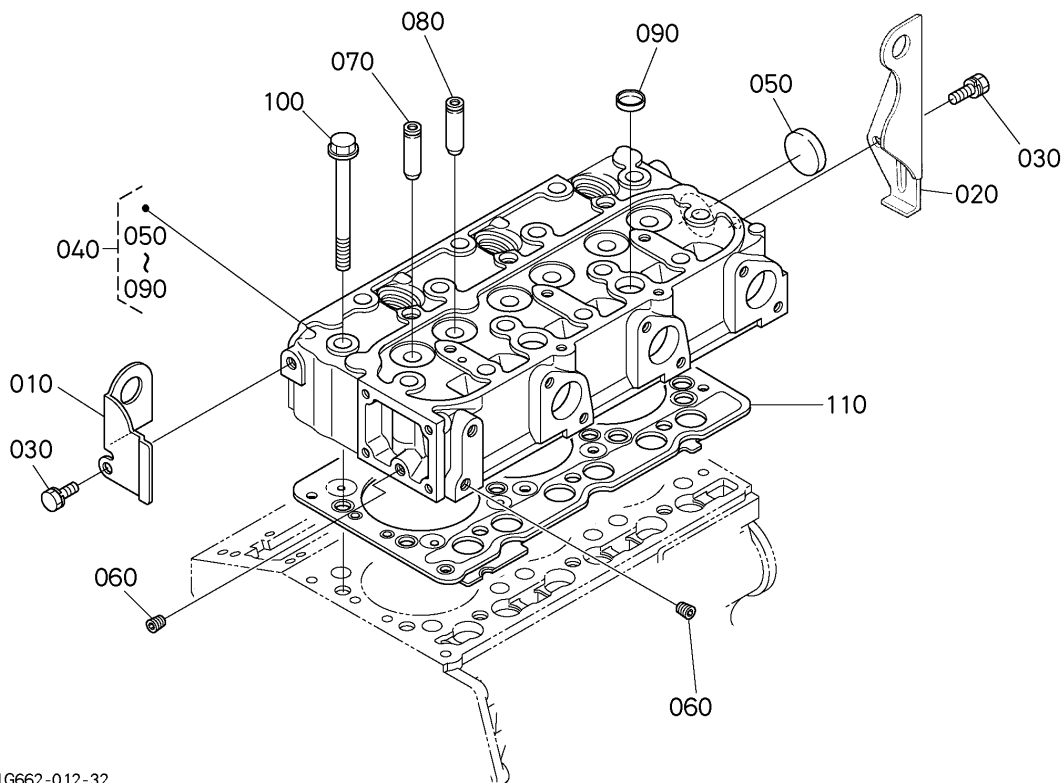
Update Date: 07/02/2017, Printing Date: 13/04/2017

Interchangeable =, Not Interchangeable NI, New for Old >>, Old for New <<

No	Part Number	Part Name	Qty	RoundUp	IC	S/N	Remarks	Kg
010	16613-01605	KIT OIL PAN	1					1.7
030	01023-50614	BOLT,SEMS	22					0.005
040	15707-33750	PLUG(DRAIN)	1					0.095
050	16265-96670	PACKING	1					0.01
060	13901-33750	PLUG,DRAIN	1					0.025
070	6C090-58960	GASKET	1					0.005
080	16226-32114	FILTER,OIL	1					0.28
090	01123-50816	BOLT,SEMS	1					0.011
100	04814-00160	O RING	1					0.001

D1005-E4B-KEA-1 -> ENGINE -> 000300 CYLINDER HEAD ## D1005-E4B-KEA-1

Update Date: 07/02/2017, Printing Date: 13/04/2017



1G662-012-32

D1005-E4B-KEA-1 -> ENGINE -> 000300 CYLINDER HEAD ## D1005-E4B-KEA-1

Update Date: 07/02/2017, Printing Date: 13/04/2017

Interchangeable =, Not Interchangeable NI, New for Old >>, Old for New <<

No	Part Number	Part Name	Qty	RoundUp	IC	S/N	Remarks	Kg
010	16241-01753	HOOK,ENGINE	1					0.14
020	16241-01770	HOOK,ENGINE	1					0.175
030	01123-50814	BOLT,SEMS	2					0.01
040	1G043-03043	HEAD,CYL,COMP	1					9.736
050	15321-96260	CAP,SEALING	1					0.014
060	15261-96010	PLUG	2					0.002
070	16261-13540	GUIDE,INLET VALVE	3					0.02
080	16261-13560	GUIDE,EXHAUST VALVE	3					0.019
090	15261-03370	CAP,SEALING	2					0.005
100	16241-03450	BOLT,HEAD (CYLINDER)	14					0.05

D1005-E4B-KEA-1 -> ENGINE -> 000300 CYLINDER HEAD ## D1005-E4B-KEA-1

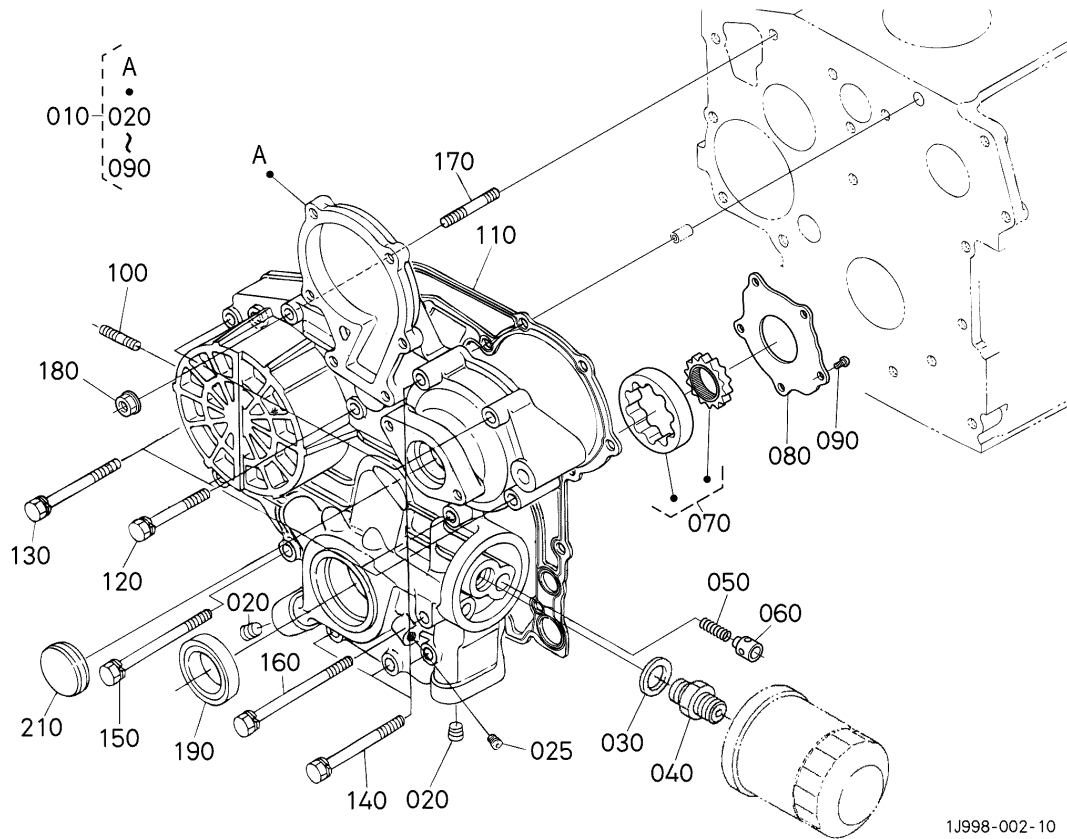
Update Date: 07/02/2017, Printing Date: 13/04/2017

Interchangeable =, Not Interchangeable NI, New for Old >>, Old for New <<

No	Part Number	Part Name	Qty	RoundUp	IC	S/N	Remarks	Kg
110	1G040-03310	GASKET,CYLINDER HEAD	1					0.15

D1005-E4B-KEA-1 -> ENGINE -> 000400 GEAR CASE ## D1005-E4B-KEA-1

Update Date: 07/02/2017, Printing Date: 13/04/2017



D1005-E4B-KEA-1 -> ENGINE -> 000400 GEAR CASE ## D1005-E4B-KEA-1

Update Date: 07/02/2017, Printing Date: 13/04/2017

Interchangeable =, Not Interchangeable NI, New for Old >>, Old for New <<

No	Part Number	Part Name	Qty	RoundUp	IC	S/N	Remarks	Kg
010	16252-04024	COMP.CASE,GEAR	1					2.46
020	16241-96020	PLUG	2					0.015
025	15521-96020	PLUG	1					0.003
030	04011-50180	WASHER,PLAIN	1					0.012
040	15241-32290	JOINT,PIPE	1					0.053
050	1J050-36950	SPRING	1					0.004
060	1J050-36930	VALVE(RELIEF)	1					0.005
070	1J050-35070	ROTOR,ASSY(OIL PUMP)	1					0.244
080	1J050-35132	COVER(OIL PUMP)	1					0.085
090	03017-50614	SCREW,BINDING (PHILLIPS)	5					0.005
100	16245-91540	STUD	2					0.005



D1005-E4B-KEA-1 -> ENGINE -> 000400 GEAR CASE ## D1005-E4B-KEA-1

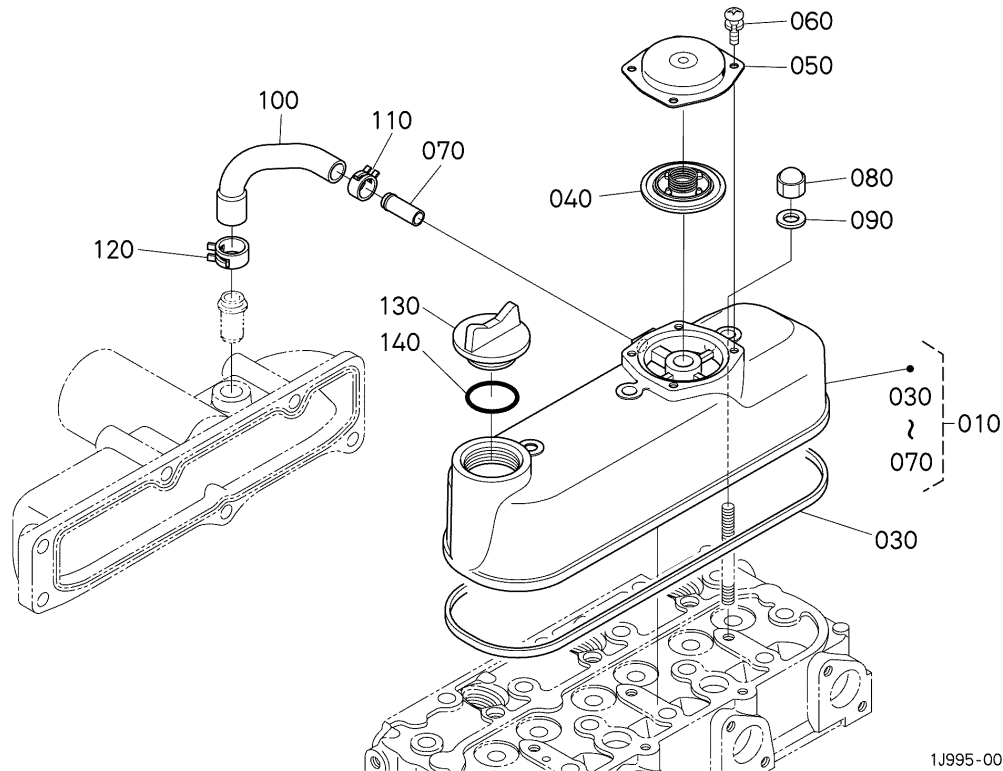
Update Date: 07/02/2017, Printing Date: 13/04/2017

Interchangeable =, Not Interchangeable NI, New for Old >>, Old for New <<

No	Part Number	Part Name	Qty	RoundUp	IC	S/N	Remarks	Kg
110	16264-04132	GASKET,GEAR CASE	1					0.01
120	01023-50645	BOLT,SEMS	3					0.01
130	01023-50650	BOLT,SEMS	4					0.012
140	01023-50655	BOLT,SEMS	4					0.012
150	01023-50665	BOLT,SEMS	1					0.015
160	16241-91040	BOLT	1					0.015
170	16245-91530	STUD	1					0.01
180	02751-50060	NUT,FLANGE	1					0.005
190	16241-04212	SEAL,OIL	1					0.012
210	16264-83342	COVER,GEAR CASE	1					0.01

D1005-E4B-KEA-1 -> ENGINE -> 000500 HEAD COVER ## D1005-E4B-KEA-1

Update Date: 07/02/2017, Printing Date: 13/04/2017



D1005-E4B-KEA-1 -> ENGINE -> 000500 HEAD COVER ## D1005-E4B-KEA-1

Update Date: 07/02/2017, Printing Date: 13/04/2017

Interchangeable =, Not Interchangeable NI, New for Old >>, Old for New <<

No	Part Number	Part Name	Qty	RoundUp	IC	S/N	Remarks	Kg
010	1G032-14507	ASSY COVER,CYL.HEAD	1			<=1FHZ999		0.75
010	1G032-14508	ASSY COVER,CYL.HEAD	1		>>	>=1FJ0001		0.75
030	16261-14524	GASKET,HEAD COVER	1					0.01
040	1G911-05203	COMP VALVE,BREATHER	1					0.01
050	1G801-05120	COVER,BREATHER	1					0.035
060	03024-50510	SCREW,SEMS(PAN HEAD)	4					0.002
070	17331-73342	PIPE,WATER RETURN	1					0.01
080	15952-92330	NUT,CAP	3					0.01
090	15951-96660	PACKING	3					0.001

D1005-E4B-KEA-1 -> ENGINE -> 000500 HEAD COVER ## D1005-E4B-KEA-1

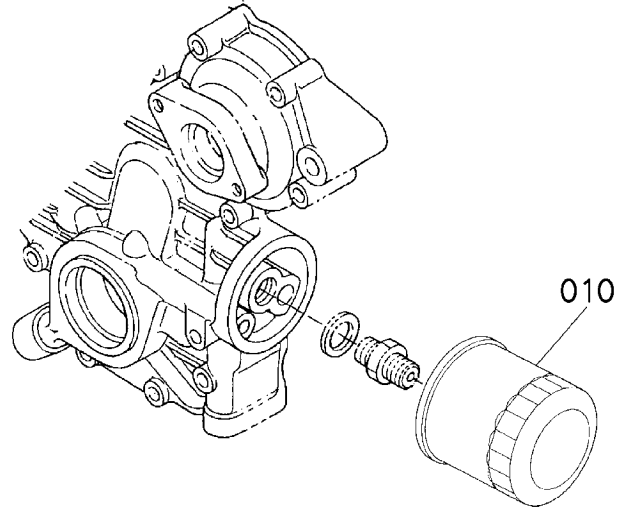
Update Date: 07/02/2017, Printing Date: 13/04/2017

Interchangeable =, Not Interchangeable NI, New for Old >>, Old for New <<

No	Part Number	Part Name	Qty	RoundUp	IC	S/N	Remarks	Kg
100	1G032-05510	TUBE,BREATHER	1					0.017
110	09318-88150	CLAMPHOSE	1					0.004
120	16259-05580	BAND,PIPE	1					0.03
130	E9151-33140	PLUG(OIL FILLER)	1					0.017
140	1J001-96770	O RING	1					0.001

D1005-E4B-KEA-1 -> ENGINE -> 000600 OIL FILTER ## D1005-E4B-KEA-1

Update Date: 07/02/2017, Printing Date: 13/04/2017



16615-003-11

D1005-E4B-KEA-1 -> ENGINE -> 000600 OIL FILTER ## D1005-E4B-KEA-1

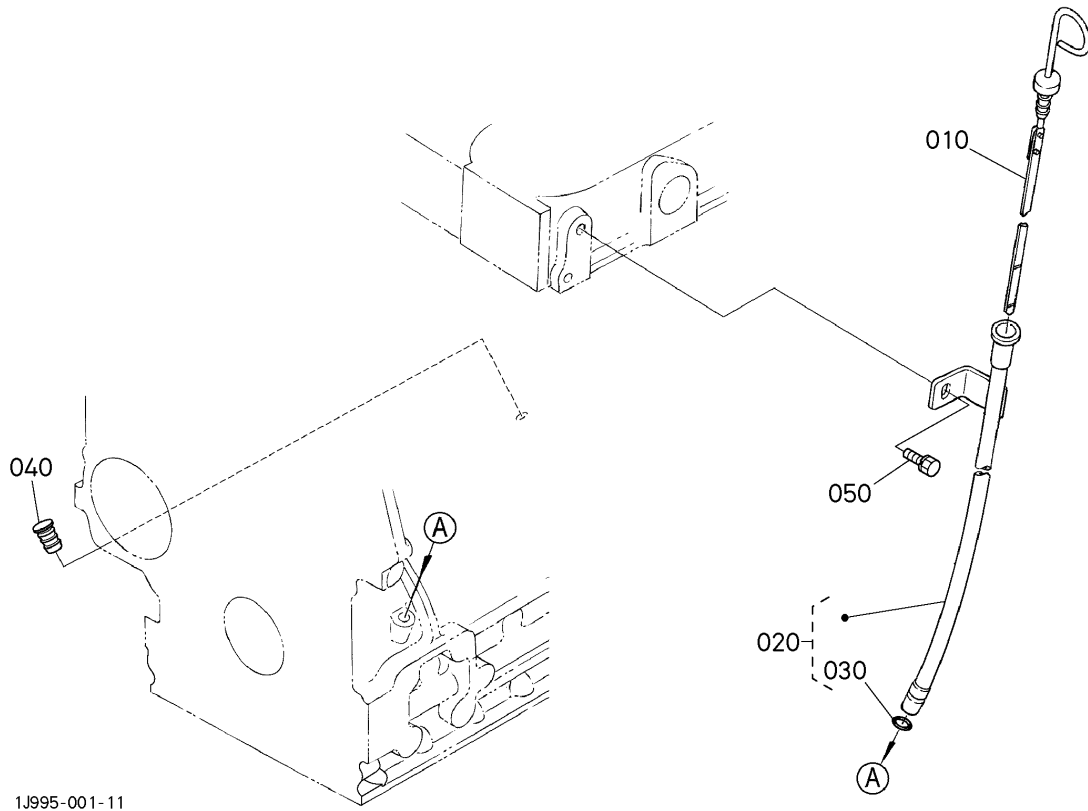
Update Date: 07/02/2017, Printing Date: 13/04/2017

Interchangeable =, Not Interchangeable NI, New for Old >>, Old for New <<

No	Part Number	Part Name	Qty	RoundUp	IC	S/N	Remarks	Kg
010	HH160-32093	CARTRIDGE OIL FILTER	1					0.36

D1005-E4B-KEA-1 -> ENGINE -> 000700 DIPSTICK AND GUIDE ## D1005-E4B-KEA-1

Update Date: 07/02/2017, Printing Date: 13/04/2017



D1005-E4B-KEA-1 -> ENGINE -> 000700 DIPSTICK AND GUIDE ## D1005-E4B-KEA-1

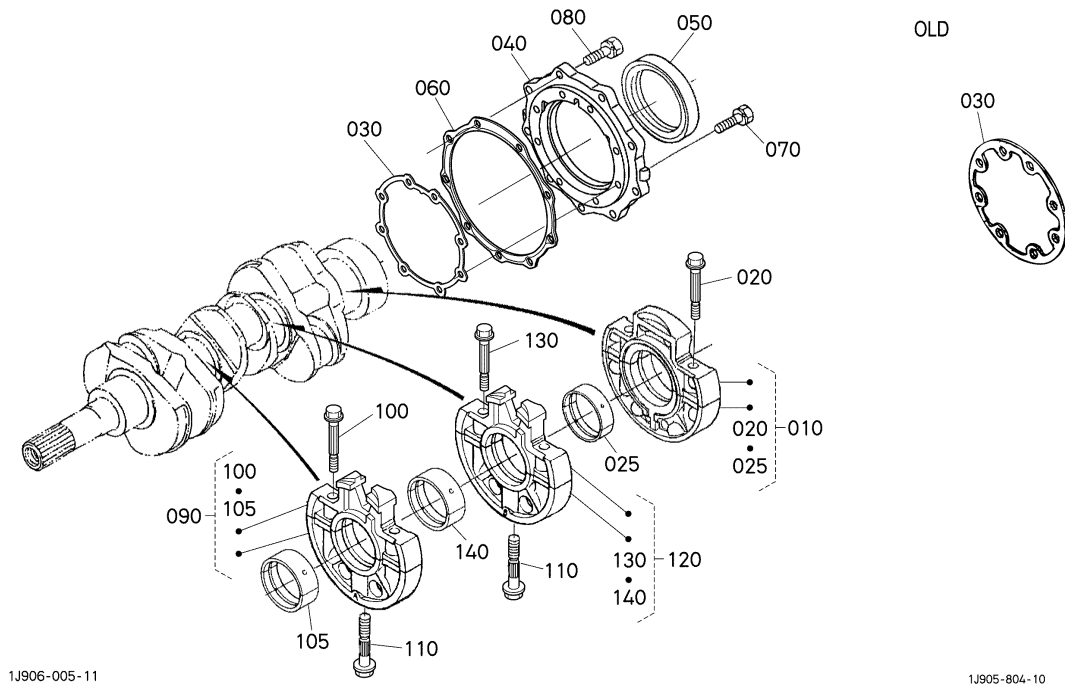
Update Date: 07/02/2017, Printing Date: 13/04/2017

Interchangeable =, Not Interchangeable NI, New for Old >>, Old for New <<

No	Part Number	Part Name	Qty	RoundUp	IC	S/N	Remarks	Kg
010	16611-36413	GAUGE,OIL	1					0.028
020	16282-36500	ASSY GUIDE,OIL GAUGE	1					0.11
030	04814-00090	O RING	1					0.001
040	1G513-36550	PLUG,OIL GAUGE	1					0.004
050	01123-50814	BOLT,SEMS	1					0.01

D1005-E4B-KEA-1 -> ENGINE -> 010000 MAIN BEARING CASE ## D1005-E4B-KEA-1

Update Date: 07/02/2017, Printing Date: 13/04/2017



D1005-E4B-KEA-1 -> ENGINE -> 010000 MAIN BEARING CASE ## D1005-E4B-KEA-1

Update Date: 07/02/2017, Printing Date: 13/04/2017

Interchangeable =, Not Interchangeable NI, New for Old >>, Old for New <<

No	Part Number	Part Name	Qty	RoundUp	IC	S/N	Remarks	Kg
010	16292-07095	CASE,BRG,ASSY (WHEEL)	1					1.1
020	16241-04540	BOLT,BEARING CASE	2					0.02
025	16292-23494	METAL,CRANKSHAFT	1				STD SET	0.07
025	16292-23864	METAL,CRANKSHAFT	1				-0.20mm SET	0.05
025	16292-23874	METAL,CRANKSHAFT	1				-0.40mm SET	0.05
030	1G679-04360	GASKET(BRG.CASE)	1			<=1DVZ999		0.006
030	1J095-04360	GASKET(BRG.CASE)	1		>>	>=1DW0001		0.006
040	16241-04815	COVER(CASE,BRG)	1					0.22
050	16285-04460	SEAL,OIL	1					0.003
060	16264-04822	GASKET	1					0.008
070	1G679-91010	BOLT	8					0.007
080	1G679-91020	BOLT	9					0.006
090	16261-07047	ASSY BRG.CASE,MAIN	1					0.86
100	16241-04540	BOLT,BEARING CASE	2					0.02

D1005-E4B-KEA-1 -> ENGINE -> 010000 MAIN BEARING CASE ## D1005-E4B-KEA-1

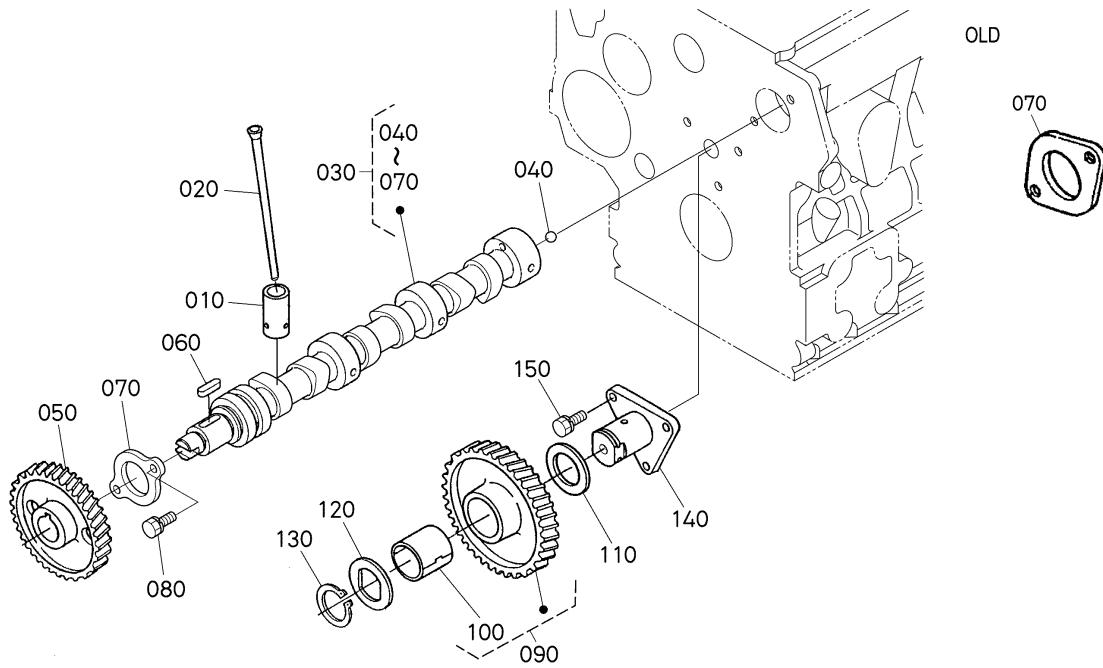
Update Date: 07/02/2017, Printing Date: 13/04/2017

Interchangeable =, Not Interchangeable NI, New for Old >>, Old for New <<

No	Part Number	Part Name	Qty	RoundUp	IC	S/N	Remarks	Kg
105	16292-23483	METAL,CRANKSHAFT	1				STD SET	0.05
105	16292-23933	METAL,CRANKSHAFT	1				-0.20mm SET	0.05
105	16292-23943	METAL,CRANKSHAFT	1				-0.40mm SET	0.05
110	16241-04560	BOLT(CASE,BRG)	2					0.03
120	16261-07057	ASSY BRG.CASE,MAIN	1					0.8
130	16241-04540	BOLT,BEARING CASE	2					0.02
140	16292-23483	METAL,CRANKSHAFT	1				STD SET	0.05
140	16292-23933	METAL,CRANKSHAFT	1				-0.20mm SET	0.05
140	16292-23943	METAL,CRANKSHAFT	1				-0.40mm SET	0.05

D1005-E4B-KEA-1 -> ENGINE -> 010100 CAMSHAFT AND IDLE GEAR SHAFT  
 ## D1005-E4B-KEA-1

Update Date: 07/02/2017, Printing Date: 13/04/2017



1J976-036-16

1G324-828-10

D1005-E4B-KEA-1 -> ENGINE -> 010100 CAMSHAFT AND IDLE GEAR SHAFT ##  
 D1005-E4B-KEA-1

Update Date: 07/02/2017, Printing Date: 13/04/2017

Interchangeable =, Not Interchangeable NI, New for Old >>, Old for New <<

No	Part Number	Part Name	Qty	RoundUp	IC	S/N	Remarks	Kg
010	1G673-15550	TAPPET	6					0.035
020	16241-15114	PUSH ROD	6					0.028
030	1J095-16010	CAMSHAFT,ASSY	1					1.553
040	07715-00401	BALL 1/4	1					0.001
050	16241-16510	GEAR,CAM	1					0.45
060	05712-00518	FEATHER KEY	1					0.003
070	16241-16270	STOPPER,CAMSHAFT	1			<=1EKZ999		0.04
070	1J097-16270	STOPPER(CAMSHAFT)	1		>>	>=1EL0001		0.03
080	01023-50616	BOLT,SEMS	2					0.006
090	16271-24012	COMP GEAR,IDLE	1					0.6
100	16271-24982	BUSH,IDLE GEAR	1					0.02
110	16241-24360	COLLAR,IDLE GEAR	1					0.01
120	16241-24370	COLLAR,IDLE GEAR	1					0.012
130	16241-24320	CIR CLIP,IDLE GEAR	1					0.003
140	16241-24250	SHAFT,IDLE GEAR	1					0.255



D1005-E4B-KEA-1 -> ENGINE -> 010100 CAMSHAFT AND IDLE GEAR SHAFT ##  
D1005-E4B-KEA-1

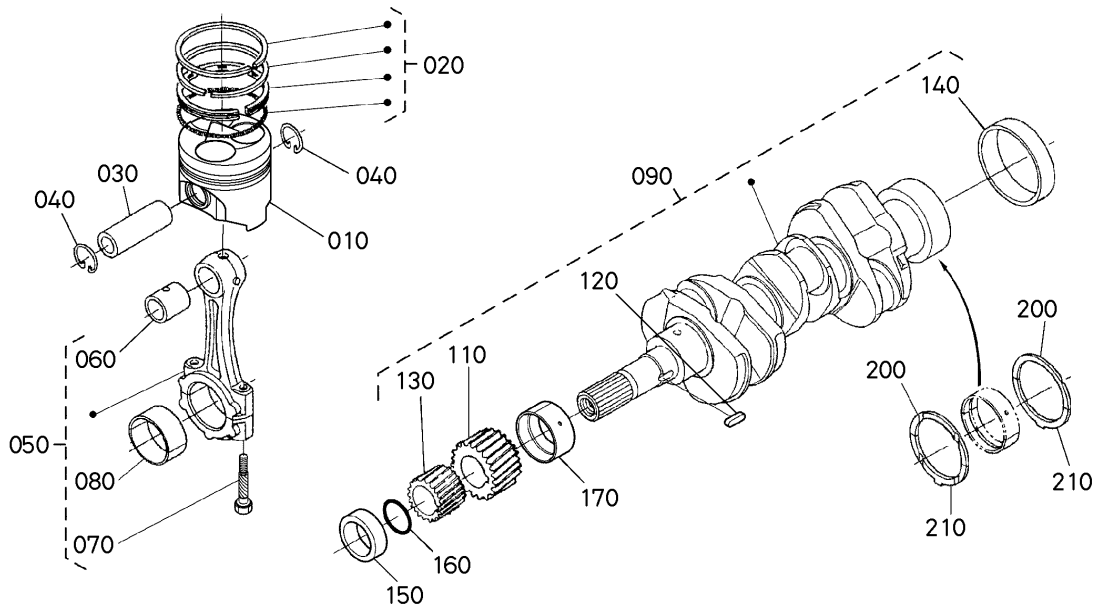
Update Date: 07/02/2017, Printing Date: 13/04/2017

Interchangeable =, Not Interchangeable NI, New for Old >>, Old for New <<

No	Part Number	Part Name	Qty	RoundUp	IC	S/N	Remarks	Kg
150	01023-50616	BOLT,SEMS	3					0.006

D1005-E4B-KEA-1 -> ENGINE -> 010200 PISTON AND CRANKSHAFT ##  
D1005-E4B-KEA-1

Update Date: 07/02/2017, Printing Date: 13/04/2017



16611-172-17

D1005-E4B-KEA-1 -> ENGINE -> 010200 PISTON AND CRANKSHAFT ## D1005-E4B-KEA-1

Update Date: 07/02/2017, Printing Date: 13/04/2017

Interchangeable =, Not Interchangeable NI, New for Old >>, Old for New <<

No	Part Number	Part Name	Qty	RoundUp	IC	S/N	Remarks	Kg
010	1J095-21112	PISTON	3				STD	0.38
010	1J095-21912	PISTON(05)	3				+0.50mm	0.39
020	1J095-21052	RING,PISTON,ASSY	3				STD	0.037
020	1J095-21092	RING,PISTON,ASSY 05	3				+0.50mm	0.037
030	16241-21310	PIN,PISTON	3					0.135
040	16241-21330	CIRCLIP(PIN,PISTON)	6					0.002
050	16292-22016	ROD,CONNECTING,ASSY	3					0.526
060	1G700-21980	BUSH,PISTON PIN	3					0.01
070	16241-22142	BOLT(CONNECTING ROD)	6					0.024
080	16292-22310	METAL(PIN,CRANK)	3				STD SET	0.04
080	16292-22972	METAL,CRANKPIN	3				-0.20mm SET	0.033
080	16292-22982	METAL,CRANKPIN	3				-0.40mm SET	0.034

D1005-E4B-KEA-1 -> ENGINE -> 010200 PISTON AND CRANKSHAFT ## D1005-E4B-KEA-1

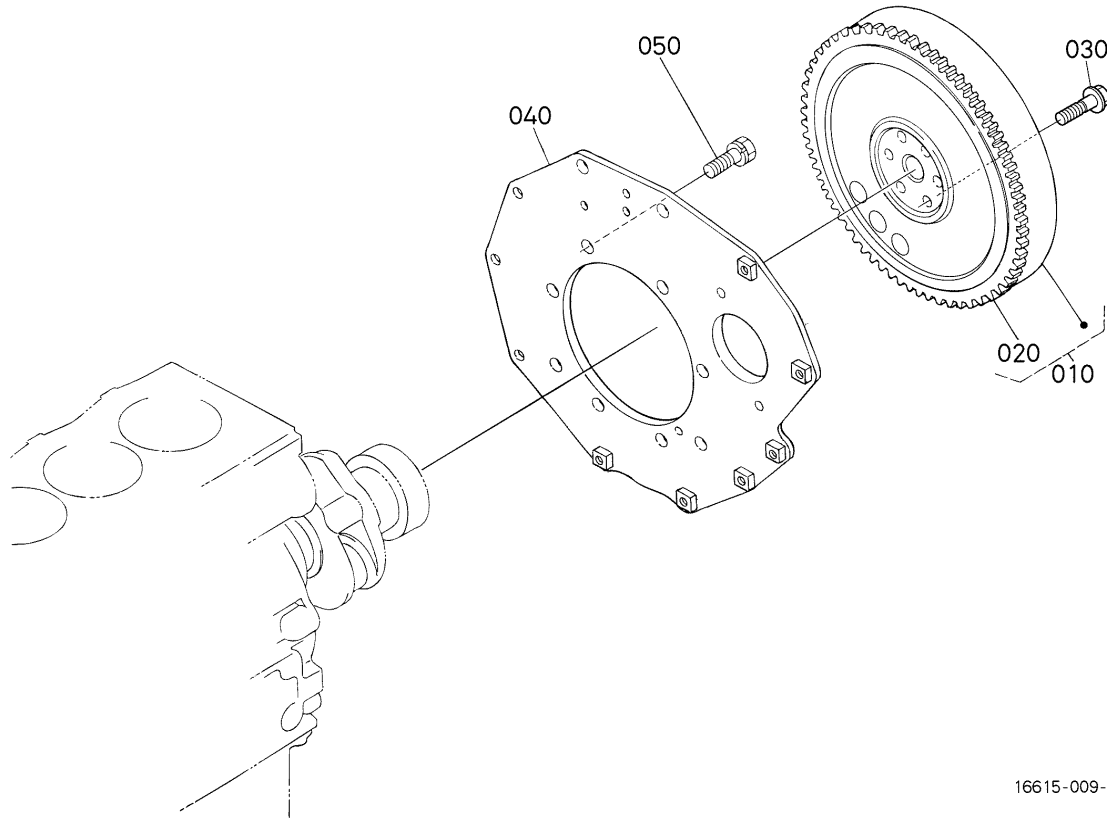
Update Date: 07/02/2017, Printing Date: 13/04/2017

Interchangeable =, Not Interchangeable NI, New for Old >>, Old for New <<

No	Part Number	Part Name	Qty	RoundUp	IC	S/N	Remarks	Kg
090	1G067-23013	COMP.CRANKSHAFT	1					8.61
110	1A055-24110	GEAR(CRANKSHAFT)	1					0.142
120	16271-95230	KEY	1					0.005
130	1J050-35630	GEAR(OIL PUMP DRIVE)	1					0.09
140	16241-23280	SLEEVE,CRANKSHAFT	1					0.06
150	1J050-23250	COLLAR(CRANKSHAFT)	1					0.047
160	04814-10280	RING	1					0.001
170	16292-23473	METAL(CRANKSHAFT)	1				STD	0.046
170	16292-23913	METAL(CRANKSHAFT)	1				-0.20mm	0.005
170	16292-23923	METAL(CRANKSHAFT)	1				-0.40mm	0.05
200	15521-23533	METAL,SIDE	2				STD	0.01
200	15521-23953	METAL,SIDE	2				+0.20mm	0.01
200	15521-23963	METAL,SIDE	2				+0.40mm	0.01
210	19202-23543	METAL,SIDE	2				STD	0.01
210	19202-23973	METAL,SIDE	2				+0.20mm	0.01
210	19202-23983	METAL,SIDE	2				+0.40mm	0.01

D1005-E4B-KEA-1 -> ENGINE -> 010300 FLYWHEEL ## D1005-E4B-KEA-1

Update Date: 07/02/2017, Printing Date: 13/04/2017



16615-009-13

D1005-E4B-KEA-1 -> ENGINE -> 010300 FLYWHEEL ## D1005-E4B-KEA-1

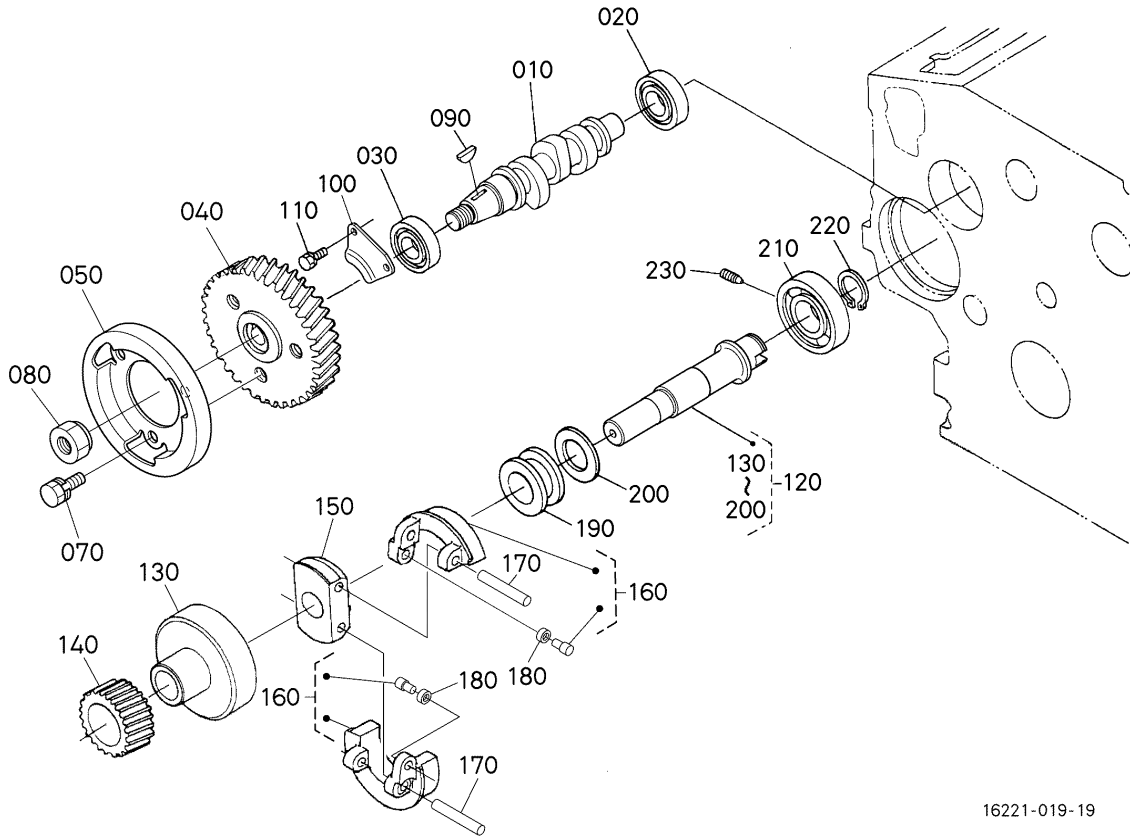
Update Date: 07/02/2017, Printing Date: 13/04/2017

Interchangeable =, Not Interchangeable NI, New for Old >>, Old for New <<

No	Part Number	Part Name	Qty	RoundUp	IC	S/N	Remarks	Kg
010	16692-25013	COMP.FLYWHEEL	1					13.1
020	1G081-63820	GEAR,RING	1					0.63
030	16241-25160	BOLT,FLYWHEEL	6					0.03
040	16241-04620	PLATE,REAR END	1					2.77
050	15261-91190	BOLT	8					0.03

D1005-E4B-KEA-1 -> ENGINE -> 010500 FUEL CAMSHAFT AND GOVERNOR  
SHAFT ## D1005-E4B-KEA-1

Update Date: 07/02/2017, Printing Date: 13/04/2017



16221-019-19

D1005-E4B-KEA-1 -> ENGINE -> 010500 FUEL CAMSHAFT AND GOVERNOR SHAFT  
## D1005-E4B-KEA-1

Update Date: 07/02/2017, Printing Date: 13/04/2017

Interchangeable =, Not Interchangeable NI, New for Old >>, Old for New <<

No	Part Number	Part Name	Qty	RoundUp	IC	S/N	Remarks	Kg
010	16020-16170	CAMSHAFT,FUEL	1					0.38
020	16261-97300	BEARING,BALL	1					0.044
030	16261-97310	BEARING,BALL	1					0.1
040	16272-51150	GEAR,INJECTION PUMP	1					0.49
050	16241-51114	CAM,FUEL	1					0.196
070	01023-50612	BOLT,SEMS	3					0.005
080	1J050-92330	NUT	1					0.021
090	16241-95230	KEY,WOODRUFF	1					0.001
100	16241-16320	STOPPER,FUEL.C/SHAFT	1					0.04
110	01023-50616	BOLT,SEMS	2					0.006
120	16265-55019	ASSY SHAFT,GOVERNOR	1					1.12
130	16241-55392	HOLDER,GOVERNOR GEAR	1					0.34

D1005-E4B-KEA-1 -> ENGINE -> 010500 FUEL CAMSHAFT AND GOVERNOR SHAFT  
 ## D1005-E4B-KEA-1

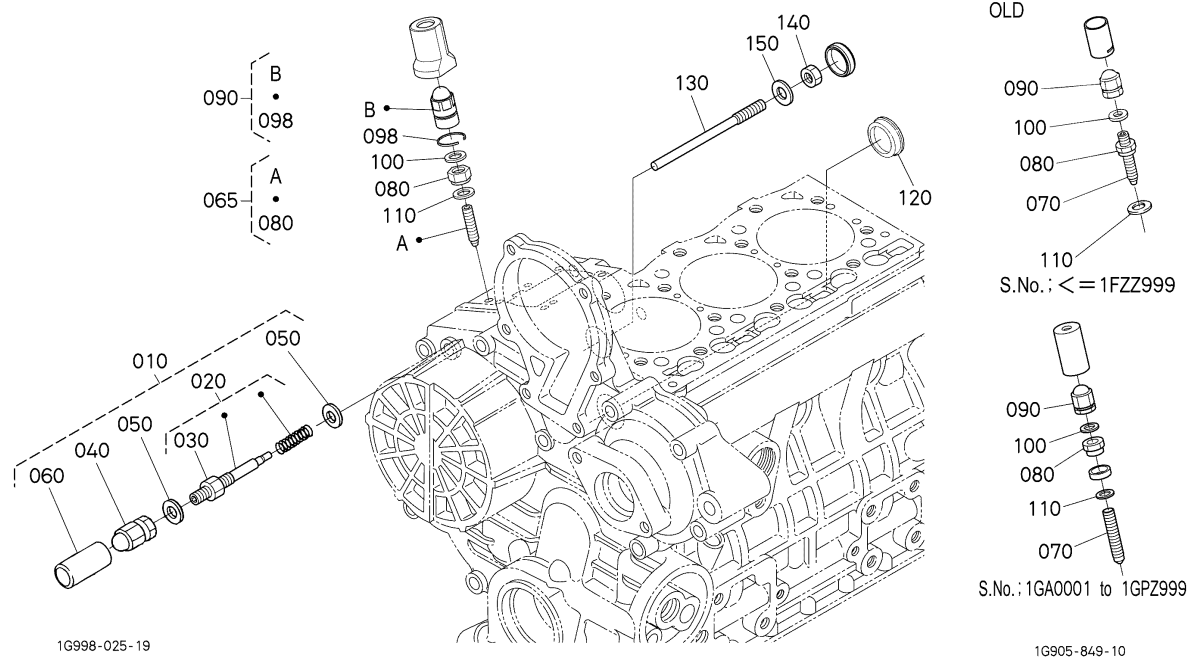
Update Date: 07/02/2017, Printing Date: 13/04/2017

Interchangeable =, Not Interchangeable NI, New for Old >>, Old for New <<

No	Part Number	Part Name	Qty	RoundUp	IC	S/N	Remarks	Kg
140	16282-55320	GEAR,GOVERNOR	1					0.24
150	16241-55270	HOLDER,GOV.WEIGHT	1					0.085
160	16241-55064	COMP.WEIGHT,GOVERNOR	2					0.085
170	16241-55260	SHAFT,GOV. WEIGHT	2					0.013
180	19484-55440	ROLLER	2					0.005
190	16241-55450	SLEEVE,GOVERNOR	1					0.04
200	16241-55463	WASHER,THRUST	1					0.005
210	16261-97320	BALL BEARING	1					0.14
220	16271-55410	CIR CLIP,GOV.SHAFT	1					0.005
230	16241-55554	SCREW,SET	1					0.007

D1005-E4B-KEA-1 -> ENGINE -> 018000 IDLE APPARATUS ## D1005-E4B-KEA-1

Update Date: 07/02/2017, Printing Date: 13/04/2017



D1005-E4B-KEA-1 -> ENGINE -> 018000 IDLE APPARATUS ## D1005-E4B-KEA-1

Update Date: 07/02/2017, Printing Date: 13/04/2017

Interchangeable =, Not Interchangeable NI, New for Old >>, Old for New <<

No	Part Number	Part Name	Qty	RoundUp	IC	S/N	Remarks	Kg
010	16285-54093	ASSY APPARATUS,IDLE	1					0.02
020	16285-54103	ASSY BOLT,ADJUSTING	1					0.007
030	15841-92020	NUT	1					0.004
040	15852-92330	NUT	1					0.005
050	15601-96650	PACKING	2					0.001
060	16221-54420	CAP	1					0.001
065	1J097-54350	BOLT,ASSY (ADJUSTING)	1			>=1GQ0001		0.007
070	16241-54122	BOLT,ADJUSTING	1			<=1GPZ999		0.005
080	1G031-54210	NUT(LOCK)	1			<=1GPZ999		0.003
080	1J094-54210	NUT(LOCK)	1		NI	>=1GQ0001		0.003
090	15852-92330	NUT	1			<=1GPZ999		0.005
090	1J097-54380	NUT,CAP,ASSY	1		NI	>=1GQ0001		0.006
098	1J094-54280	CIRCLIP,INT	1			>=1GQ0001		0.001
100	15601-96650	PACKING	1					0.001

D1005-E4B-KEA-1 -> ENGINE -> 018000 IDLE APPARATUS ## D1005-E4B-KEA-1

Update Date: 07/02/2017, Printing Date: 13/04/2017

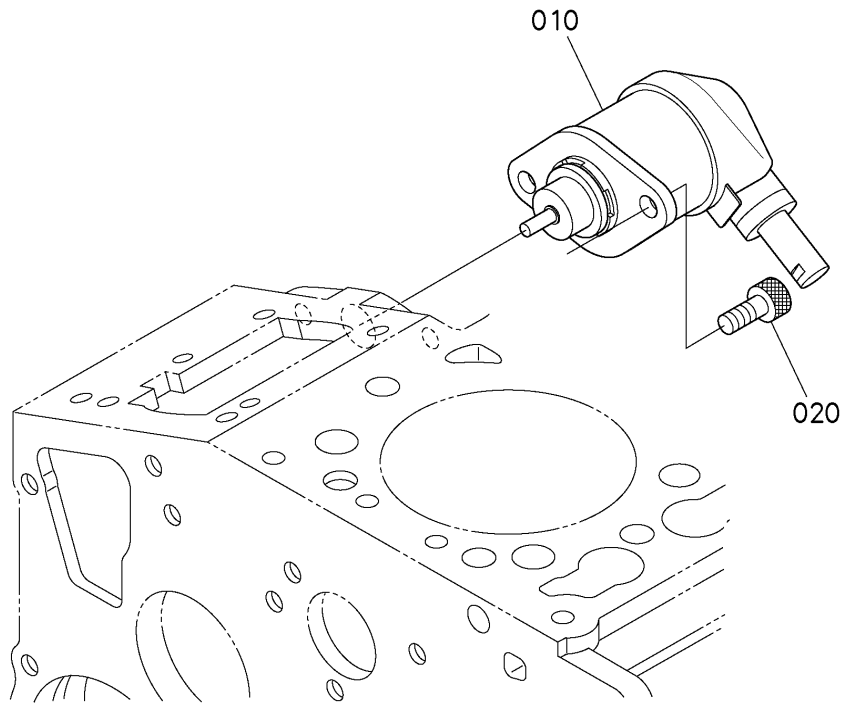
Interchangeable =, Not Interchangeable NI, New for Old >>, Old for New <<

No	Part Number	Part Name	Qty	RoundUp	IC	S/N	Remarks	Kg
110	1G021-96650	GASKET	1			<=1FZZ999		0.001
110	15601-96650	PACKING	1		NI	>=1GA0001		0.001
120	16264-83153	COVER, HYDRAULIC PUMP	1					0.028
130	1G053-54150	BOLT	1					0.009
140	02056-50060	HEX.NUT	1					0.002
150	15601-96650	PACKING	1					0.001



D1005-E4B-KEA-1 -> ENGINE -> 020100 STOP SOLENOID ## D1005-E4B-KEA-1

Update Date: 07/02/2017, Printing Date: 13/04/2017



1J401-030-13

D1005-E4B-KEA-1 -> ENGINE -> 020100 STOP SOLENOID ## D1005-E4B-KEA-1

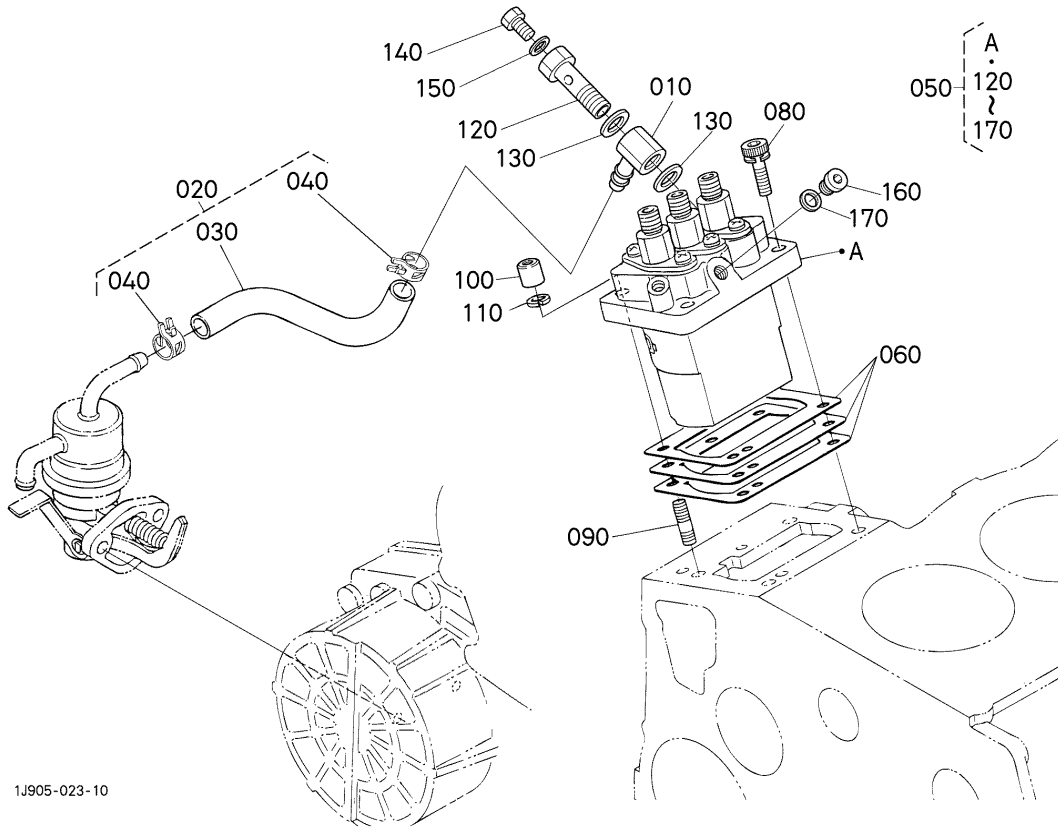
Update Date: 07/02/2017, Printing Date: 13/04/2017

Interchangeable =, Not Interchangeable NI, New for Old >>, Old for New <<

No	Part Number	Part Name	Qty	RoundUp	IC	S/N	Remarks	Kg
010	17208-60016	ASSY SOLENOID,STOP	1					0.2
020	01311-10612	BOLT,SOCKET HEAD	2					0.005

D1005-E4B-KEA-1 -> ENGINE -> 020200 INJECTION PUMP ## D1005-E4B-KEA-1

Update Date: 07/02/2017, Printing Date: 13/04/2017



1J905-023-10

D1005-E4B-KEA-1 -> ENGINE -> 020200 INJECTION PUMP ## D1005-E4B-KEA-1

Update Date: 07/02/2017, Printing Date: 13/04/2017

Interchangeable =, Not Interchangeable NI, New for Old >>, Old for New <<

No	Part Number	Part Name	Qty	RoundUp	IC	S/N	Remarks	Kg
010	16241-95690	JOINT,EYE	1					0.05
020	16032-42010	TUBE,FUEL,ASSY	1					0.012
030	09661-80075	TUBE,FUEL	1					0.01
040	14911-42750	CLIP,PIPE	2					0.002
050	16030-51013	ASSY PUMP,INJECTION	1					1.0
060	1G700-52200	SHIM,INJECTION	1				0.175mm	0.005
060	16006-52092	SHIM,INJECTION	1				0.200mm	0.004
060	16006-52112	SHIM(INJECTION PUMP)	1				0.250mm	0.004
060	16006-52122	SHIM(INJECTION PUMP)	1				0.300mm	0.006

D1005-E4B-KEA-1 -> ENGINE -> 020200 INJECTION PUMP ## D1005-E4B-KEA-1

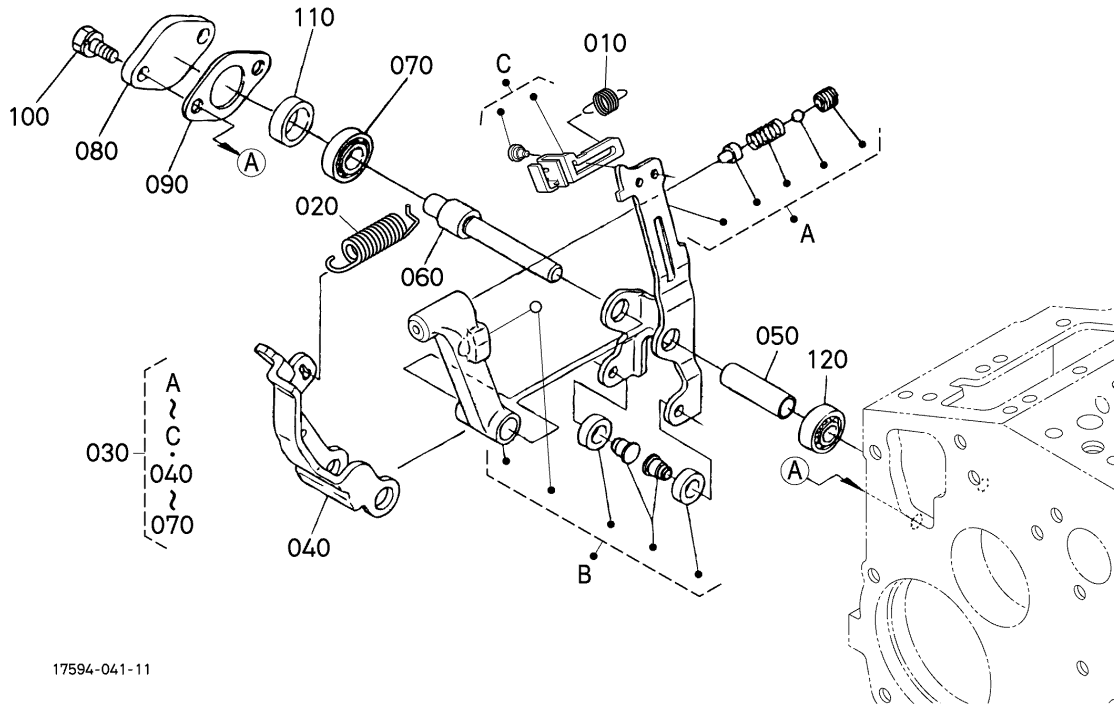
Update Date: 07/02/2017, Printing Date: 13/04/2017

Interchangeable =, Not Interchangeable NI, New for Old >>, Old for New <<

No	Part Number	Part Name	Qty	RoundUp	IC	S/N	Remarks	Kg
060	1G700-52160	SHIM,INJECTION PUMP	1				0.350mm	0.004
080	16871-91060	BOLT,SOCKET HEAD	2					0.007
090	15841-91500	STUD	2					0.02
100	15841-92320	NUT,CAP	2					0.01
110	04512-50060	WASHER,SPRING LOCK	2					0.001
120	16030-51320	BOLT,JOINT	1					0.07
130	15841-96650	GASKET	2					0.001
140	15841-51350	SCREW	1					0.005
150	15841-96660	GASKET	1					0.001
160	16030-96010	PLUG	1					0.008
170	15861-96650	GASKET	1					0.001

D1005-E4B-KEA-1 -> ENGINE -> 020400 GOVERNOR ## D1005-E4B-KEA-1

Update Date: 07/02/2017, Printing Date: 13/04/2017



D1005-E4B-KEA-1 -> ENGINE -> 020400 GOVERNOR ## D1005-E4B-KEA-1

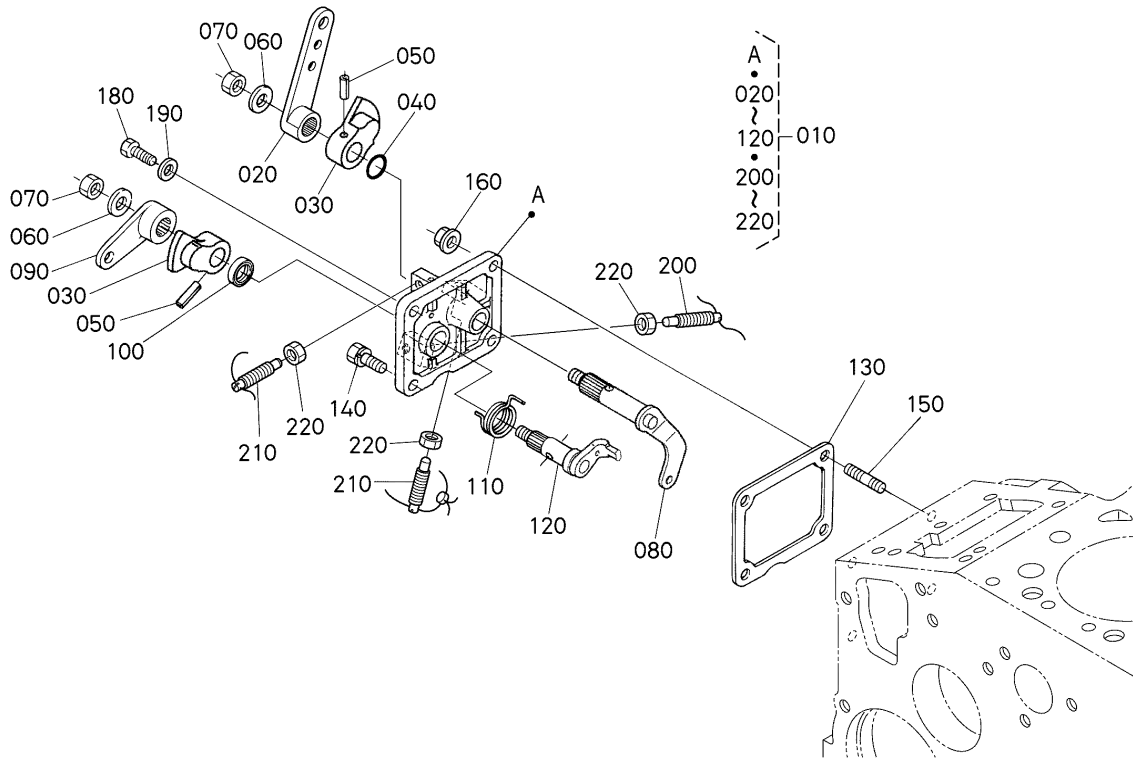
Update Date: 07/02/2017, Printing Date: 13/04/2017

Interchangeable =, Not Interchangeable NI, New for Old >>, Old for New <<

No	Part Number	Part Name	Qty	RoundUp	IC	S/N	Remarks	Kg
010	16261-56480	SPRING,START	1					0.002
020	16285-56412	SPRING,GOVERNOR	1					0.022
030	1G069-56013	ASSY LEVER,FORK	1					0.26
040	1G032-56130	LEVER,FORK	1					0.08
050	1G032-56150	SHAFT,FORK LEVER	1					0.007
060	1G032-56470	SHAFT,FORK LEVER	1					0.04
070	16241-56330	BEARING,MINIATURIZE	1					0.007
080	16241-56253	COVER,FORK LEV.SHAFT	1					0.025
090	16299-56260	GASKET	1					0.002
100	01023-50612	BOLT,SEMS	2					0.005
110	16241-56210	COLLAR	1					0.008
120	16241-56340	BEARING,MINIATURIZE	1					0.007

D1005-E4B-KEA-1 -> ENGINE -> 020500 SPEED CONTROL PLATE ## D1005-E4B-KEA-1

Update Date: 07/02/2017, Printing Date: 13/04/2017



1J995-065-10

D1005-E4B-KEA-1 -> ENGINE -> 020500 SPEED CONTROL PLATE ## D1005-E4B-KEA-1

Update Date: 07/02/2017, Printing Date: 13/04/2017

Interchangeable =, Not Interchangeable NI, New for Old >>, Old for New <<

No	Part Number	Part Name	Qty	RoundUp	IC	S/N	Remarks	Kg
010	16299-57015	PLATE,ASSY(CONTROL)	1					0.32
020	16271-57150	LEVER,SPEED CONTROL	1					0.05
030	16241-57160	LEVER,SPEED CONTROL	2					0.02
040	04814-00100	O RING	1					0.001
050	05411-00420	PIN,SPRING	2					0.001
060	16241-94020	WASHER,PLAIN	2					0.002
070	16241-92020	NUT	2					0.002
080	16271-56023	COMP.LEVER,GOVERNOR	1					0.05
090	16271-57720	LEVER,ENGINE STOP	1					0.03
100	15471-57980	SEAL,OIL	1					0.001
110	16222-57510	SPRING,RETURN	1					0.01
120	16271-57740	SHAFT,STOP LEVER	1					0.039

D1005-E4B-KEA-1 -> ENGINE -> 020500 SPEED CONTROL PLATE ## D1005-E4B-KEA-1

Update Date: 07/02/2017, Printing Date: 13/04/2017

Interchangeable =, Not Interchangeable NI, New for Old >>, Old for New <<

No	Part Number	Part Name	Qty	RoundUp	IC	S/N	Remarks	Kg
130	16264-57210	GASKET	1					0.002
140	01023-50616	BOLT,SEMS	1					0.006
150	16245-91540	STUD	2					0.005
160	02751-50060	NUT,FLANGE	2					0.005
180	01053-50616	HEX.BOLT	1					0.005
190	15601-96650	PACKING	1					0.001
200	1G263-57630	BOLT,ADJUSTING	1					0.005
210	16241-57632	BOLT(ADJUSTING)	2					0.005
220	02056-50060	HEX.NUT	3					0.002



D1005-E4B-KEA-1 -> ENGINE -> 020600 NOZZLE HOLDER AND GLOW PLUG ##  
D1005-E4B-KEA-1

Update Date: 07/02/2017, Printing Date: 13/04/2017

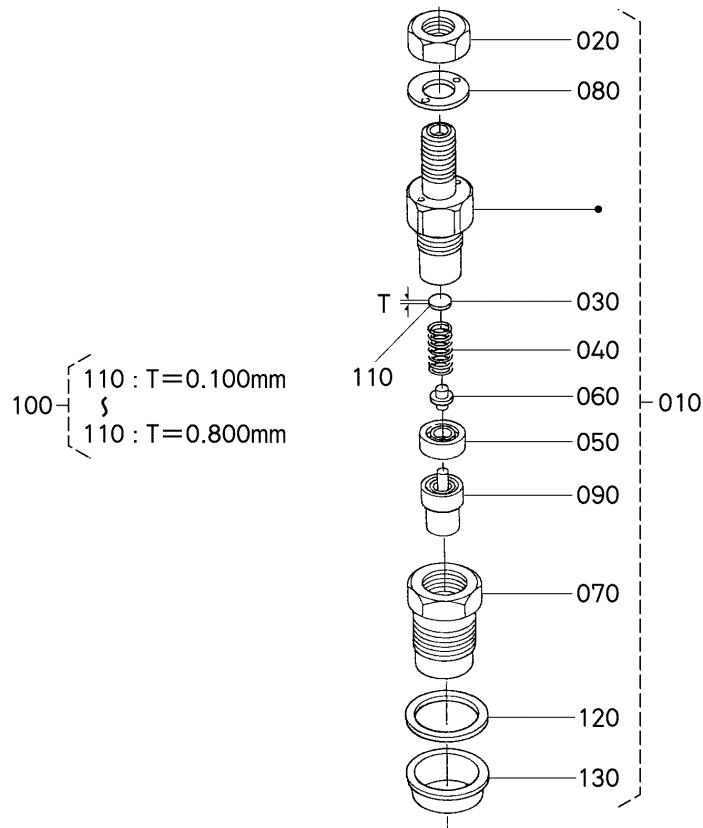
Interchangeable =, Not Interchangeable NI, New for Old >>, Old for New <<

No	Part Number	Part Name	Qty	RoundUp	IC	S/N	Remarks	Kg
110	16271-53732	PIPE,INJECTION	1					0.118
120	15841-53850	CLAMP,PIPE	2					0.008
130	15841-53860	CLAMP,PIPE	2					0.008
140	03024-50520	SCREW,SEMS(PAN HEAD)	2					0.004
150	1G679-65512	PLUG,GLOW	3					0.016
160	16261-65560	CORD,GLOW PLUG	1					0.01
170	02761-50040	NUT,FLANGE	3					0.002



D1005-E4B-KEA-1 -> ENGINE -> 020700 NOZZLE HOLDER (COMPONENT PARTS) ## D1005-E4B-KEA-1

Update Date: 07/02/2017, Printing Date: 13/04/2017



1G347-015-12

D1005-E4B-KEA-1 -> ENGINE -> 020700 NOZZLE HOLDER (COMPONENT PARTS) ## D1005-E4B-KEA-1

Update Date: 07/02/2017, Printing Date: 13/04/2017

Interchangeable =, Not Interchangeable NI, New for Old >>, Old for New <<

No	Part Number	Part Name	Qty	RoundUp	IC	S/N	Remarks	Kg
010	1G677-53903	KIT HOLDER,NOZZLE	3					0.152
020	1G826-92032	NUT	3					0.004
030	16032-53230	WASHER,ADJUSTING	3					0.001
040	16032-53170	SPRING,NOZZLE	3					0.007
050	16032-53350	SPACER,DISTANCE	3					0.02
060	16032-53160	PUSH ROD	3					0.001
070	16032-53280	NUT,NOZZLE	3					0.037
080	16032-94040	WASHER,PLAIN	3					0.002
090	1G677-53612	PIECE,NOZZLE	3					0.019
100	16032-98100	ASSY WASHER,ADJUST	3				OPTION	0.016
110	16032-98500	WASHER,ADJUSTING	3				0.100mm	0.001
110	16032-98510	WASHER,ADJUSTING	3				0.200mm	0.001

D1005-E4B-KEA-1 -> ENGINE -> 020700 NOZZLE HOLDER (COMPONENT PARTS)  
 ## D1005-E4B-KEA-1

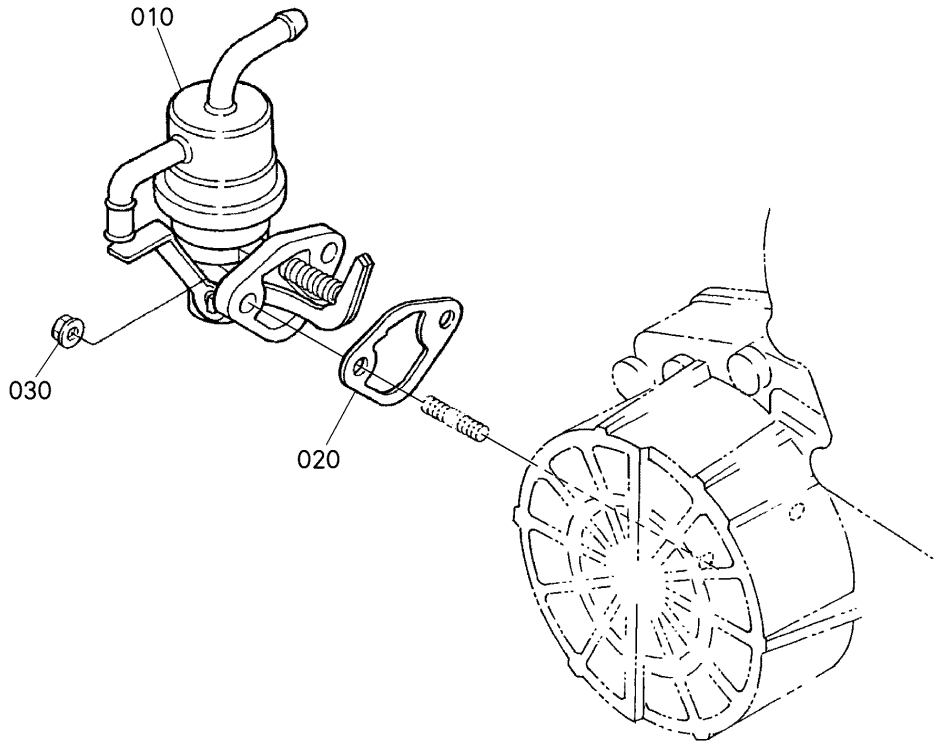
Update Date: 07/02/2017, Printing Date: 13/04/2017

Interchangeable =, Not Interchangeable NI, New for Old >>, Old for New <<

No	Part Number	Part Name	Qty	RoundUp	IC	S/N	Remarks	Kg
110	16032-98520	WASHER,ADJUSTING	3				0.300mm	0.001
110	16032-98530	WASHER,ADJUSTING	3				0.400mm	0.001
110	16032-98540	WASHER,ADJUSTING	3				0.500mm	0.001
110	16032-98550	WASHER,ADJUSTING	3				0.520mm	0.001
110	16032-98560	WASHER,ADJUSTING	3				0.540mm	0.001
110	16032-98570	WASHER,ADJUSTING	3				0.560mm	0.001
110	16032-98580	WASHER,ADJUSTING	3				0.580mm	0.001
110	16032-98590	WASHER,ADJUSTING	3				0.800mm	0.001
120	15841-53622	GASKET	3					0.002
130	19077-53650	SEAL HEAT	3					0.002

D1005-E4B-KEA-1 -> ENGINE -> 030100 FUEL PUMP(MECHANICAL) ##  
D1005-E4B-KEA-1

Update Date: 07/02/2017, Printing Date: 13/04/2017



16615-012-21

D1005-E4B-KEA-1 -> ENGINE -> 030100 FUEL PUMP(MECHANICAL) ## D1005-E4B-KEA-1

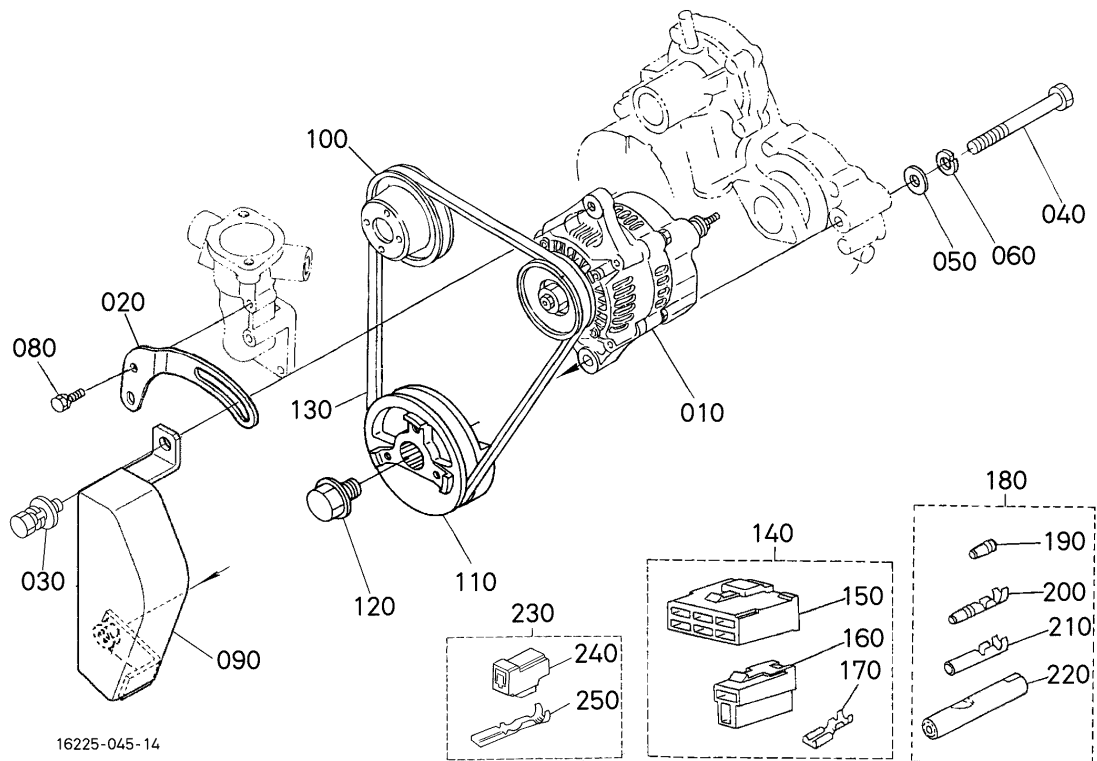
Update Date: 07/02/2017, Printing Date: 13/04/2017

Interchangeable =, Not Interchangeable NI, New for Old >>, Old for New <<

No	Part Number	Part Name	Qty	RoundUp	IC	S/N	Remarks	Kg
010	16285-52032	ASSY PUMP,FUEL	1					0.14
020	16261-52140	GASKET,FUEL PUMP	1					0.001
030	02751-50060	NUT,FLANGE	2					0.005

D1005-E4B-KEA-1 -> ENGINE -> 040200 ALTERNATOR AND PULLEY ##  
D1005-E4B-KEA-1

Update Date: 07/02/2017, Printing Date: 13/04/2017



D1005-E4B-KEA-1 -> ENGINE -> 040200 ALTERNATOR AND PULLEY ## D1005-E4B-KEA-1

Update Date: 07/02/2017, Printing Date: 13/04/2017

Interchangeable =, Not Interchangeable NI, New for Old >>, Old for New <<

No	Part Number	Part Name	Qty	RoundUp	IC	S/N	Remarks	Kg
010	16241-64012	ASSY ALTERNATOR	1			<=1EMZ999	12V 40A ORDER BY REF.No.010 NEW PART	3.0
010	16241-64013	ASSY ALTERNATOR	1		>>	>=1EN0001	12V 40A	3.0
020	16241-64422	STAY,DYNAMO	1					0.095
030	01127-50830	BOLT,W SEMS(LARGE WASHER)	1					0.023
040	01173-51085	HEX.BOLT	1					0.051
050	04011-50100	WASHER,PLAIN	1					0.002
060	04512-50100	WASHER,SPRING LOCK	1					0.003
080	01023-50616	BOLT,SEMS	1					0.006
090	16616-13860	COVER,BELT	1					0.2

D1005-E4B-KEA-1 -> ENGINE -> 040200 ALTERNATOR AND PULLEY ## D1005-E4B-KEA-1

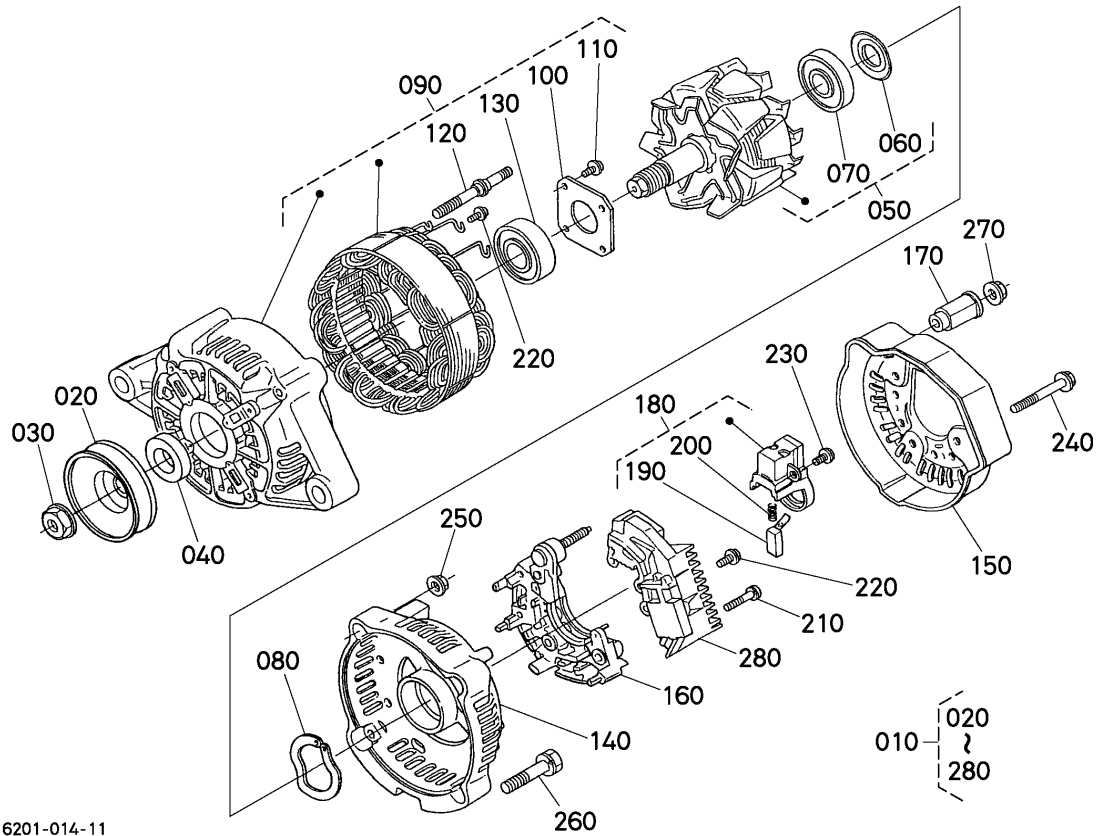
Update Date: 07/02/2017, Printing Date: 13/04/2017

Interchangeable =, Not Interchangeable NI, New for Old >>, Old for New <<

No	Part Number	Part Name	Qty	RoundUp	IC	S/N	Remarks	Kg
100	16241-74250	PULLEY,FAN	1					0.24
110	16229-74280	PULLEY,FAN DRIVE	1					1.19
120	16241-91020	BOLT(FAN DRIVE)	1					0.1
130	16282-97013	V BELT	1				37.5in	0.072
140	19883-65830	ASSY COUPLER	1					0.013
150	19872-65840	CONNECTOR	1					0.006
160	19872-65880	CONNECTOR	1					0.001
170	19237-65910	TERMINAL	7					0.001
180	19268-65780	ASSY TERMINAL	1					0.003
190	68271-65920	SLEEVE	1					0.001
200	68271-65910	TERMINAL	1					0.003
210	19268-65930	TERMINAL	1					0.001
220	19268-65870	SLEEVE	1					0.001
230	1C010-65830	ASSY COUPLER,SOLENO.	1					0.005
240	1C010-65880	CONNECTOR	1					0.005
250	1C010-65910	TERMINAL	2					0.001

D1005-E4B-KEA-1 -> ENGINE -> 040300 ALTERNATOR (COMPONENT PARTS) ## D1005-E4B-KEA-1

Update Date: 07/02/2017, Printing Date: 13/04/2017



D1005-E4B-KEA-1 -> ENGINE -> 040300 ALTERNATOR (COMPONENT PARTS) ## D1005-E4B-KEA-1

Update Date: 07/02/2017, Printing Date: 13/04/2017

Interchangeable =, Not Interchangeable NI, New for Old >>, Old for New <<

No	Part Number	Part Name	Qty	RoundUp	IC	S/N	Remarks	Kg
010	16241-64012	ASSY ALTERNATOR	1			<=1EMZ999	ORDER BY REF.No.010 NEW PART	3.0
010	16241-64013	ASSY ALTERNATOR	1			>> >=1EN0001		3.0
020	15881-64110	PULLEY,DYNAMO	1					0.16
030	15881-92010	NUT	1					0.02
040	15881-64150	COLLAR	1					0.004
050	66436-64040	ROTOR	1					1.2
060	15881-64800	COVER, BEARING	1					0.001
070	16652-64770	BEARING BALL	1					0.045
080	15881-64810	WASHER, THRUST	1					0.002

D1005-E4B-KEA-1 -> ENGINE -> 040300 ALTERNATOR (COMPONENT PARTS) ##  
D1005-E4B-KEA-1

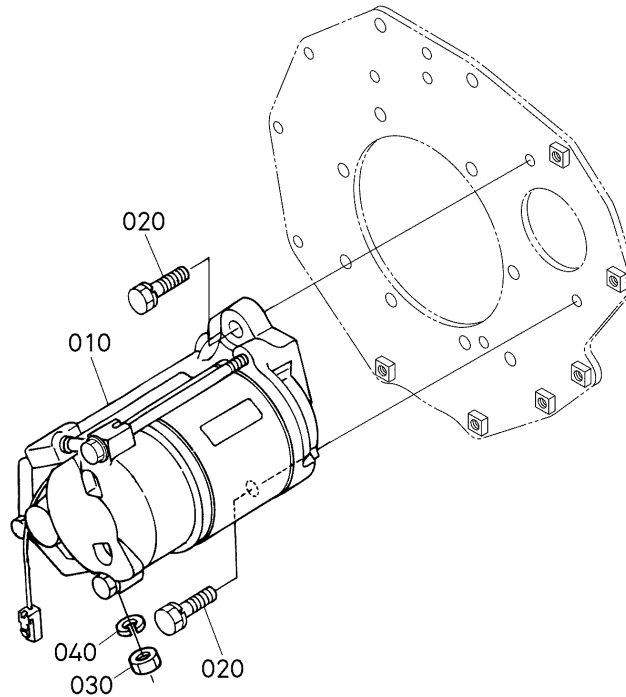
Update Date: 07/02/2017, Printing Date: 13/04/2017

Interchangeable =, Not Interchangeable NI, New for Old >>, Old for New <<

No	Part Number	Part Name	Qty	RoundUp	IC	S/N	Remarks	Kg
090	66436-64020	FRAME,DRIVE END	1			<=1EMZ999	ORDER BY REF.No.090 NEW PART	1.1
090	66436-64022	FRAME,DRIVE END	1		>>	>=1EN0001		1.1
100	15881-64710	PLATE, RETAINER	1					0.01
110	15881-93010	SCREW, ROUND HEAD	4					0.003
120	15881-64260	BOLT, THROUGH	2					0.01
130	16652-64782	BEARING BALL	1					0.05
140	16231-64060	FRAME,END	1					0.17
150	16231-64230	COVER,END	1					0.035
160	16241-64850	ASSY RECTIFIER	1					0.16
170	16241-64900	BUSH INSULATION	1					0.007
180	16652-64310	HOLDER BRUSH	1					0.025
190	15881-64090	BRUSH	2					0.002
200	15881-64330	SPRING, BRUSH	2					0.002
210	15881-93020	SCREW, ROUND HEAD	2					0.005
220	15881-93030	SCREW, ROUND HEAD	6					0.003
230	15881-93040	SCREW, ROUND HEAD	1					0.003
240	15881-91040	BOLT	3					0.005
250	15881-92020	NUT	2					0.02
260	15881-91050	BOLT	2					0.01
270	14182-92030	NUT	1					0.003
280	1K531-64602	ASSY REGULATOR	1					0.08

D1005-E4B-KEA-1 -> ENGINE -> 040400 STARTER ## D1005-E4B-KEA-1

Update Date: 07/02/2017, Printing Date: 13/04/2017



1J996-012-10

D1005-E4B-KEA-1 -> ENGINE -> 040400 STARTER ## D1005-E4B-KEA-1

Update Date: 07/02/2017, Printing Date: 13/04/2017

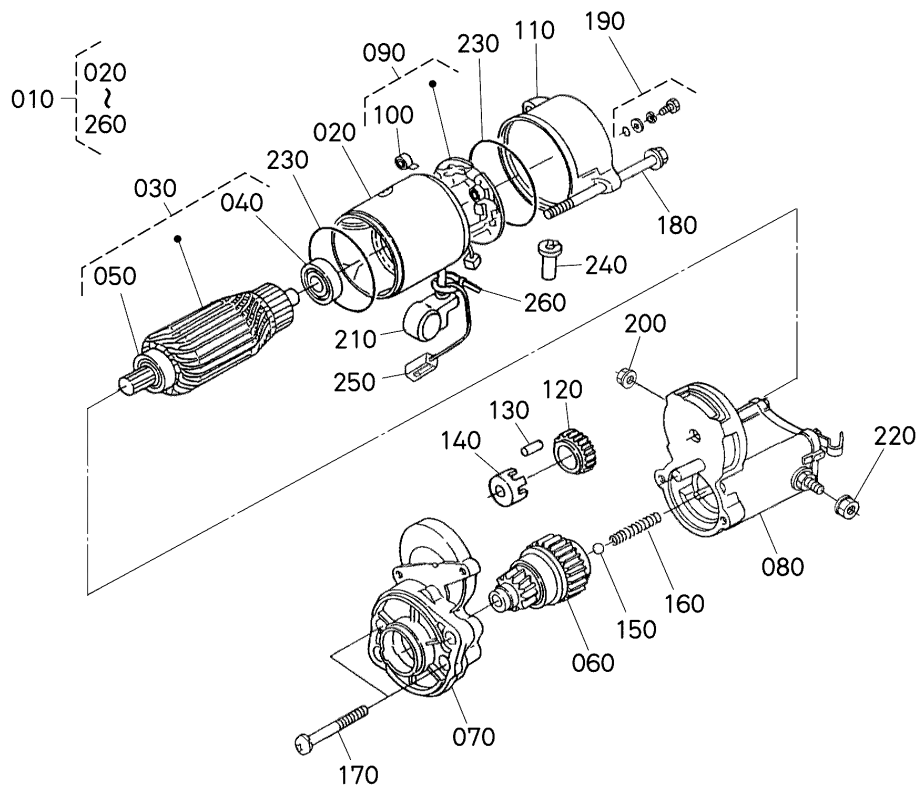
Interchangeable =, Not Interchangeable NI, New for Old >>, Old for New <<

No	Part Number	Part Name	Qty	RoundUp	IC	S/N	Remarks	Kg
010	37560-63010	ASSY STARTER	1				12V 1.2kW	3.45
020	01123-50830	BOLT,SEMS	2					0.015
030	02156-50080	HEX.NUT	1					0.004
040	04512-50080	WASHER,SPRING LOCK	1					0.002



D1005-E4B-KEA-1 -> ENGINE -> 040500 STARTER (COMPONENT PARTS) ##  
D1005-E4B-KEA-1

Update Date: 07/02/2017, Printing Date: 13/04/2017



37560-013-27

D1005-E4B-KEA-1 -> ENGINE -> 040500 STARTER (COMPONENT PARTS) ##  
D1005-E4B-KEA-1

Update Date: 07/02/2017, Printing Date: 13/04/2017

Interchangeable =, Not Interchangeable NI, New for Old >>, Old for New <<

No	Part Number	Part Name	Qty	RoundUp	IC	S/N	Remarks	Kg
010	37560-63010	ASSY STARTER	1					3.45
020	37560-63080	YOKE	1					0.83
030	11460-63070	ARMATURE	1					0.72
040	11460-63530	BEARING	1					0.02
050	11460-63500	BEARING	1					0.03
060	16285-63040	ASSY CLUTCH	1					0.55
070	16285-63030	ASSY HOUSING	1					0.43
080	16611-63020	ASSY SWITCH,MAGNETIC	1					0.91
090	11470-63380	ASSY HOLDER,BRUSH	1					0.3
100	11460-63390	SPRING,BRUSH	4					0.01
110	16285-63200	ASSY FRAME,END	1					0.103

D1005-E4B-KEA-1 -> ENGINE -> 040500 STARTER (COMPONENT PARTS) ##  
D1005-E4B-KEA-1

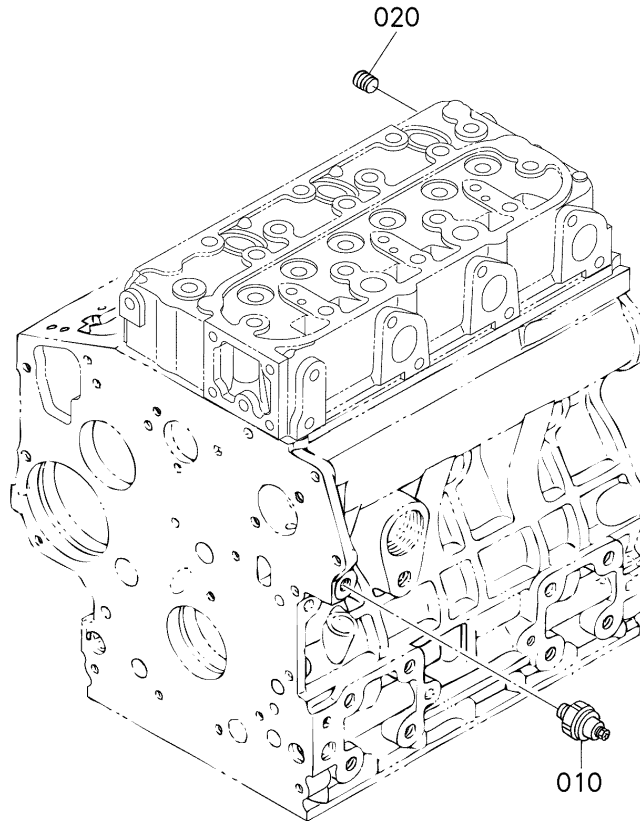
Update Date: 07/02/2017, Printing Date: 13/04/2017

Interchangeable =, Not Interchangeable NI, New for Old >>, Old for New <<

No	Part Number	Part Name	Qty	RoundUp	IC	S/N	Remarks	Kg
120	11460-63270	GEAR	1					0.04
130	19212-63100	ROLLER	5					0.002
140	11460-63110	RETAINER	1					0.01
150	19212-97130	BALL	1					0.003
160	11460-63120	SPRING	1					0.01
170	11460-93310	BOLT	2					0.01
180	11460-63320	BOLT,THROUGH	2					0.02
190	15511-63760	ASSY BOLT	2					0.005
200	16285-92010	NUT,HEXAGON	1					0.005
210	16611-63450	COVER	1					0.03
220	16611-92020	NUT,HEXAGON	1					0.005
230	15511-96660	O RING	2					0.005
240	16285-63570	PIPE,DRAIN	1					0.005
250	16611-63660	CORD,STOP SOLENOID	1					0.005
260	16612-63100	BAND,COVER	1					0.01

D1005-E4B-KEA-1 -> ENGINE -> 040600 OIL SWITCH AND PLUG ## D1005-E4B-KEA-1

Update Date: 07/02/2017, Printing Date: 13/04/2017



1G324-025-12

D1005-E4B-KEA-1 -> ENGINE -> 040600 OIL SWITCH AND PLUG ## D1005-E4B-KEA-1

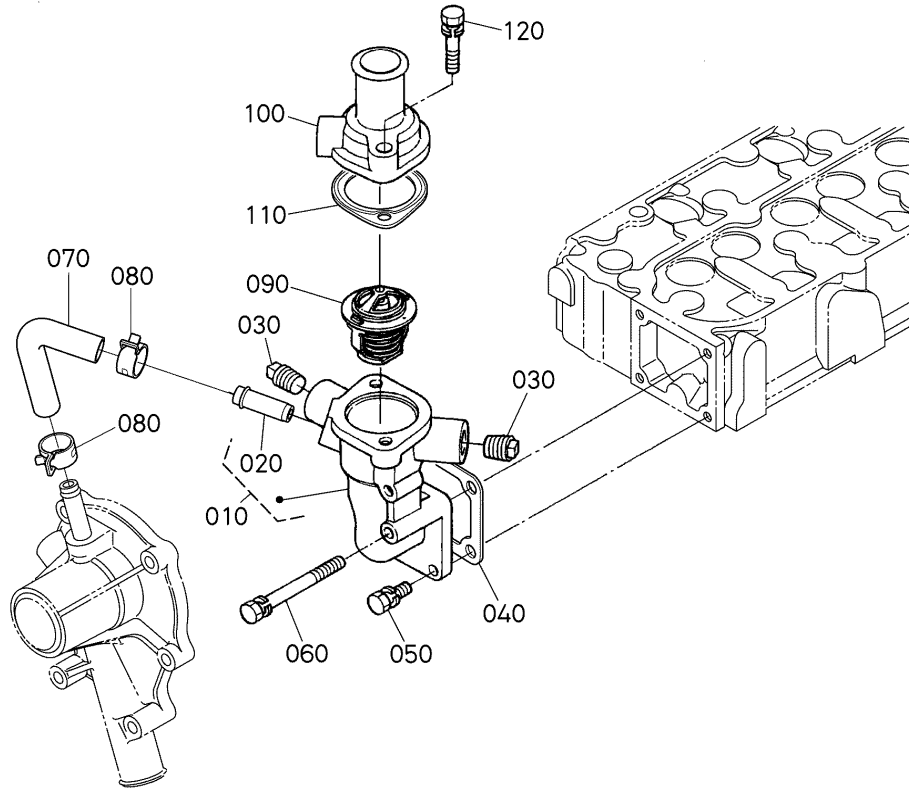
Update Date: 07/02/2017, Printing Date: 13/04/2017

Interchangeable =, Not Interchangeable NI, New for Old >>, Old for New <<

No	Part Number	Part Name	Qty	RoundUp	IC	S/N	Remarks	Kg
010	15841-39010	W-SWITCH OIL PRESSUR	1			<=1FZZ999		0.03
010	15841-39013	SWITCH,OIL	1		>>	>=1GA0001		0.03
020	15841-96020	PLUG	1					0.02

D1005-E4B-KEA-1 -> ENGINE -> 050000 WATER FLANGE AND THERMOSTAT ## D1005-E4B-KEA-1

Update Date: 07/02/2017, Printing Date: 13/04/2017



16614-024-24

D1005-E4B-KEA-1 -> ENGINE -> 050000 WATER FLANGE AND THERMOSTAT ## D1005-E4B-KEA-1

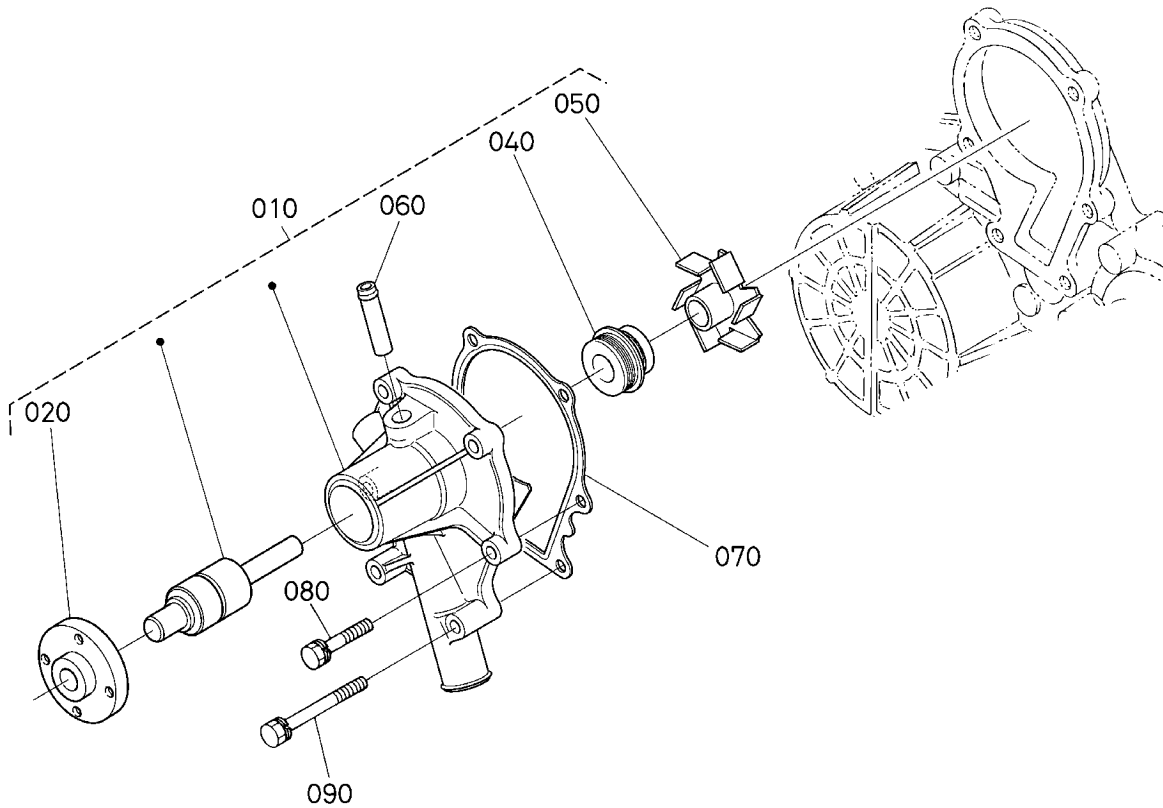
Update Date: 07/02/2017, Printing Date: 13/04/2017

Interchangeable =, Not Interchangeable NI, New for Old >>, Old for New <<

No	Part Number	Part Name	Qty	RoundUp	IC	S/N	Remarks	Kg
010	16613-72700	COMP FLANGE,WATER	1					0.266
020	16241-73370	PIPE,WATER RETURN	1					0.007
030	19071-96020	PLUG	2					0.022
040	16264-72920	GASKET,WATER FLANGE	1					0.001
050	01023-50616	BOLT,SEMS	3					0.006
060	01023-50655	BOLT,SEMS	1					0.012
070	16241-73350	PIPE,WATER RETURN	1					0.015
080	1G687-73362	CLAMP,HOSE	2					0.002
090	19434-73014	ASSY THERMOSTAT	1					0.07
100	16219-73260	COVER(THERMOSTAT)	1					0.099
110	16221-73270	GASKET,THEMOSTAT	1					0.001
120	01123-50835	BOLT,SEMS	2					0.02

D1005-E4B-KEA-1 -> ENGINE -> 050100 WATER PUMP ## D1005-E4B-KEA-1

Update Date: 07/02/2017, Printing Date: 13/04/2017



16259-001-14

D1005-E4B-KEA-1 -> ENGINE -> 050100 WATER PUMP ## D1005-E4B-KEA-1

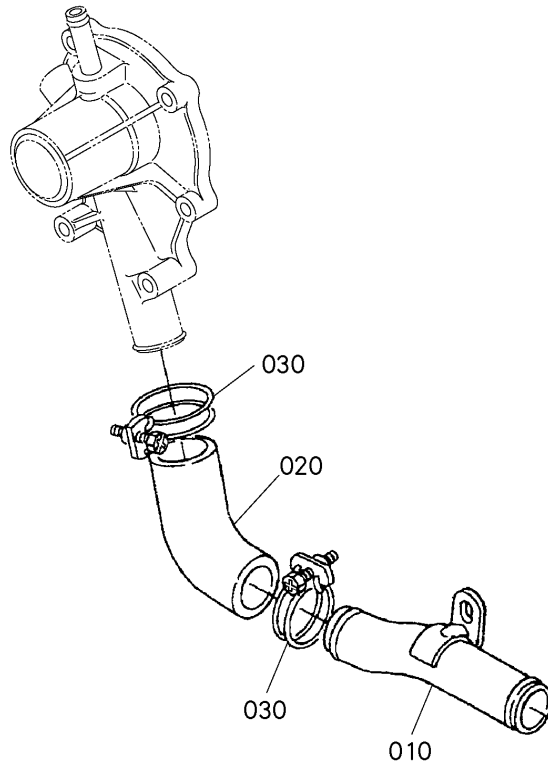
Update Date: 07/02/2017, Printing Date: 13/04/2017

Interchangeable =, Not Interchangeable NI, New for Old >>, Old for New <<

No	Part Number	Part Name	Qty	RoundUp	IC	S/N	Remarks	Kg
010	16251-73034	PUMP,WATER,ASSY	1					0.8
020	16259-73520	FLANGE,WATER PUMP	1					0.15
040	1G642-73050	ASSY SEAL,MECHANICAL	1					0.03
050	16259-73512	IMPELLER,WATER PUMP	1					0.09
060	15852-73340	PIPE,WATER RETURN	1					0.02
070	16239-73430	GASKET,WATER PUMP	1					0.007
080	01023-50630	BOLT,SEMS	4					0.008
090	01023-50685	BOLT,SEMS	2					0.018

D1005-E4B-KEA-1 -> ENGINE -> 050300 WATER PIPE ## D1005-E4B-KEA-1

Update Date: 07/02/2017, Printing Date: 13/04/2017



1J401-025-11

D1005-E4B-KEA-1 -> ENGINE -> 050300 WATER PIPE ## D1005-E4B-KEA-1

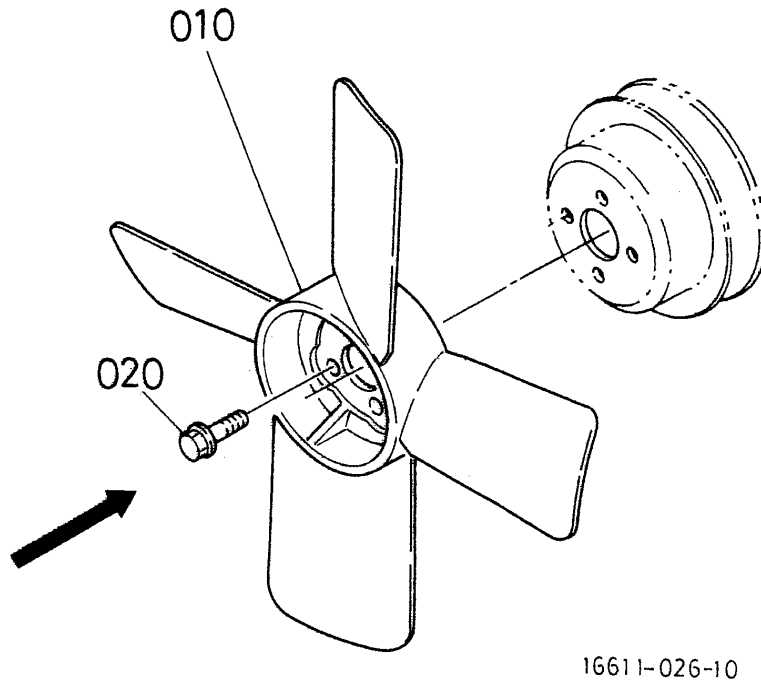
Update Date: 07/02/2017, Printing Date: 13/04/2017

Interchangeable =, Not Interchangeable NI, New for Old >>, Old for New <<

No	Part Number	Part Name	Qty	RoundUp	IC	S/N	Remarks	Kg
010	17203-72860	PIPE,WATER	1					0.16
020	1G680-72870	PIPE,WATER	1					0.053
030	1G677-72960	CLAMP,HOSE	2					0.024

D1005-E4B-KEA-1 -> ENGINE -> 050400 FAN ## D1005-E4B-KEA-1

Update Date: 07/02/2017, Printing Date: 13/04/2017



D1005-E4B-KEA-1 -> ENGINE -> 050400 FAN ## D1005-E4B-KEA-1

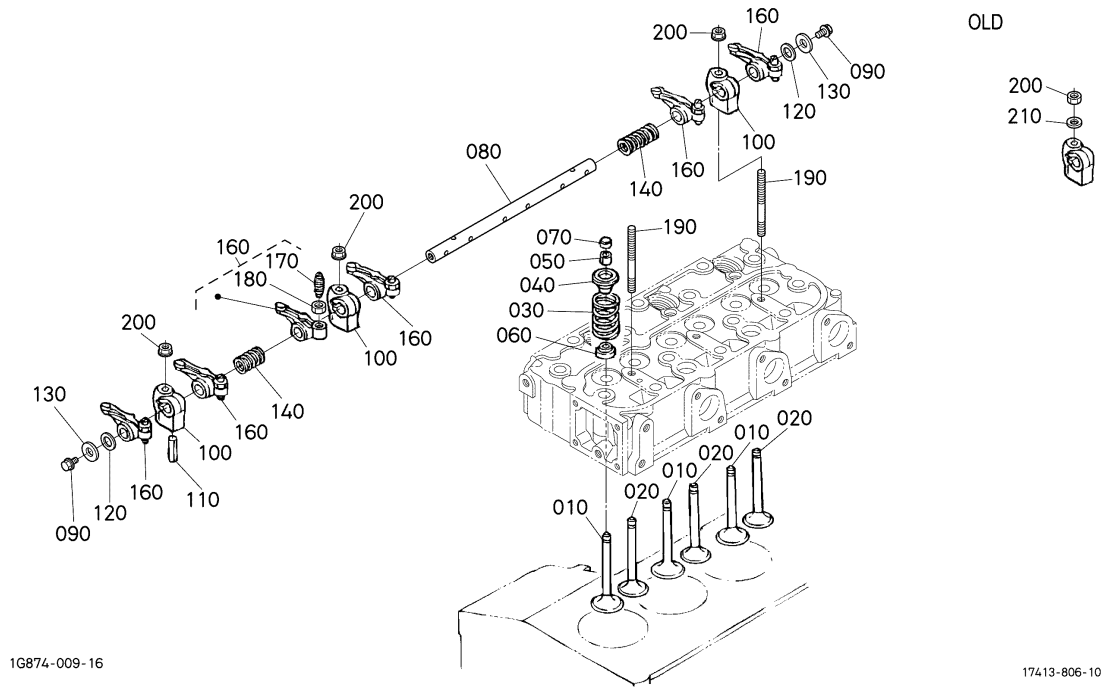
Update Date: 07/02/2017, Printing Date: 13/04/2017

Interchangeable =, Not Interchangeable NI, New for Old >>, Old for New <<

No	Part Number	Part Name	Qty	RoundUp	IC	S/N	Remarks	Kg
010	16265-74110	FAN	1					0.24
020	01754-50610	BOLT,FLANGE	4					0.006

D1005-E4B-KEA-1 -> ENGINE -> 060000 VALVE AND ROCKER ARM ##  
D1005-E4B-KEA-1

Update Date: 07/02/2017, Printing Date: 13/04/2017



D1005-E4B-KEA-1 -> ENGINE -> 060000 VALVE AND ROCKER ARM ## D1005-E4B-KEA-1

Update Date: 07/02/2017, Printing Date: 13/04/2017

Interchangeable =, Not Interchangeable NI, New for Old >>, Old for New <<

No	Part Number	Part Name	Qty	RoundUp	IC	S/N	Remarks	Kg
010	1G673-13110	VALVE,INLET	3					0.043
020	1G673-13120	VALVE,EXHAUST	3					0.043
030	16271-13240	SPRING,VALVE	6					0.015
040	16261-13330	RETAINER,VALVE SP.	6					0.015
050	15261-13360	COLLET,VALVE SPRING	6				SET	0.001
060	1C010-13150	SEAL,VALVE STEM	6					0.002
070	16241-13280	CAP,VALVE	6					0.005
080	16261-14266	SHAFT,ROCKER ARM	1					0.16
090	01754-50610	BOLT,FLANGE	2					0.006
100	16241-14350	BRACKET(ARM,ROCKER)	3					0.04
110	05411-00428	PIN,SPRING	1					0.002
120	16241-14430	WASHER,R-ARM.SHAFT	2					0.002
130	15841-94022	WASHER,PLAIN	2					0.005
140	16241-14310	SPRING,ROCKER ARM	2					0.004
160	16241-14032	ARM,ROCKER,ASSY	6					0.052



D1005-E4B-KEA-1 -> ENGINE -> 060000 VALVE AND ROCKER ARM ## D1005-E4B-KEA-1

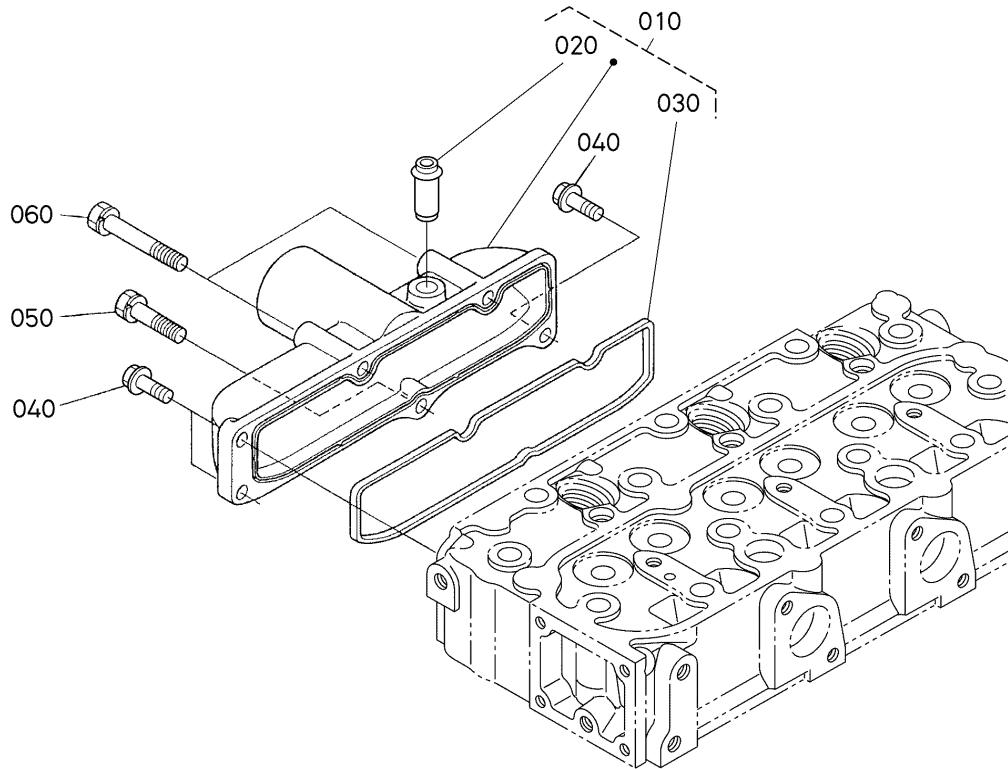
Update Date: 07/02/2017, Printing Date: 13/04/2017

Interchangeable =, Not Interchangeable NI, New for Old >>, Old for New <<

No	Part Number	Part Name	Qty	RoundUp	IC	S/N	Remarks	Kg
170	16241-14230	SCREW,ADJUSTING	6					0.008
180	16241-14240	NUT	6					0.004
190	16241-14410	STUD	3					0.022
200	15261-92010	NUT	3			<=1DRZ999		0.005
200	1J095-92010	NUT,FLANGE	3		NI	>=1DS0001		0.005
210	15261-94010	WASHER,PLAIN	3			<=1DRZ999		0.002

D1005-E4B-KEA-1 -> ENGINE -> 060100 INLET MANIFOLD ## D1005-E4B-KEA-1

Update Date: 07/02/2017, Printing Date: 13/04/2017



1G062-006-18

D1005-E4B-KEA-1 -> ENGINE -> 060100 INLET MANIFOLD ## D1005-E4B-KEA-1

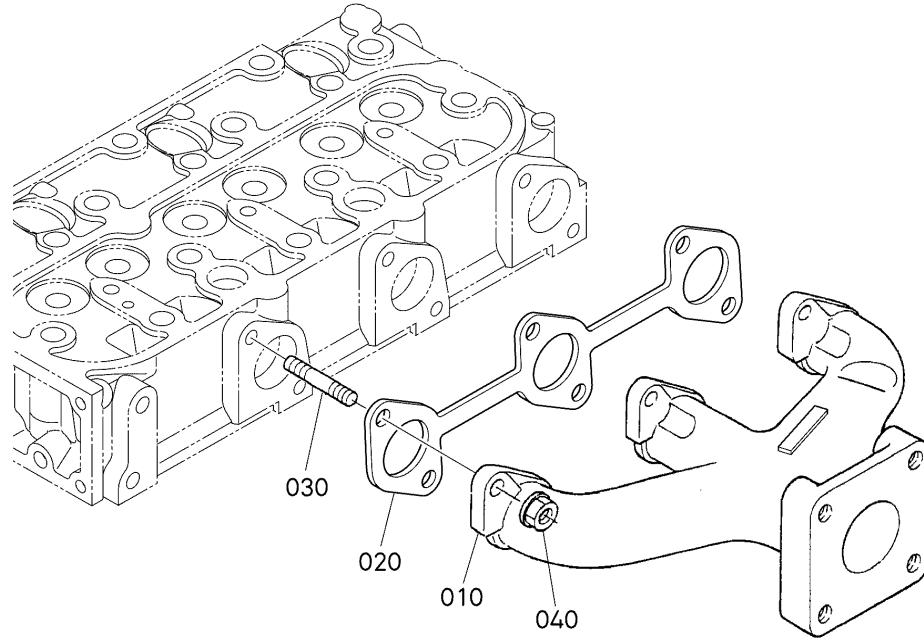
Update Date: 07/02/2017, Printing Date: 13/04/2017

Interchangeable =, Not Interchangeable NI, New for Old >>, Old for New <<

No	Part Number	Part Name	Qty	RoundUp	IC	S/N	Remarks	Kg
010	17407-11770	ASSY MANIFOLD,INLET	1			<=1FMZ999		0.3
010	17407-11773	ASSY MANIFOLD,INLET	1		>>	>=1FN0001		0.284
020	16241-05550	JOINT,BREATHER PIPE	1					0.02
030	16261-11822	GASKET(IN- MANIFOLD)	1					0.01
040	01754-50616	BOLT,FLANGE	3					0.006
050	01023-50630	BOLT,SEMS	1					0.008
060	01023-50650	BOLT,SEMS	2					0.012

D1005-E4B-KEA-1 -> ENGINE -> 060200 EXHAUST MANIFOLD ## D1005-E4B-KEA-1

Update Date: 07/02/2017, Printing Date: 13/04/2017



16611-028-16

D1005-E4B-KEA-1 -> ENGINE -> 060200 EXHAUST MANIFOLD ## D1005-E4B-KEA-1

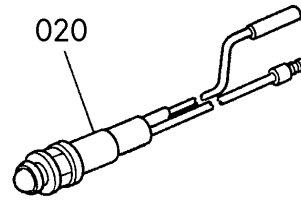
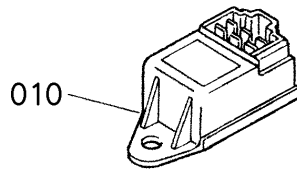
Update Date: 07/02/2017, Printing Date: 13/04/2017

Interchangeable =, Not Interchangeable NI, New for Old >>, Old for New <<

No	Part Number	Part Name	Qty	RoundUp	IC	S/N	Remarks	Kg
010	17213-12312	MANIFOLD,EXHAUST	1					1.47
020	16261-12350	GASKET,EX-MANIFOLD	1					0.019
030	16241-91490	STUD	6					0.005
040	16271-92010	NUT	6					0.005

D1005-E4B-KEA-1 -> ENGINE -> 080000 GLOW LAMP AND TIMER ## D1005-E4B-KEA-1

Update Date: 07/02/2017, Printing Date: 13/04/2017



16614-037-13

D1005-E4B-KEA-1 -> ENGINE -> 080000 GLOW LAMP AND TIMER ## D1005-E4B-KEA-1

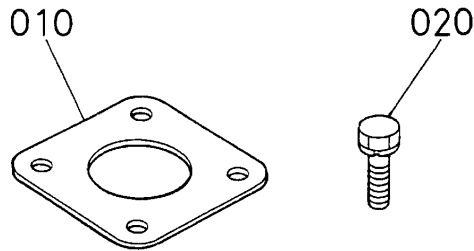
Update Date: 07/02/2017, Printing Date: 13/04/2017

Interchangeable =, Not Interchangeable NI, New for Old >>, Old for New <<

No	Part Number	Part Name	Qty	RoundUp	IC	S/N	Remarks	Kg
010	15694-65990	TIMER(GLOW LAMP)	1					0.03
020	15403-64490	LAMP,INDICATOR	1					0.02

D1005-E4B-KEA-1 -> ENGINE -> 080800 ACCESSORIES AND SERVICE PARTS ## D1005-E4B-KEA-1

Update Date: 07/02/2017, Printing Date: 13/04/2017



1G662-022-10

D1005-E4B-KEA-1 -> ENGINE -> 080800 ACCESSORIES AND SERVICE PARTS ## D1005-E4B-KEA-1

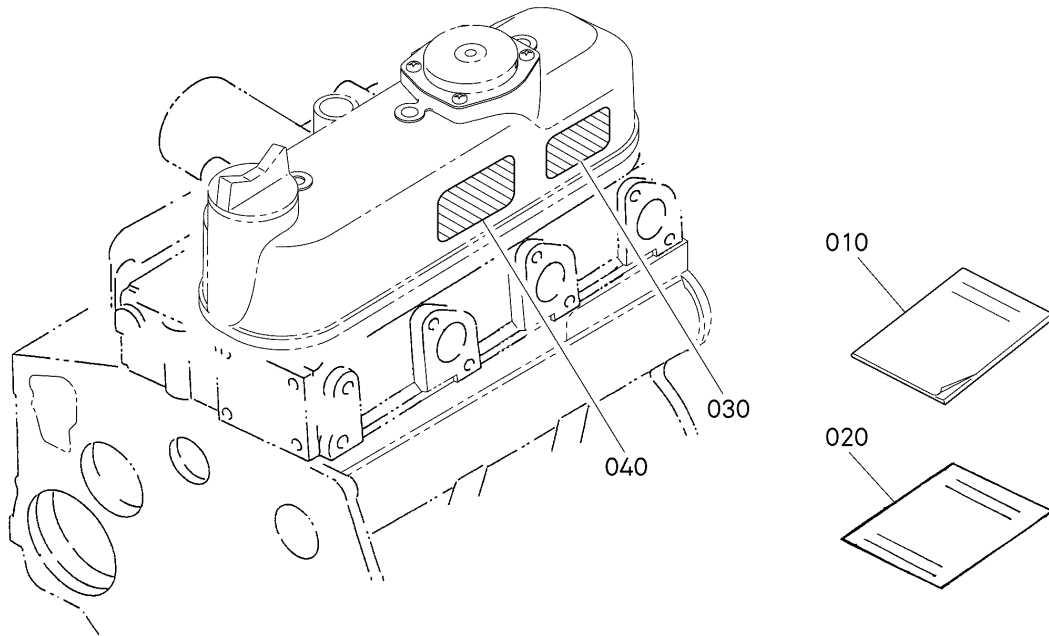
Update Date: 07/02/2017, Printing Date: 13/04/2017

Interchangeable =, Not Interchangeable NI, New for Old >>, Old for New <<

No	Part Number	Part Name	Qty	RoundUp	IC	S/N	Remarks	Kg
010	15263-12370	PACKING,MUFFLER	1					0.015
020	01123-50822	BOLT,SEMS	4					0.012

D1005-E4B-KEA-1 -> ENGINE -> 080900 LABEL AND OPERATOR'S MANUAL  
 ## D1005-E4B-KEA-1

Update Date: 07/02/2017, Printing Date: 13/04/2017



1J977-025-11

D1005-E4B-KEA-1 -> ENGINE -> 080900 LABEL AND OPERATOR'S MANUAL ##  
 D1005-E4B-KEA-1

Update Date: 07/02/2017, Printing Date: 13/04/2017

Interchangeable =, Not Interchangeable NI, New for Old >>, Old for New <<

No	Part Number	Part Name	Qty	RoundUp	IC	S/N	Remarks	Kg
010	1J095-89160	MANUAL,OP	1			<=1GPZ999		0.12
010	1J095-89162	MANUAL,OP	1			>> >=1GA0001		0.12
020	1J013-89810	MANUAL,INST.	1			<=1DZZ999		0.011
020	1J014-89810	MANUAL,INST	1		NI	>=1EA0001		0.01
020	1J015-89810	MANUAL,INST	1		NI	>=1FA0001		0.01
020	1J016-89810	MANUAL,INST	1		NI	>=1GA0001		0.01
020	1J017-89810	MANUAL,INST	1		NI	>=1HA0001		0.0
030	19426-87903	LABEL	1					0.001
040	19426-87880	LABEL,INSTRUCTION	1					0.001