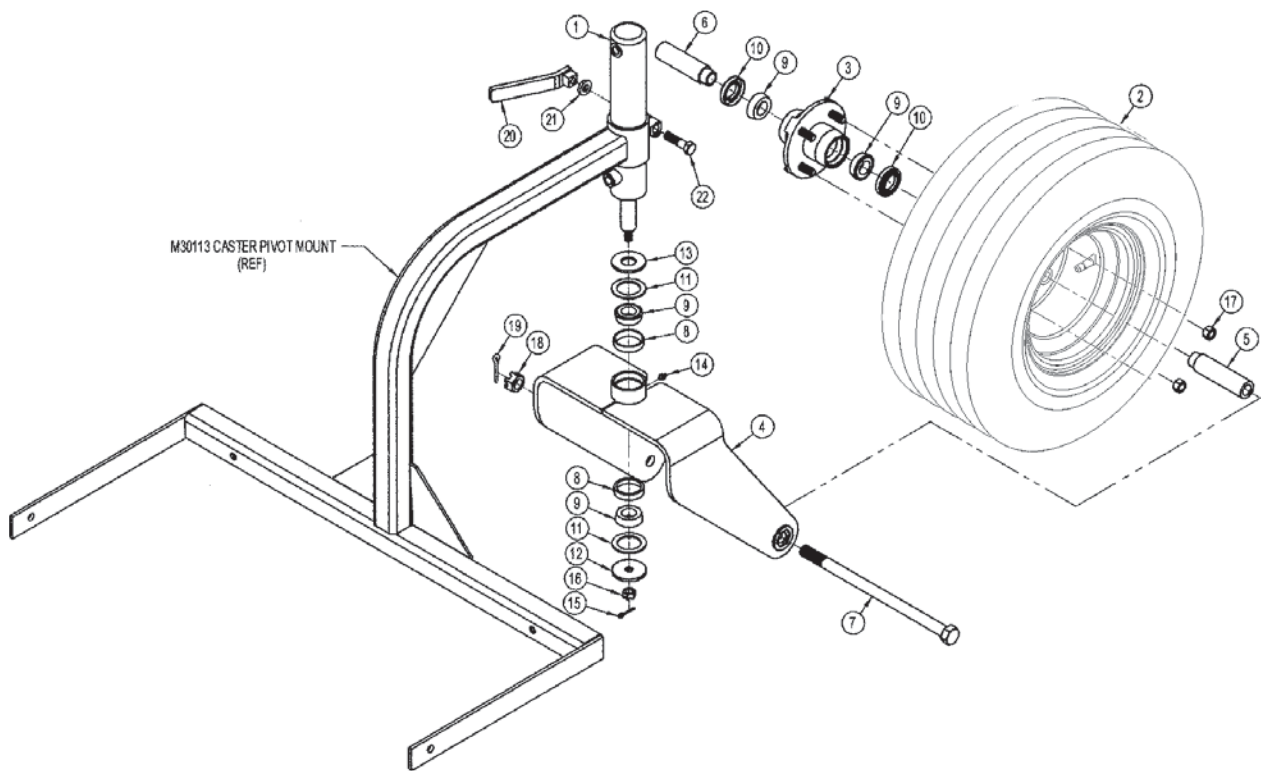
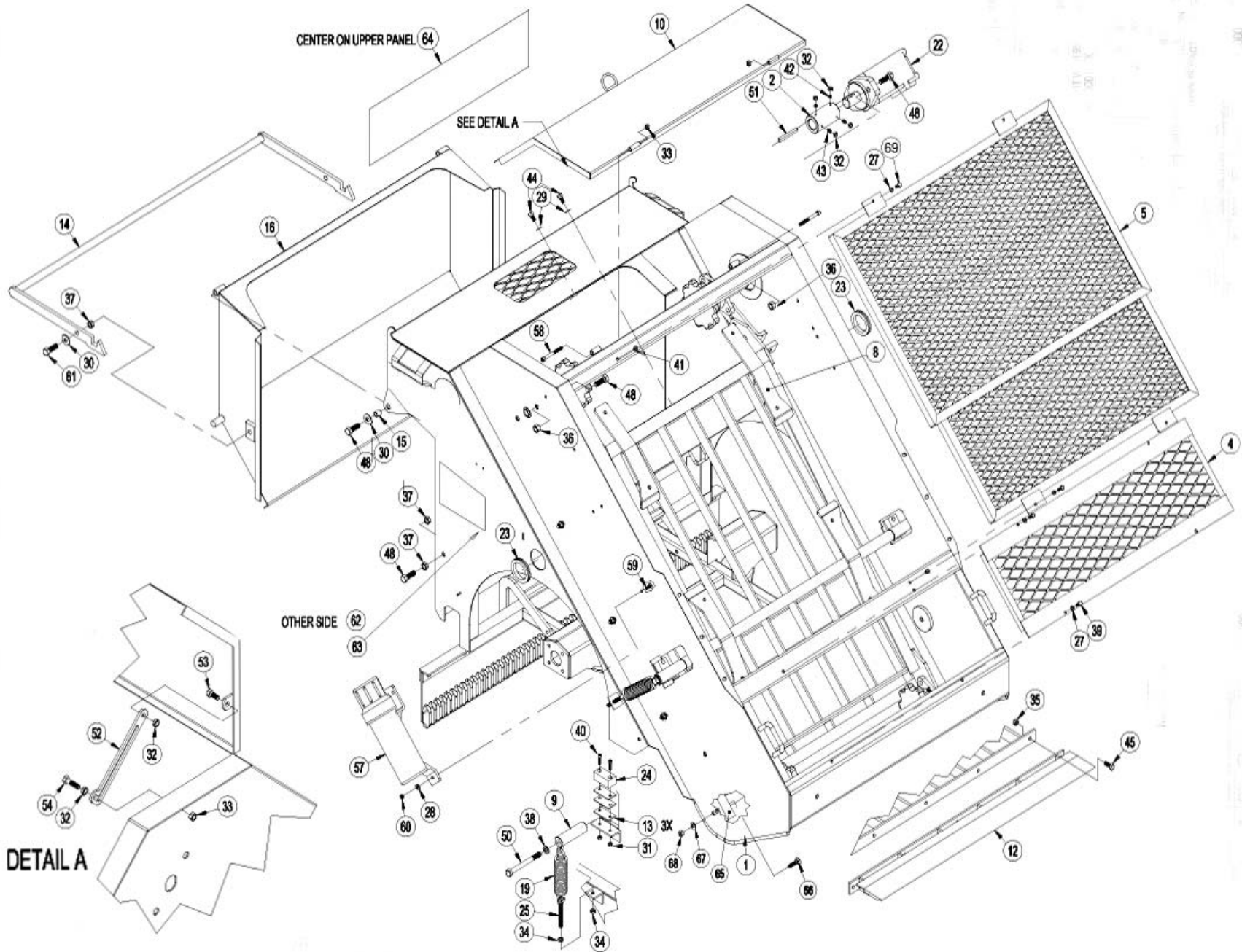


FRONT CASTER WHEEL ASSEMBLY



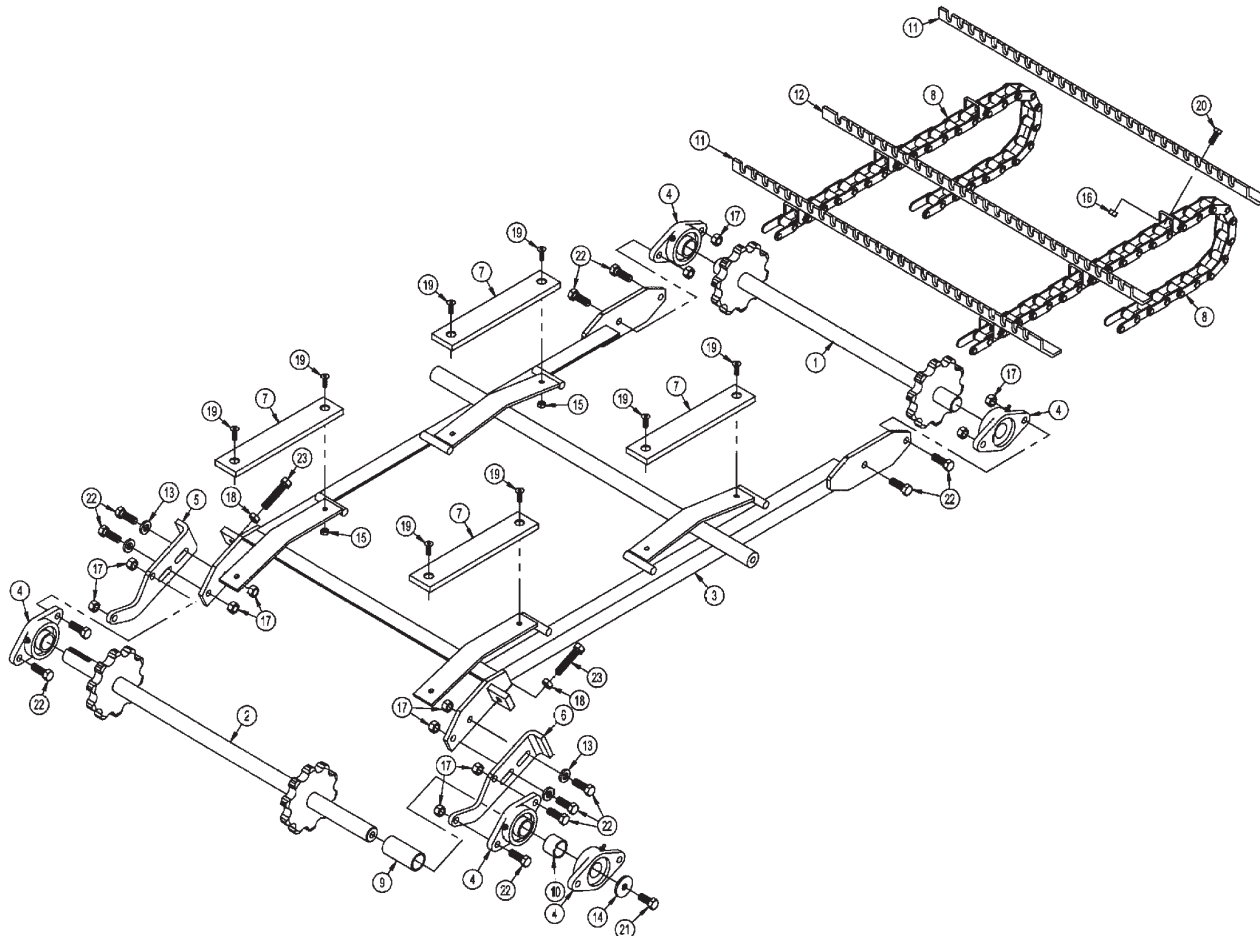
<u>ITEM</u>	<u>QTY</u>	<u>PART NO.</u>	<u>DESCRIPTION</u>
1	1	P257610	HYDRAULIC CYLINDER
2	1	005360	WHEEL ASSY: 22 X 11-8
3	1	P756161	WHEEL HUB WITH STUDS
4	1	M30121	950 CASTER WELDMENT
5	1	M30114	AXLE SPACER LONG
6	1	M30119	AXLE SPACER SHORT
7	1	M30120	AXLE BOLT 13-1/2"
8	2	P762100	1" BEARING CUP
9	4	P762200	1" BEARING CONE
10	2	P756163	GREASE SEAL
11	2	P852300	FELT WASHER
12	1	M5462	2-1/4" OD X 17/32" ID WASHER
13	1	M5464	2-1/4" OD X 1" ID WASHER
14	1	P620200	1/4-28 STR GREASE FITTING
15	1	P116204	1/8" X 1" COTTER PIN
16	1	P158006	1/2" SLOTTED HEX NUT
17	4	P756165	1/2-20 WHEEL NUT
18	1	P158000	3/4 SLOTTED HEX NUT
19	1	P116256	5/32" X 1-1/2" COTTER PIN
20	1	M6415	CASTER WHEEL
21	1	P852608	1/2" HARD WASHER
22	1	P102808	1/2" X 2" FINE THREAD BOLT



GENERAL ASSEMBLY

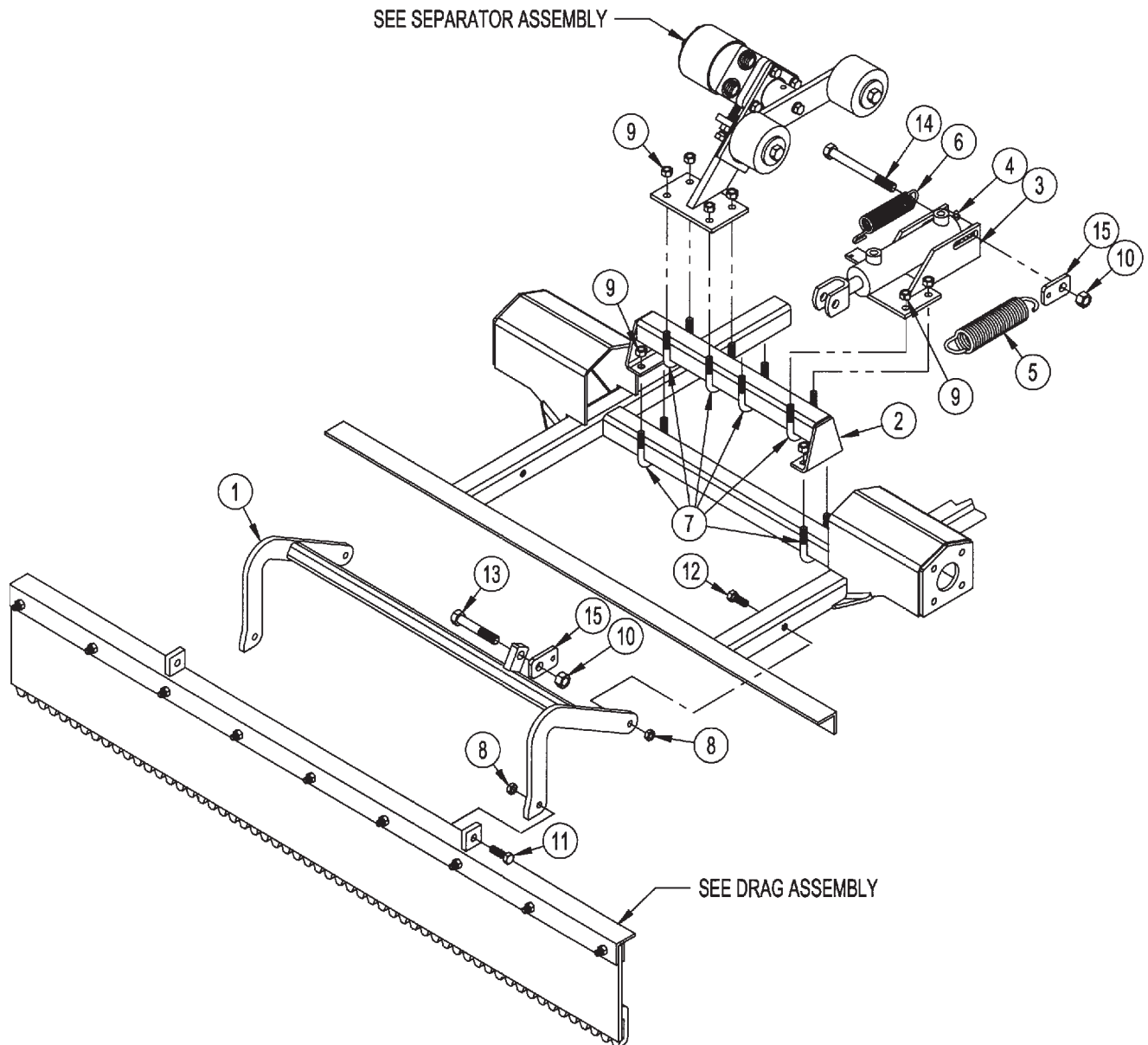
<u>Item</u>	<u>Qty</u>	<u>Part ID</u>	<u>Part Description</u>	<u>Item</u>	<u>Qty</u>	<u>Part ID</u>	<u>Part Description</u>
1	1	M30173	Weldment: Main Frame	48	8	P100806	Bolt: Hex, 1/2" X 1 1/2"
2	1	M30022	Coupler: Conveyor Shaft	49		not pictured	See page 33
3		not pictured	See page 33	50		not pictured	See page 33
4	1	M30047	Shield: Front, Lower	51	1	M5000-9	Key: Square, 5/16" X 3"
5	1	950002	Shield: Front, Upper	52	1	M30139	Lock: Hood
6		not pictured	See page 33	53	1	P100503	Bolt: Hex, 5/16" X 3/4"
7		not pictured	See page 33	54	1	P100506	Bolt: Hex, 5/16" X 1 1/2"
8	1	M30074	See page 33	55	1	M30184	Screen: Woven, 1/2"
9	2	M30075	Conveyor: Hold Down	56	1	M30185	Screen: Woven, 3/4"
10	1	M30070	Shield: Rear	57	1	P136000	Tube: Manual
11		not pictured	See page 33	58	2	P110512	5/16 x 3 Socket hd Cap Screw
12	1	M30172	Point: Digger	59	3	P104403	Bolt: Carriage, 1/4" X 3/4"
13	6	M30079	Spacer: Bumper	60	3	P150400	Nut: Hex, 1/4"
14	1	M30080	Handle: Hopper Door	61	2	P100807	Bolt: Hex, 1/2" X 1 3/4"
15	2	M30081	Bushing: Latch Pivot	62	1	P970001	Decal: Cherrington Right
16	1	M30082	Weldment: Hopper	63	1	P970002	Decal: Cherrington Left
17		not pictured	See page 35	64	1	P970003	Decal: Cherrington Rear
18		not pictured	See page 33	65	2	M30178	Screen Guide
19		not pictured	See page 33	66	8	P104605	Bolt: Carriage, 3/8" X 1 1/4"
20		not pictured	See page 33	67	8	P850106	Washer: Flat, 3/8"
21		not pictured	See page 33	68	8	P150601	Nut: Hex, 3/8"
22	1	P350700	Motor: Hydraulic, Char-Lynn 2000, 104-1026	69	6	P100404	Bolt: Hex, 1/4" x 1"
23	2	P133060	Grommet: Rubber				
24	2	P605000	Pad: Bumper				
25	2	P135101	Bolt: Eye, 3/8"				
26		not pictured	See page 33				
27	8	P851104	Washer: Lock, 1/4"				
28	3	P850104	Washer: Flat, 1/4"				
29	2	P850105	Washer: Flat, 5/16"				
30	4	P850107	Washer: Flat, 7/16"				
31	4	P158003	Nut: Nylock, 1/4"				
32	6	P155300	Nut: Jam, 5/16"				
33	3	P155350	Nut: Top Lock, 5/16"				
34	8	P155400	Nut: Jam, 3/8"				
35	17	P155450	Nut: Top Lock, 3/8"				
36	6	P155850	Nut: Top Lock, 1/2"				
37	6	P157200	Nut: Jam, 1/2"				
38	2	P851108	Washer: Lock, 1/2"				
39	8	P100403	Bolt: Hex, 1/4" X 3/4"				
40	4	P110912	Screw: Cap, Socket Head, 1/4" X 1 1/4"				
41	4	P160251	Nut: Klik, 1/4-20				
42	2	P108508	Screw: Set, 5/16" X 1/2"				
43	2	P108512	Screw: Set, 5/16" X 3/4"				
44	2	P100603	Bolt: Hex, 3/8" X 3/4"				
45	5	P100604	Bolt: Hex, 3/8" X 1"				
46		not pictured	See page 33				
47	2	P100609	Bolt: Hex, 3/8" X 2 1/4"				

CONVEYOR ASSEMBLY



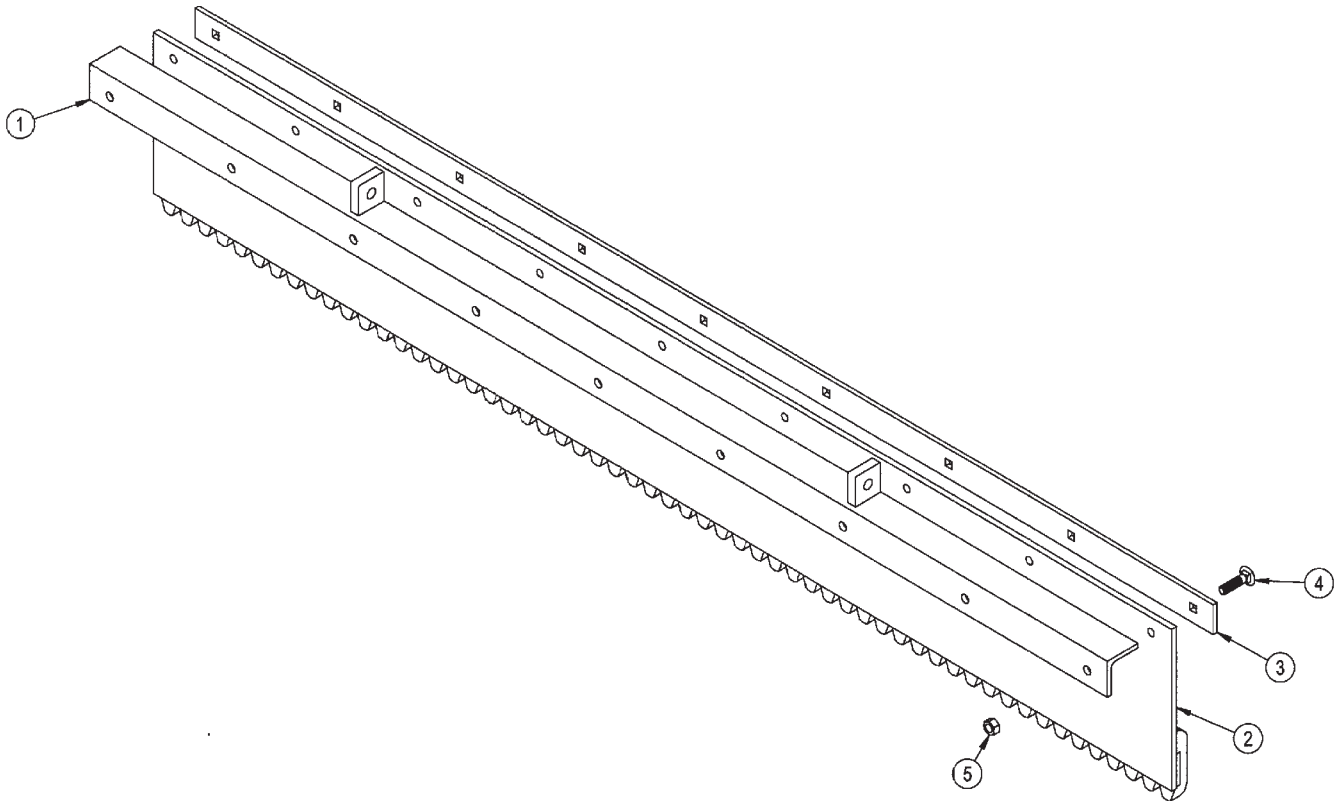
<u>ITEM</u>	<u>QTY</u>	<u>PART NO.</u>	<u>DESCRIPTION</u>
1	1	M30015	FRONT CONVEYOR SHAFT
2	1	M30016	REAR CONVEYOR SHAFT
3	1	M30006	CONVEYOR SUPPORT WELDMENT
4	5	M30073	1-1/4" MODIFIED FLANGE BEARING
5	1	M30007	CONVEYOR ADJUSTMENT BRACKET L
6	1	M30008	CONVEYOR ADJUSTMENT BRACKET R
7	4	M30086	WEAR STRIP
8	2	M30189	CONVEYOR CHAIN WELDMENT
9	1	M30088	3.219 CONVEYOR SHAFT SPACER
10	1	M30089	1.031 CONVEYOR SHAFT SPACER
11	9	M30092	FLIGHT BLADE RIGHT HAND
12	9	M30093	FLIGHT BLADE LEFT HAND
13	4	P852608	1/2" HARD WASHER
14	1	M5009-5	3/16" X 1/2" X 1-3/4" WASHER
15	8	P155350	5/16" TOP LOCK NUT
16	36	P155450	3/8" TOP LOCK NUT
17	12	P155850	1/2" TOP LOCK NUT
18	2	P157200	1/2" JAM NUT
19	8	P103504	5/16-18 X 1.00 FLAT HD CAP SCREW
20	36	P100604	3/8" X 1" HEX BOLT
21	1	P102805	1/2" X 1-1/4" FINE THD HEX BOLT
22	12	P100806	1/2" X 1-1/2" HEX BOLT
23	2	P098810	1/2" X 2-1/2" FULL THD HEX BOLT

GROOMER & SEPARATOR ASSEMBLY



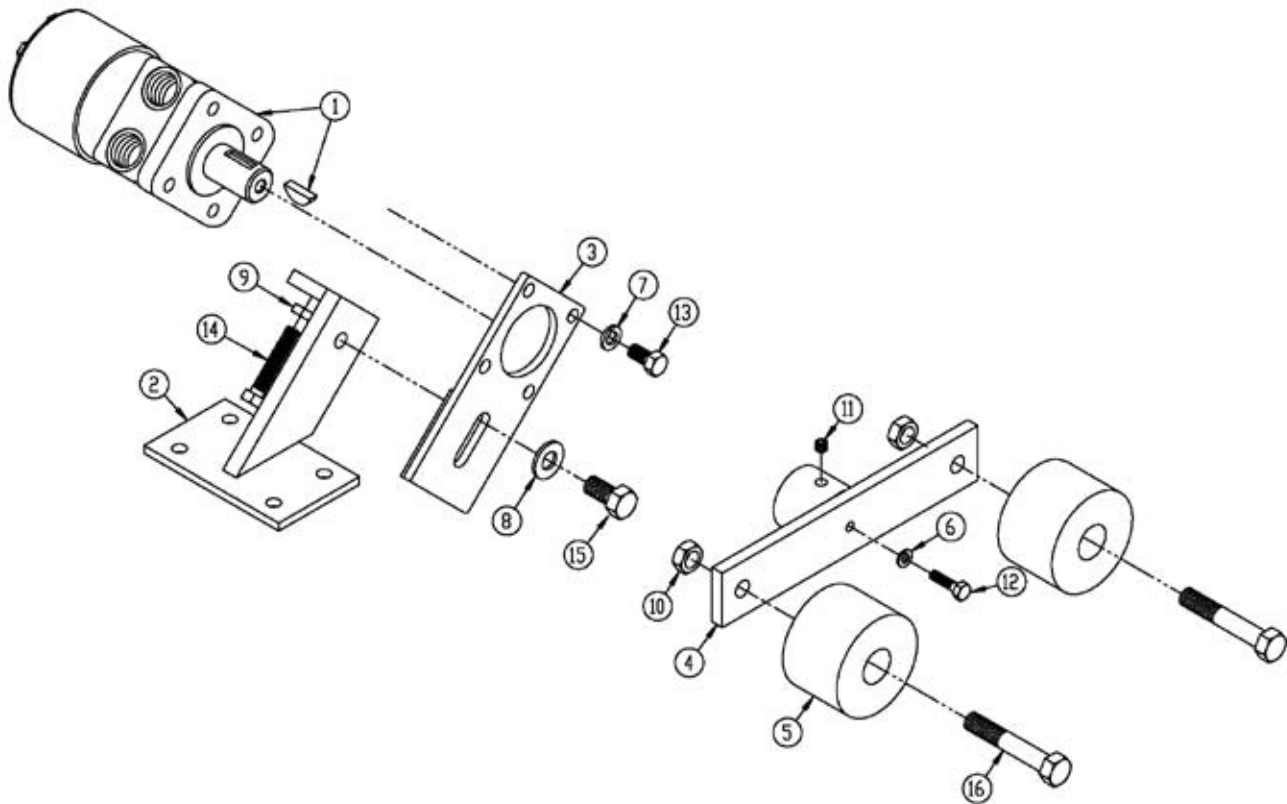
<u>ITEM</u>	<u>QTY</u>	<u>PART NO.</u>	<u>DESCRIPTION</u>
1	1	M30067	LIFT FRAME
2	1	M30110	CONVEYOR RISER BRACKET
3	1	M30023	REAR CYLINDER MOUNT
4	1	P259150	HYDRAULIC CYLINDER 1-1/2" X 4"
*	*	P259151	SEAL KIT
5	1	P601500	EXTENSION SPRING
6	1	P604700	EXTENSION SPRING
7	6	P127204	U-BOLT 3/8" X 1-1/2" X 2-1/4"
8	4	P155400	3/8" JAM NUT
9	12	P155450	3/8" TOP LOCK NUT
10	2	P155850	1/2" TOP LOCK NUT
11	2	P100605	3/8" X 1-1/4" HEX BOLT
12	2	P100609	3/8" X 2-1/4" HEX BOLT
13	1	P100812	1/2" X 3" HEX BOLT
14	1	P100820	1/2" X 5" HEX BOLT
15	2	M30147	SPRING HOLDER

GROOMER BAR ASSEMBLY



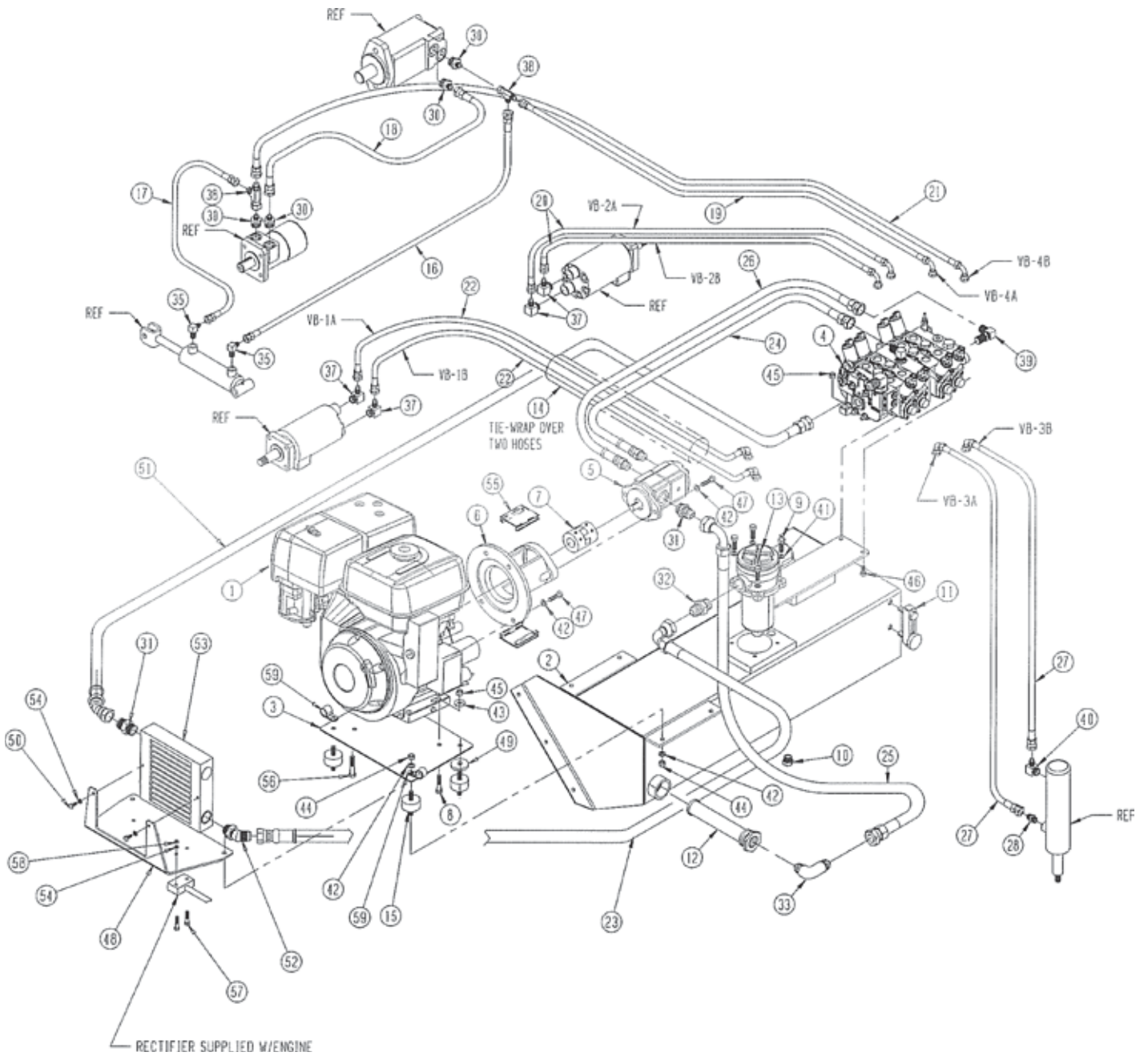
<u>ITEM</u>	<u>QTY</u>	<u>PART NO.</u>	<u>DESCRIPTION</u>
		M30182	GROOMER BAR ASSEMBLY (Includes Items 1-5)
1	1	M30181	DRAG COMB MOUNT
2	1	M30183	SNOW COMB
3	1	M30180	DRAG COMB STRAP
4	9	P104505	5/16" X 1-1/4" CARRIAGE BOLT
5	9	P155350	5/16" TOP LOCK NUT

SEPARATOR ASSEMBLY



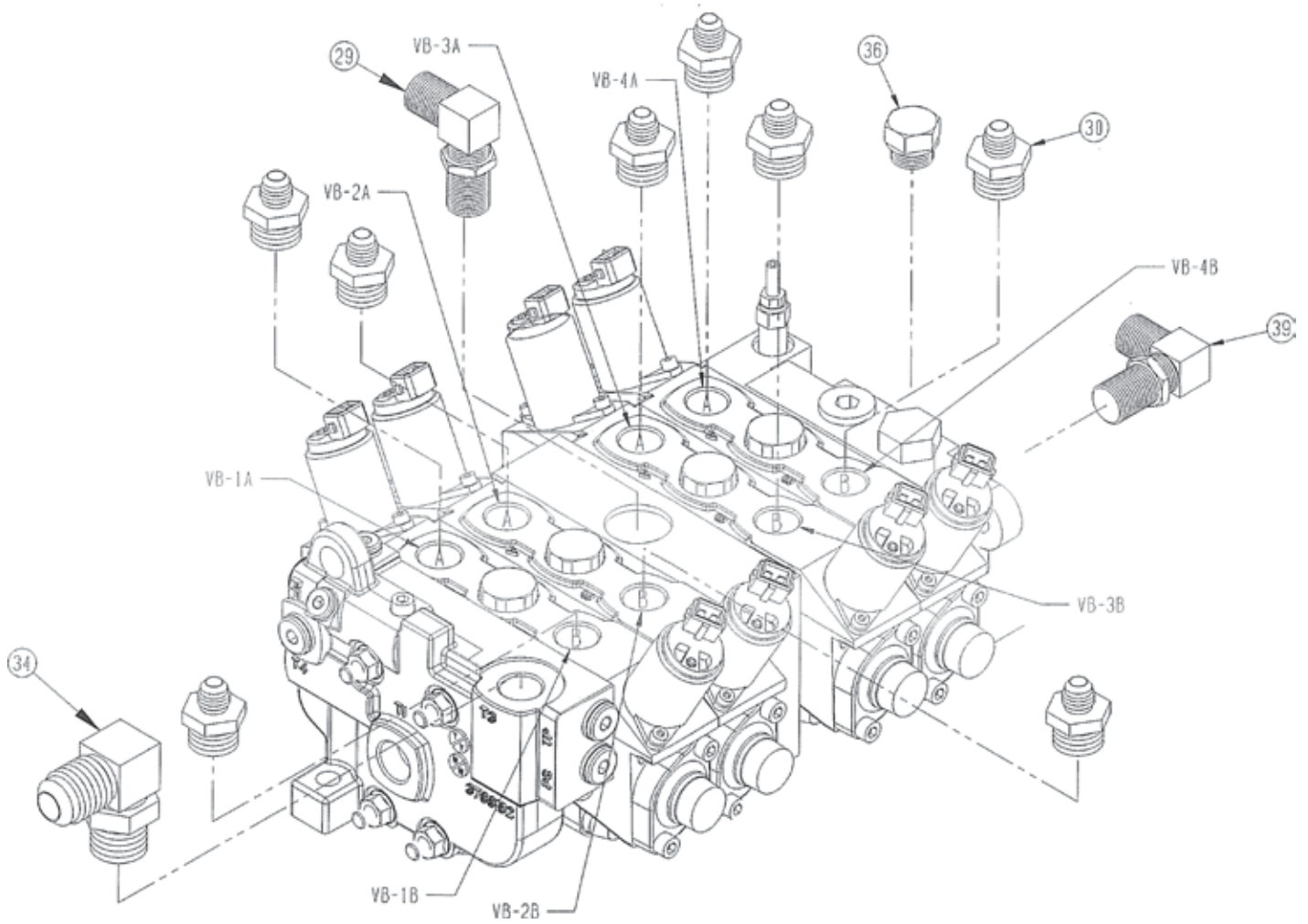
<u>ITEM</u>	<u>QTY</u>	<u>PART#</u>	<u>DESCRIPTION</u>
1	1	P350500	PARKER MOTOR TC0130FS100AAA
*	*	P350501	SEAL KIT
2	1	M30018	SEPARATOR MOUNT
3	1	M30019	SEPARATOR MOTOR MOUNT
4	1	M30020	SEPARATOR ARM
5	2	P761100	SNUGULATOR 2500BD1X
6	1	P851104	1/4" LOCK WASHER
7	4	P851106	3/8" LOCK WASHER
8	1	P852608	1/2" HARD WASHER
9	1	P155400	3/8" JAM NUT
10	2	P157200	1/2" JAM NUT
11	1	P108505	5/16" X 5/16" SET SCREW
12	1	P100404	1/4" X 1" HEX BOLT
13	4	P100603	3/8" X 3/4" HEX BOLT
14	1	P098608	3/8" X 2" FULL THD HEX BOLT
15	1	P100804	1/2" X 1" HEX BOLT
16	2	P100812	1/2" X 3" HEX BOLT

HYDRAULIC ASSEMBLY



See part number reference on page 38.

HYDRAULIC ASSEMBLY



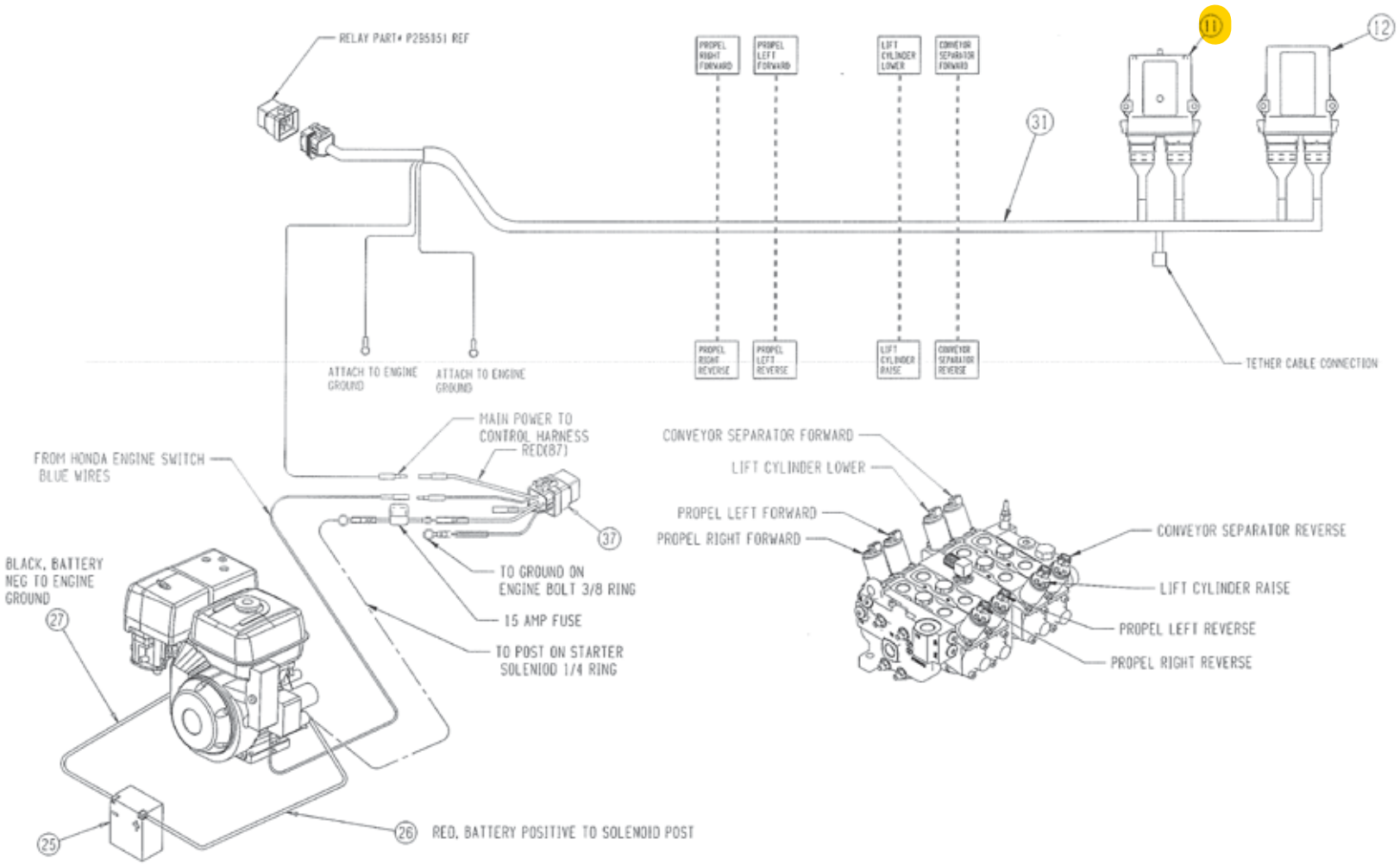
See part number reference on page 38.

HYDRAULIC ASSEMBLY

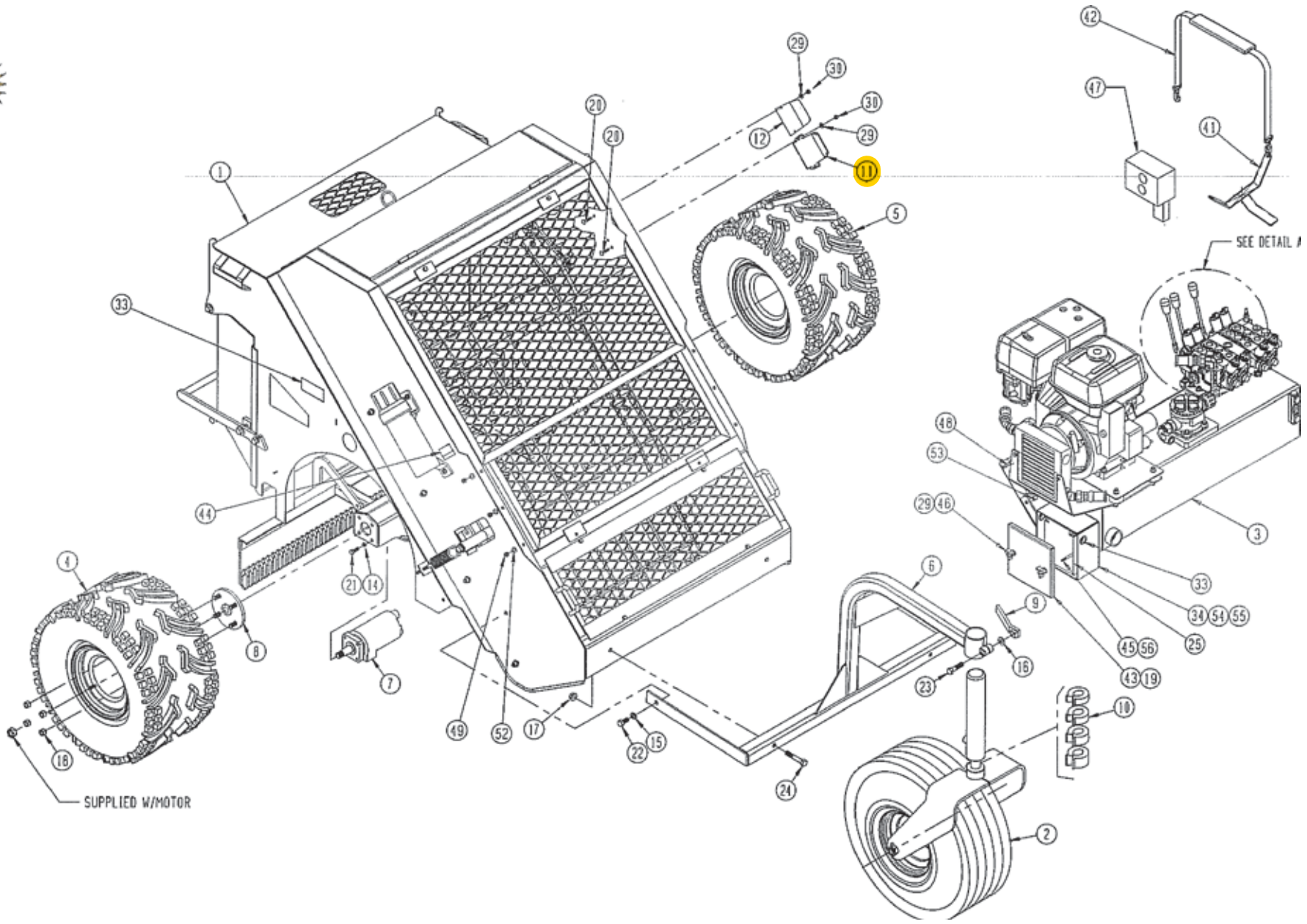
<u>ITEM</u>	<u>QTY</u>	<u>PART NO.</u>	<u>DESCRIPTION</u>
1	1	950037	11 HP HONDA MOTOR ELECTRIC START
2	1	950006	950 HYDRAULIC RESEVIOR
3	1	950030	ENGINE MOUNT PLATE
4	1	P375010	PARKER HYDRAULIC VAVLE ASSM
5	1	P359100	PUMP: GEAR, PARKER TANDEM (950)
6	1	P361100	ADAPTER: PUMP MOTOR
7	1	P370020	COUPLING: DRIVE,1" - 5/8"
8	2	P100607	3/8 X 1-3/4 HEX BOLT
9	4	P100504	5/16 X 1 HEX BOLT
10	1	P278005	#8 O-RING PLUG
11	1	P297305	SIGHT LEVEL - TEMP GAGE
12	1	P610500	TANK STRAINER: (950) S15-100
13*	1	P371840	MPT100 FILTER HOUSNG ASSY
14	2.5 ft	R99000105	SLEEVING: #24 - CORDURA (950)
15	4	P133030	RUBBER MOUNT:7/8" 8180-3035 COURSE THREAD
16	1	P246251	HOSE: 4D6 X 50" 4FJX 6FJX
17	1	P244160	HOSE: D6-4 X 16" 4FJX 6FJX
18	1	P248042	HOSE: 6D6 X 42" 6FJX 6FJX
19	1	P248041	HOSE: 6D6 X 41" 6FJX 6FJX90
20	2	P248070	HOSE: 6D6 X 70" 6FJX 6FJX90
21	1	P248066	HOSE: 6D6 X 66" 6FJX 6FJX90
22	2	P248088	HOSE: 6D6 X 88" 6FJX 6FJX90
23	1	P255994	HOSE: 12D6 X 24" 12FJX 12FJX90
24	1	P251024	HOSE: 8D6 X 24" 8MB 8FJX
25	1	P255971	HOSE: 3/4"SUCTION X 21" 12FJX 12FJX90
26	1	P251636	HOSE: 8D6 X 36" 8MB 8FJX
27	2	P246241	HOSE: 4D6 X 41" 6FJX 6FJX90
28	1	P276101	FITTING: 6MJ 6MB
29	1	P261010	FITTING: 8MJ 8MB90 ELBOW
30	12	P276215	FITTING: 6MJ 10MB
31	2	P276450	FITTING: 12MJ 12MB
32	1	P277100	FITTING: 12MJ 16MB
33	1	P268850	FITTING: 16MP 12MJ90 ELBOW
34	1	P276470	FITTING: 12MJ 10MB 90° ELBOW
35	2	P261410	FITTING: 4MJ 4MP90
36	1	P270920	PLUG: 10 MB
37	4	P261530	FITTING: 6MJ 8MB90
38	2	P265550	FITTING: 6FJX 6MJ 6MJ TEE
39	1	P261610	FITTING: 8MJ 10MB90
40	1	P261350	FITTING: 6MJ 6MB90
41	4	P851105	WASHER: LOCK 5/16"
42	14	P851106	WASHER: LOCK 3/8"
43	4	P850806	WASHER: FLAT 3/8" SAE GR8
44	8	P150600	HEX NUT: 3/8" PLATED
45	7	P155450	NUT: 3/8" TOP-LOCK
46	3	P100606	HEX BOLT:3/8" X 1-1/2"GR.5Z
47	8	P100605	HEX BOLT:3/8" X 1 1/4"GR5Z
48	1	950013	MOUNT: OIL COOLER
49	2	M5009-5	WASHER: 3/16 X 1/2 X 1-3/4
50	2	P103820	HEX BOLT: 6MM X 16 MM
51	1	P255938	HOSE: D6-12 X 38" 12FJX 12FJX45
52	1	P276515	FITTING: 12MJ 12MB 45
53	1	P610200	OIL COOLER
54	4	P851104	WASHER: LOCK 1/4" GALV
55	2	P370021	CAP: PUMP DRIVE
56	2	P100608	BOLT: HEX, 3/8"NC X 2" GR5 ZN
57	2	P100404	BOLT: HEX, 1/4"NC X 1"GR5 ZN
58	2	P155250	NUT: HEX, 1/4" TOP-LOCK
59	2	P128908	CLAMP: TUBING, INSULATED 3/8, 3/8 MT

71.P371841 REPLACEMENT HYDRAULIC FILTER ONLY

DRIVE ASSEMBLY - WIRING DIAGRAM



See part number reference on page 41.



DRIVE ASSEMBLY

DRIVE ASSEMBLY

<u>ITEM</u>	<u>QTY</u>	<u>PART ID</u>	<u>PART DESCRIPTION</u>
1	1	M30000	ASSEMBLY: MAIN
2	1	M30124	ASSEMBLY: CASTER WHEEL
3	1	950031	ASSEMBLY: HYDRAULIC, 950C
4	1	M30140	ASSEMBLY: WHEEL AND TIRE, RIGHT
5	1	M30141	ASSEMBLY: WHEEL AND TIRE, LEFT
6	1	M30113	MOUNT: CASTER PIVOT
7	2	P350800	MOTOR: PARKER (TEO295FR250AAA)
8	2	P758000	HUB, 4 BOLT
9	1	M6415	HANDLE: CASTER
10	1	P781000	STROKE CONTROL SET: (7/8", 1", 1 1/4", 1 1/2")
11	1	P296841	REMOTE CONTROL RECEIVER: CERVIS * SEE RECEIVER CONVERSION NOTES PAGE
12	1	P296815	CONTROLLER: DVC 7
13	1	P002020	CHARGER: BATTERY, (AA)
14	8	P851106	WASHER: LOCK, 3/8"
15	2	P851108	WASHER: LOCK, 1/2"
16	1	P852608	WASHER: HARD, 1/2"
17	2	P155850	NUT: TOP LOCK, 1/2"
18	8	P756165	NUT: WHEEL, 1/2"-20
19	2	R96573075	WEATHER STRIP 3/4 X 3/4 X 5 LG
20	4	P104405	BOLT: CARRIAGE, 1/4" X 1 1/4"
21	8	P100604	BOLT: HEX, 3/8" X 1"
22	2	P100804	BOLT: HEX, 1/2" X 1"
23	1	P102808	BOLT: HEX, FINE THREAD, 1/2" X 2"
24	2	P100812	BOLT: HEX, 1/2" X 3"
25	1	P002200	BATTERY 14 LA
26	1	950038	CABLE: BATTERY RED
27	1	950039	CABLE: BATTERY BLACK
28	1	M30200	CRATE: SHIPPING
29	6	P850104	WASHER: FLAT, 1/4"
30	4	P158003	NUT: NYLOCK, 1/4"
31	1	950040	HARNESS: WIRING, HONDA ELECTRIC START
32	1	P974000	DECAL: STANDARD CE SHEET
33	2	P979501	DECAL: 950
34	1	950032	MOUNT: BATTERY BOX
35	1	P610600	HOSE: OIL DRAIN (NOT SHOWN)
36	1	P371670	FILTER: FUEL
37	1	950033	ASSM: POWER RELAY
38	2	P297625	GROMMET
39	1	P297310	GAUGE: TIRE PRESSURE
40	1	P296817	REMOTE TEATHERED CABLE
41	1	950024	REMOTE CONTROL MOUNT
42	1	M30150	REMOTE CONTROL CARRIER STRAP
43	1	950036	BATTERY COVER
44	1	P370190	HOURMETER
45	2	P107420	STUD: HEX, 1/4" X 5" NC STAINLESS
46	2	P308150	KNOB: TRI LOBE 1/4 -20 NC
47	1	P296840	REMOTE CONTROL HANDHELD CERVIS
48	4	P100503	BOLT: HEX, 5/16" X 3/4"
49	6	P155350	NUT: TOP LOCK, 5/16"
50	2	M30105	SHIPPING STRAP (not shown)
51	1	P970004	DECAL CE REPRESENTATION
52	8	P850105	WASHER: 5/8 FLAT
53	2	P100504	BOLT: HEX 5/16" X 1"

CBC MDL 950 SN# 95BBB081 THRU 95CBF320

Units within the provided serial number range are equipped with CERVIS SMART RECEIVER dual port PN# 71.P296841

CERVIS SMART RECEIVER DUAL PORT 71.P296841 IS A DISCONTINUED ITEM WITH LIMITED AVAILIBLTY WHEN CURRENT INVENTORY IS DEPLETED A CONVERSION WILL BE REQUIRED TO REPLACE.

OPTION A - CONVERSION ITEMS REQUIRED TO REPLACE 71.P296841 SMART RECEIVER DUAL PORT
(conversion will retain / utilize the original main chassis wiring harness)

71.P296839 ADAPTER HARNESS: DUAL PORT CONNECTOR TO SINGLE PORT CONNECTOR

71.P296843 CERVIS SMART RECEIVER SINGLE PORT

OPTION B - CONVERSION TO REPLACE 71.P296841 SMART RECEIVER DUAL PORT
(conversion will replace / update main chassis harness)

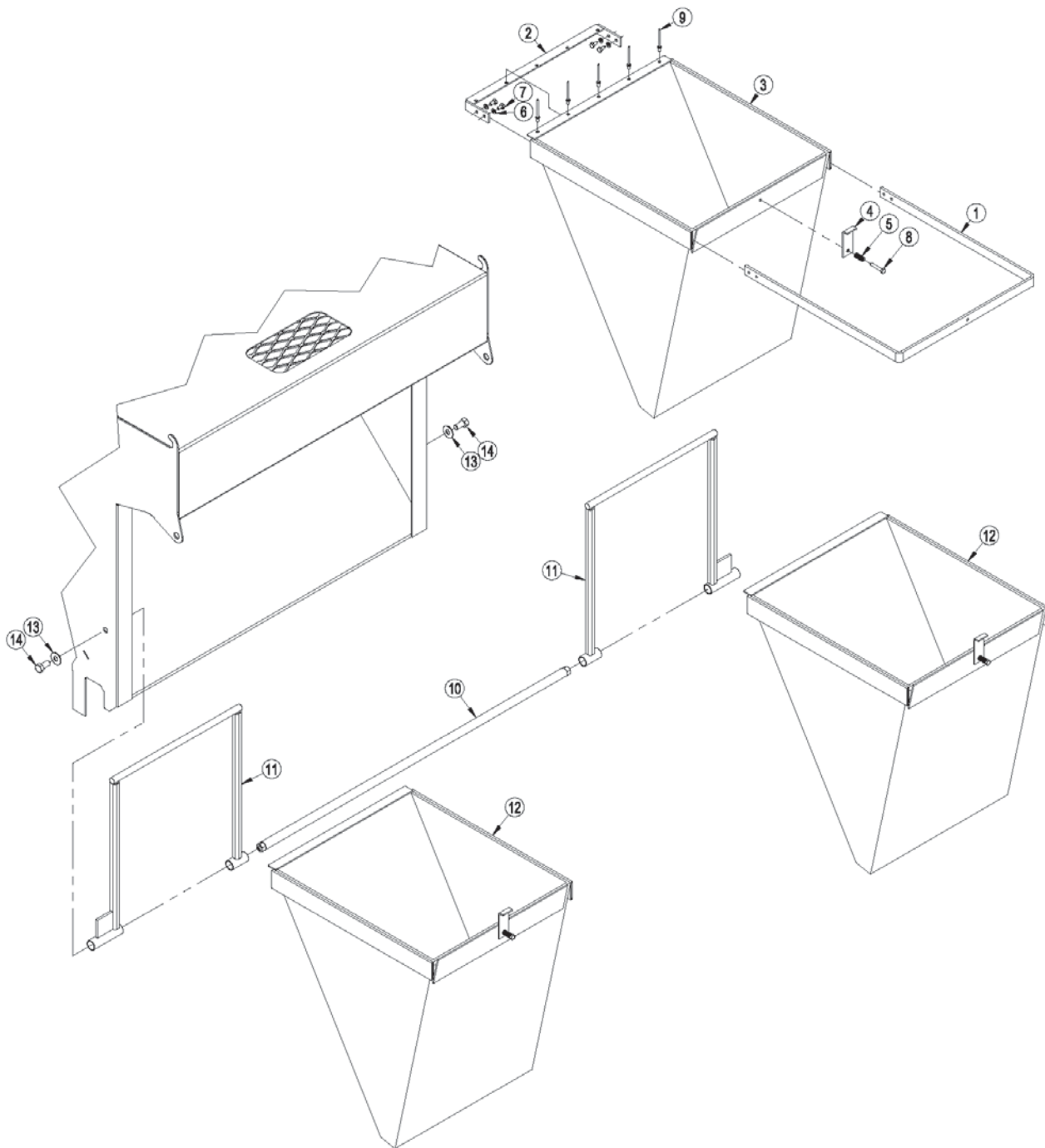
71.P296828 950 MAIN CHASSIS HARNESS SINGLE PORT

71.P296843 CERVIS SMART RECEIVER SINGLE PORT



OPTIONAL COLLECTION BAG ASSEMBLY

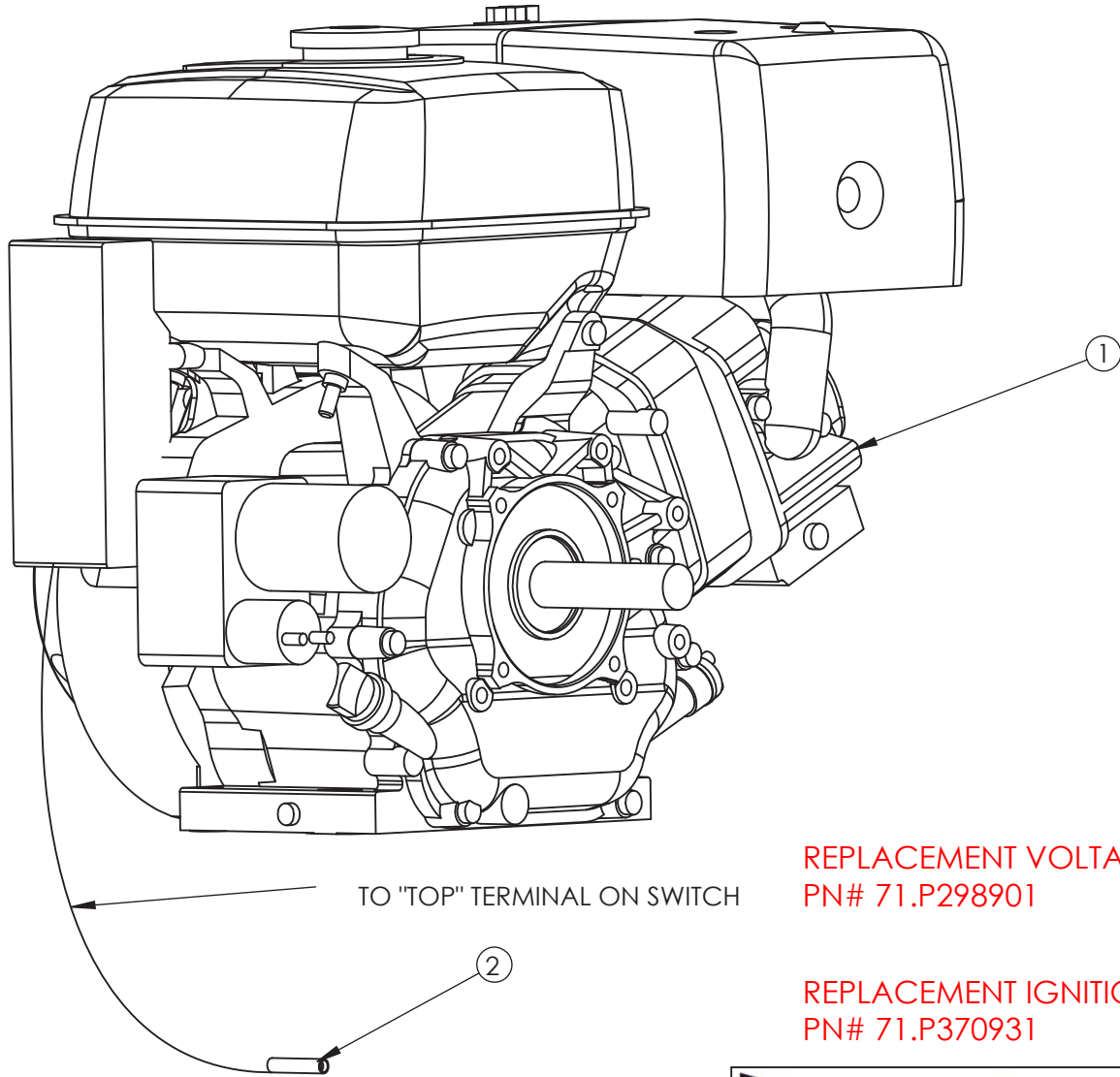
A collection bag assembly is available as an add-on option to your Model 950.



OPTIONAL COLLECTION BAG ASSEMBLY

<u>Item</u>	<u>Qty</u>	<u>Part ID</u>	<u>Description</u>
1	1	M30157	BAGGER TOP HOLDER
2	1	M30158	TOP HOLDER BRACKET
3	1	M30159	COLLECTION BAG
4	1	M30161	BAG LATCH
5	1	P601050	SPRING: COMPRESSION, .48 OD X 1"
6	4	P851104	WASHER: LOCK, 1/4"
7	4	P100402	BOLT: HEX, 1/4" X 1/2"
8	1	P100406	BOLT: HEX, 1/4" X 1 1/2"
9	5	P126272	POP RIVET: LARGE FLANGE, 1/8" X 3/8"
10	1	M30156	BAGGER CROSS BAR
11	2	M30155	BAGGER MOUNT
12	2	M30162	COLLECTION BAG ASSEMBLY
13	2	P850107	WASHER: FLAT, 7/16"
14	2	P100804	BOLT: HEX, 1/2" X 1"

PART NO. 950037



REPLACEMENT VOLTAGE REGULATOR / RECTIFIER
PN# 71.P298901

REPLACEMENT IGNITION SWITCH
PN# 71.P370931

TO "TOP" TERMINAL ON SWITCH

3	R99000606	WIRE BLUE 16 GA X 12"	
2	P297564	TERM; FEMALE BULLET .156 SEALED	1
1	P370930	11 HP HONDA ENGINE ELE START	1
ITEM NO.	PART NUMBER	DESCRIPTION	QTY.



P.O. BOX 2135
JAMESTOWN, ND 58402

DRAWN BY XXX

PROPRIETARY AND CONFIDENTIAL
THE INFORMATION CONTAINED IN THIS DRAWING IS THE SOLE PROPERTY OF CHERRINGTON. ANY REPRODUCTION IN PART OR AS A WHOLE WITHOUT THE WRITTEN PERMISSION OF CHERRINGTON IS PROHIBITED.

UNLESS OTHERWISE NOTED
TOLERANCES ON
DECIMALS FRACTIONS ANGLES
.XX±.060 ±1/32 ±1°
.XXX±.030

DATE XX/XX/XX

DO NOT SCALE

PAGE X of X

TITLE
ASSY; 11 HP HONDA W/LEAD

PART NO.
950037

Pur/Mfg
X