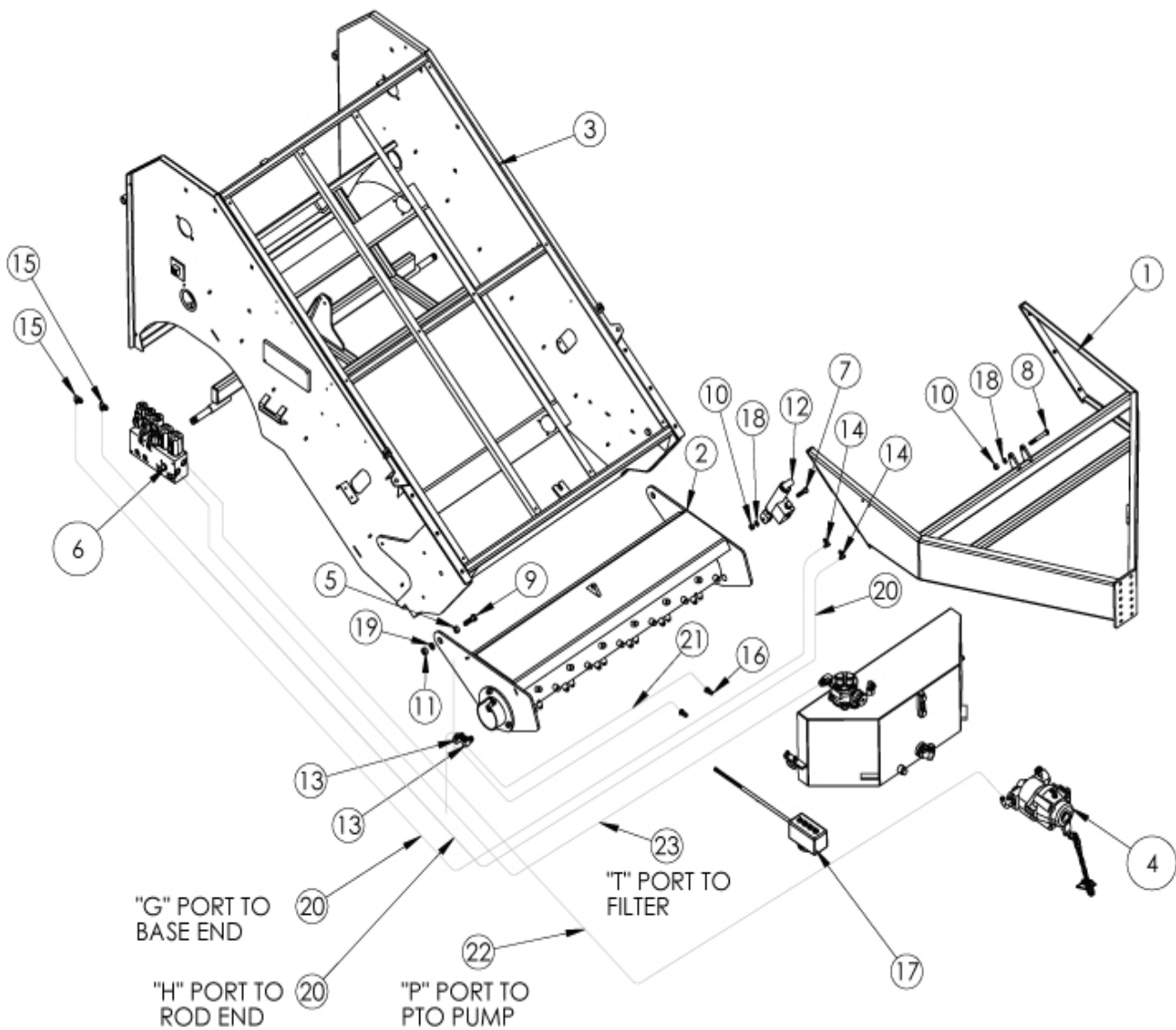


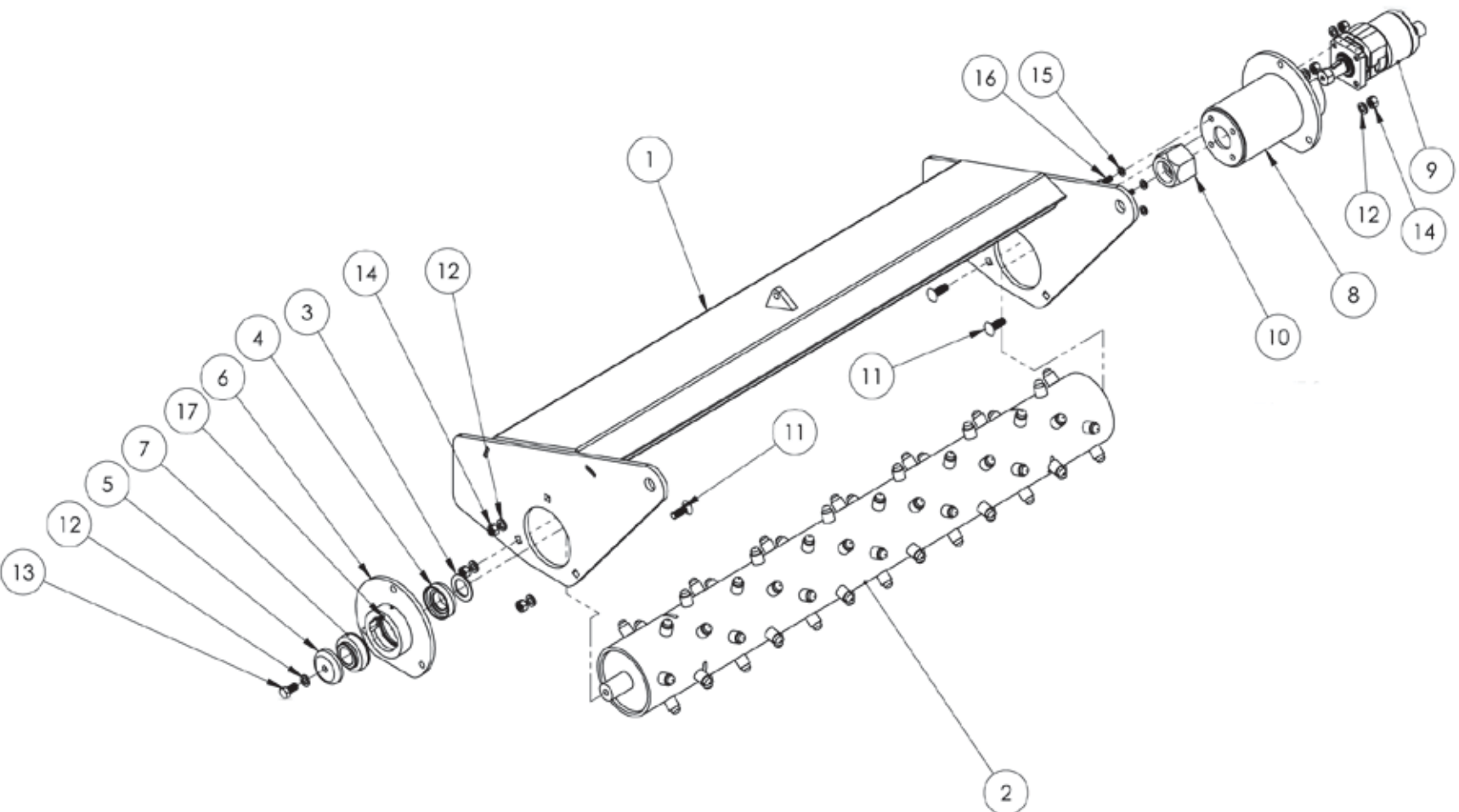
440RD BASE ASSEMBLY SCHEMATIC



440RD BASE ASSEMBLY LEGEND

<u>ITEM NO.</u>	<u>QTY.</u>	<u>PART NO.</u>	<u>DESCRIPTION</u>
1	1	700019	HITCH WELD LONG
2	1	700043	POWER RAKE ASSEMBLY
3	1	700046	MAIN FRAME WELDMENT
4	1	700102	KIT: PTO PUMP ASM
5	2	CP0018	BUSHING: 1" X 5/8" X .438"
6	1	M40182	VALVE ASM: XL MANIFOLD
7	1	P100807	1/2-13 X 1-3/4" HEX BOLT
8	1	P100815	BOLT: HEX, 1/2-13 NC X 3 3/4" GR.5
9	2	P101008	BOLT: HEX, 5/8-11 NC X 2
10	2	P155850	NUT: HEX, 1/2" TOP-LOCK
11	2	P157500	NUT: HEX, 5/8"-11 TOP-LOCK
12	1	P259160	CYLINDER: 1-1/2B X 4S W/CAV CH
13	2	P261010	ELBOW 8MB-8MJ90°
14	2	P261400	FITTING: 4MJ 4MB90
15	2	P261460	FITTING: 4MJ 6MB90
16	2	P272661	COUPLER, MALE HYD
17	1	P296860	ASSM; XL CONTROL BOX
18	2	P851108	1/2" LOCK WASHER
19	2	P851110	WASHER: LOCK 5/8"
20	2	P262097	HOSE: D6-4 X 97" 4FJX 4FJX
21	2	P264102	HOSE: D6-8 X 102" 10MB 8FJX
22	1	P264133	HOSE: D6-8 X 133" 8FJX 8FJX
23	1	P266068	HOSE: D6-12 X 68" 12FJX 8FJX

440RD ROLLER ASSEMBLY SCHEMATIC



440RD ROLLER ASSEMBLY LEGEND

<u>ITEM</u>	<u>QTY</u>	<u>PART#</u>	<u>DESCRIPTION</u>
1	1	700034	FRAME: POWER RAKE 700
2	1	700023	ROLLER ASM
3	1	P855122	BUSH: N.R.MACH 10GA. X 1 3/8"
4	1	CP0016	COLLAR: IPTCI 1-3/8" BEARING
5	1	CP0017	CAP: IPTCI 1-3/8" BEARING
6	1	700035	BEARING HOUSING WLD: 1-3/8"
7	1	P009501	BEARING INSERT: 1 3/8"
8	1	700036	MOTOR HOUSING WLD: RAKE
9	1	700092	MOTOR, HYD MODIFIED
10	1	CP0020	DRIVER HUB: 1" TAPER X 2.5 HEX
11	6	P104806	BOLT: CARRIAGE, 1/2" X 1-1/2" GR5
12	7	P851108	WASHER: LOCK 1/2"
13	1	P100804	BOLT: HEX, 1/2" X 1"GR.5ZINC
14	6	P150800	NUT: HEX, 1/2" PLATED
15	4	P851106	WASHER: LOCK 3/8"
16	4	P100604	BOLT: HEX, 3/8"NC X 1"GR5 ZN
17	1	P620200	FITTING: GREASE, 1/4"-28 STRT